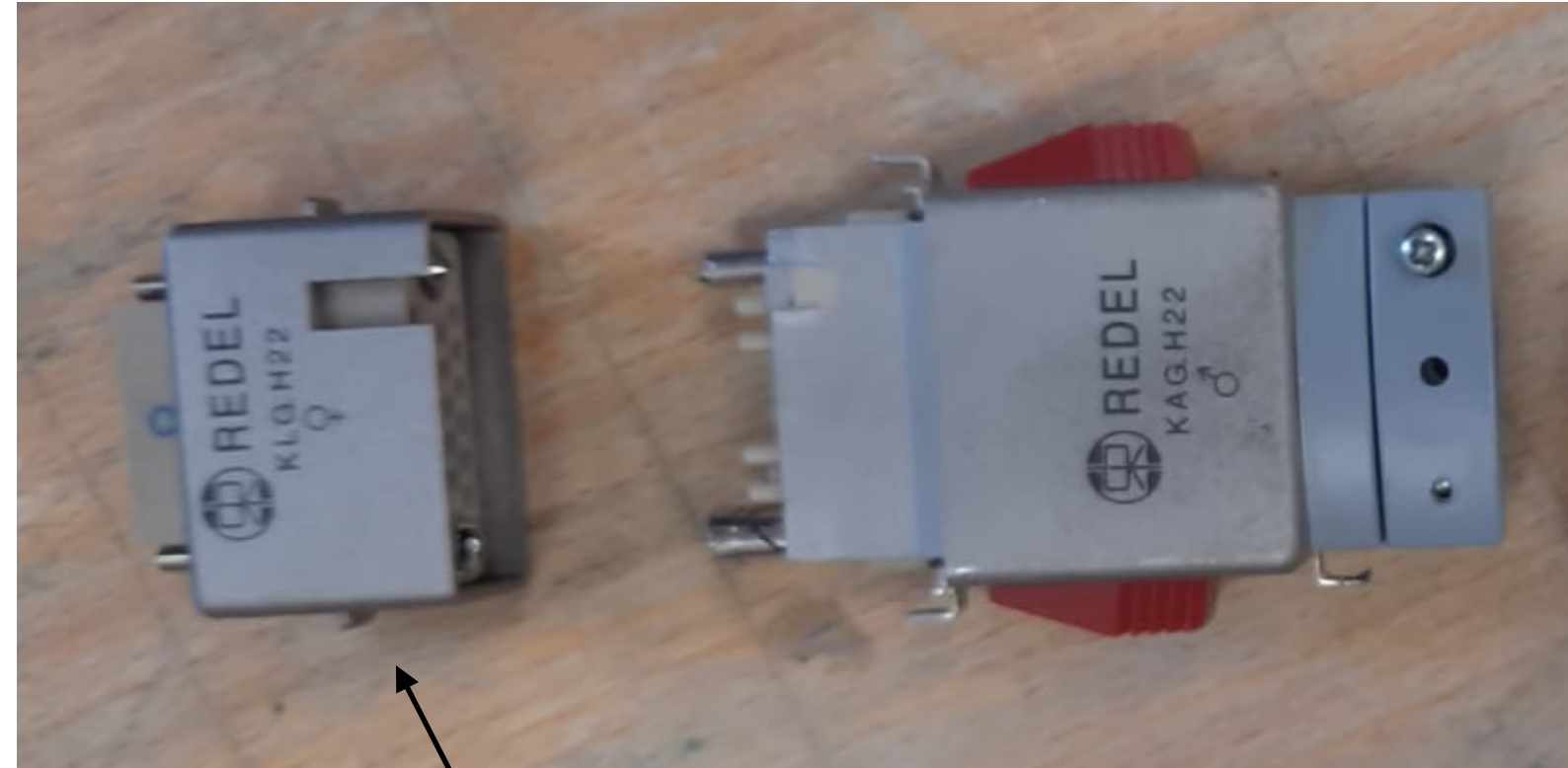
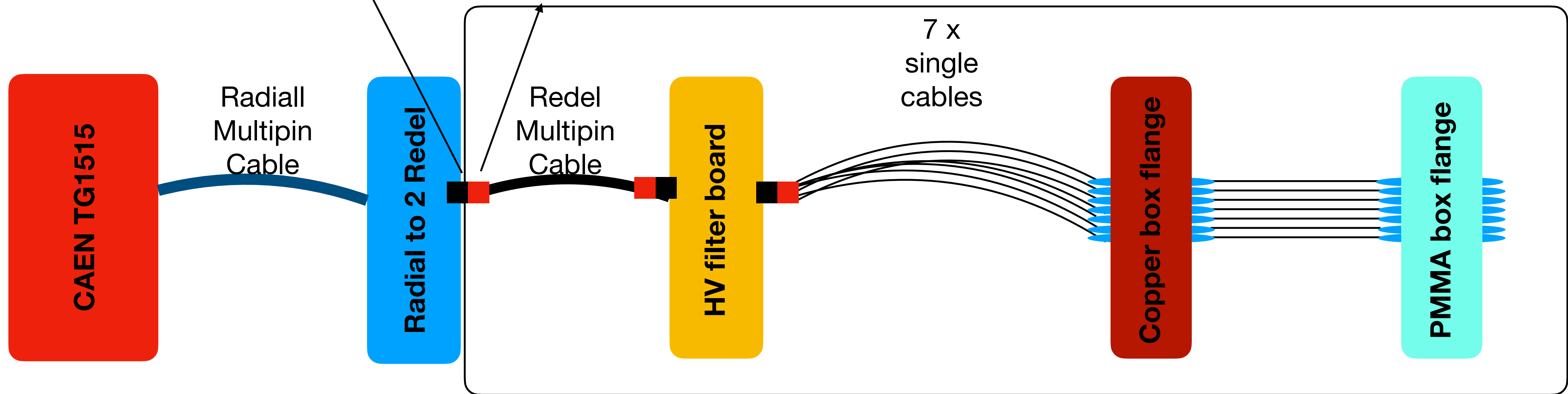


HV scheme

# Layout



2 x



# HV filter Layout

$R = 1M$

$C = 2200pF$

