

All gates implemented with De Morgan  
 Terminations on the following receivers  
 Terminations for non-used outputs close to drivers  
 All 50Ω terminated lines to be implemented as 50Ω adapted traces

DISCRIMINATOR

File: HDRa\_Trig\_Discr.kicad\_sch

I-O-PWR

File: HDRa\_Trig\_I-O-PWR.kicad\_sch

Autori: E. Romano – R. Ferrari  
 Università degli Studi di Pavia – INFN sez. Pavia

Sheet: /  
 File: HDRa\_Trigger.kicad\_sch

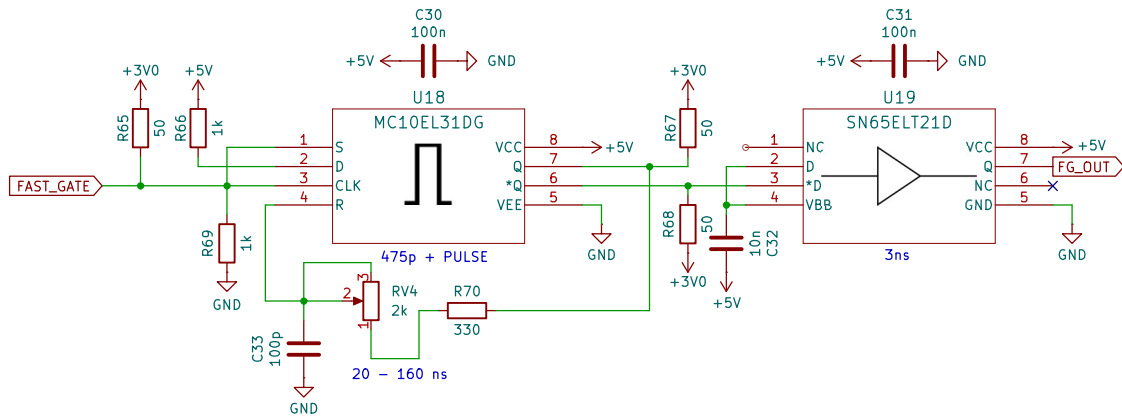
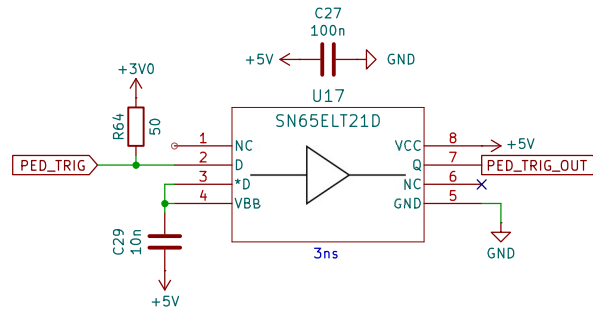
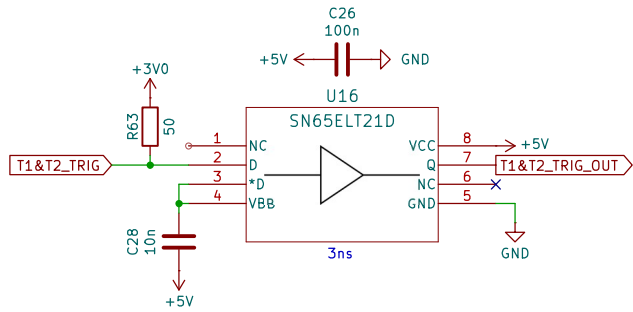
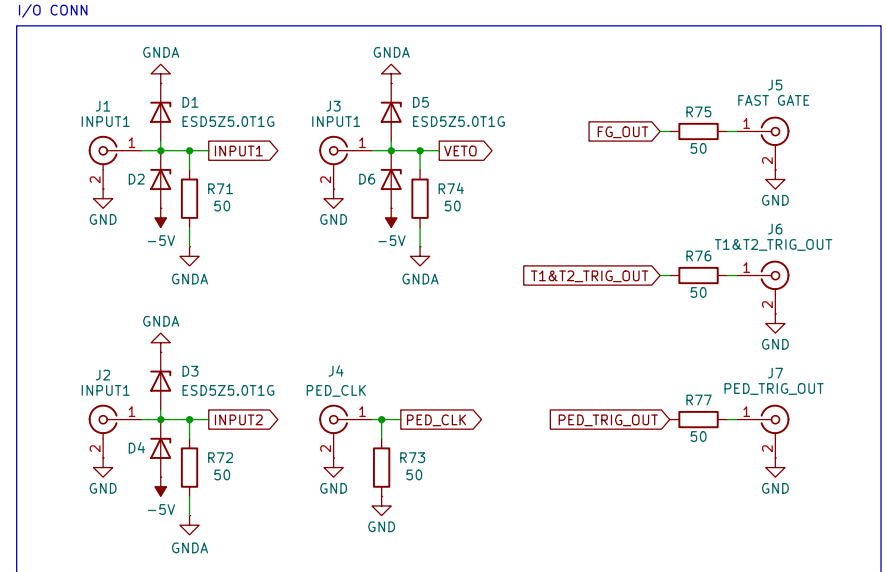
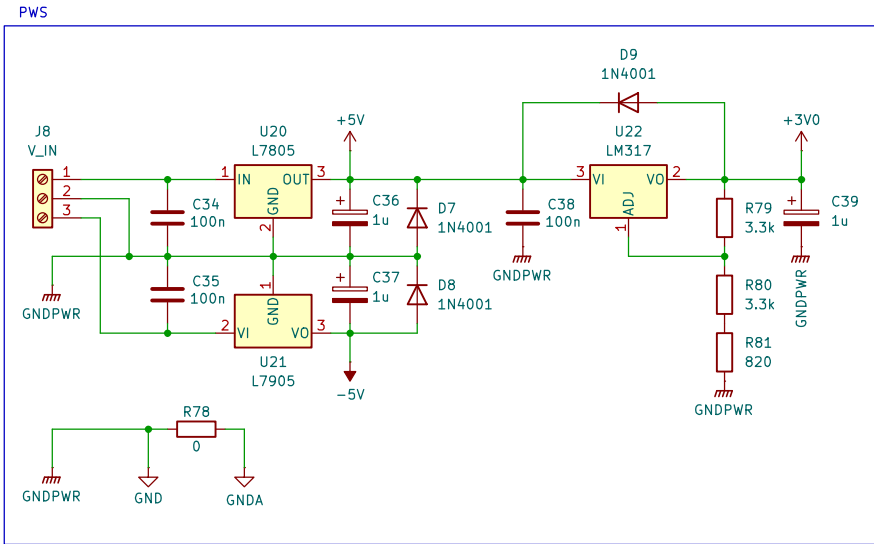
**Title: HDRa\_Proto\_Trig**

Size: A3 Date: 28/02/25

KiCad E.D.A. 8.0.8

Rev: 1.0

Id: 1/3



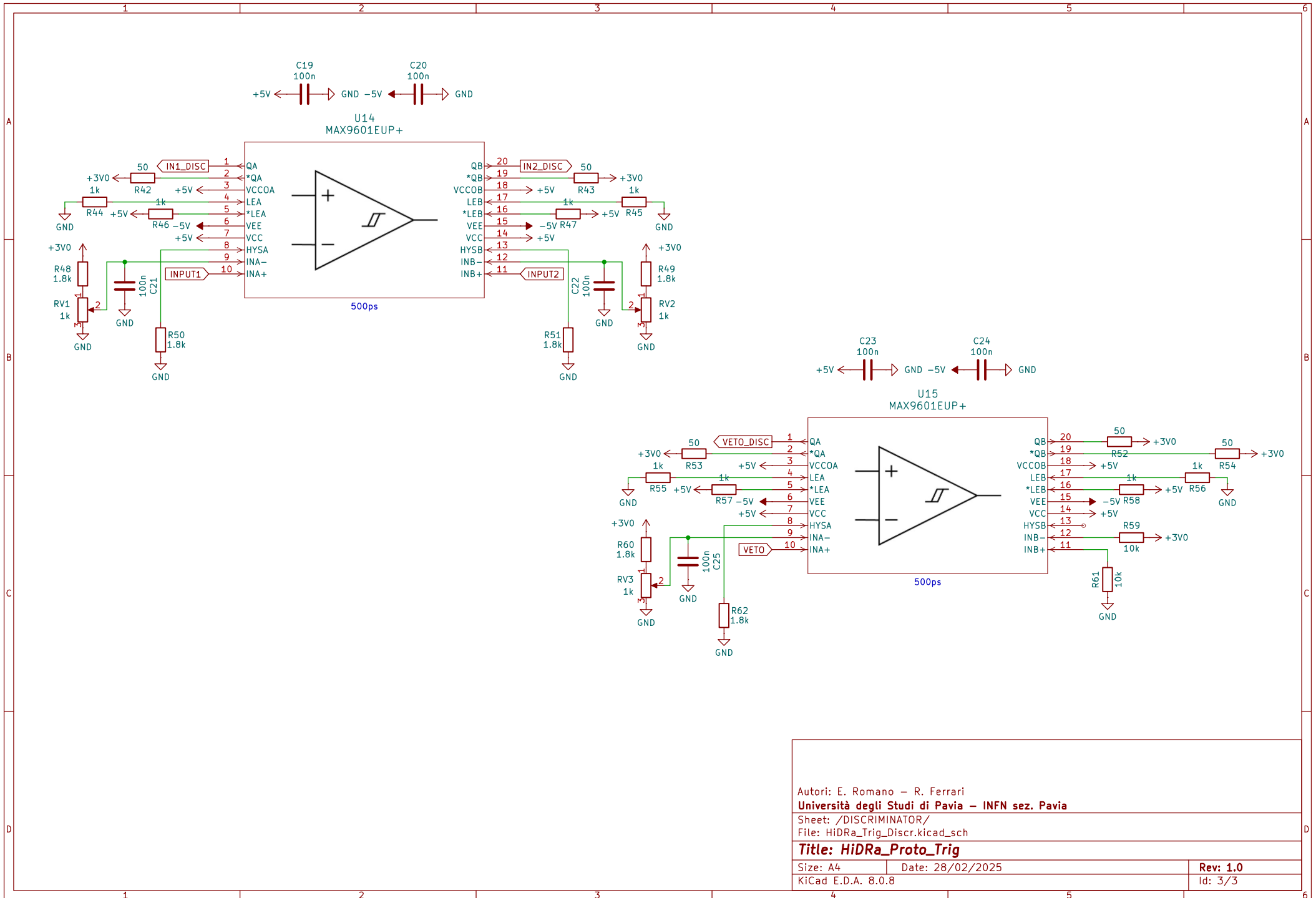
Autori: E. Romano – R. Ferrari  
 Università degli Studi di Pavia – INFN sez. Pavia

Sheet: /I-O-PWR/  
 File: HiDRa\_Trig\_I-O-PWR.kicad.sch

**Title: HiDRa\_Proto\_Trig**

Size: A4 | Date: 28/02/2025  
 KiCad E.D.A. 8.0.8

Rev: 1.0  
 Id: 2/3



Autori: E. Romano – R. Ferrari  
 Università degli Studi di Pavia – INFN sez. Pavia

Sheet: /DISCRIMINATOR/  
 File: HiDRa\_Trig\_Discr.kicad\_sch

**Title: HiDRa\_Proto\_Trig**

Size: A4 Date: 28/02/2025

KiCad E.D.A. 8.0.8

Rev: 1.0

Id: 3/3