

CYGNO04 DAQ

Herman Lima

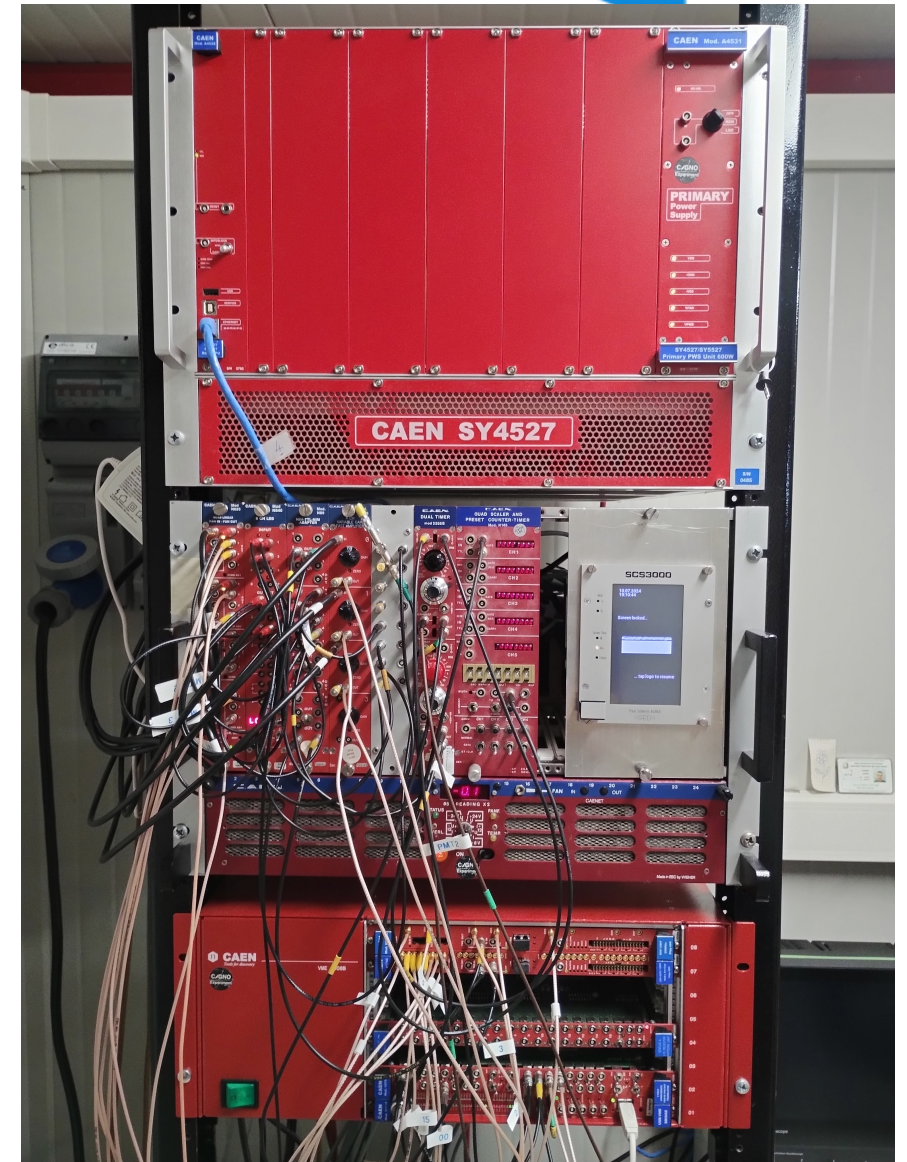
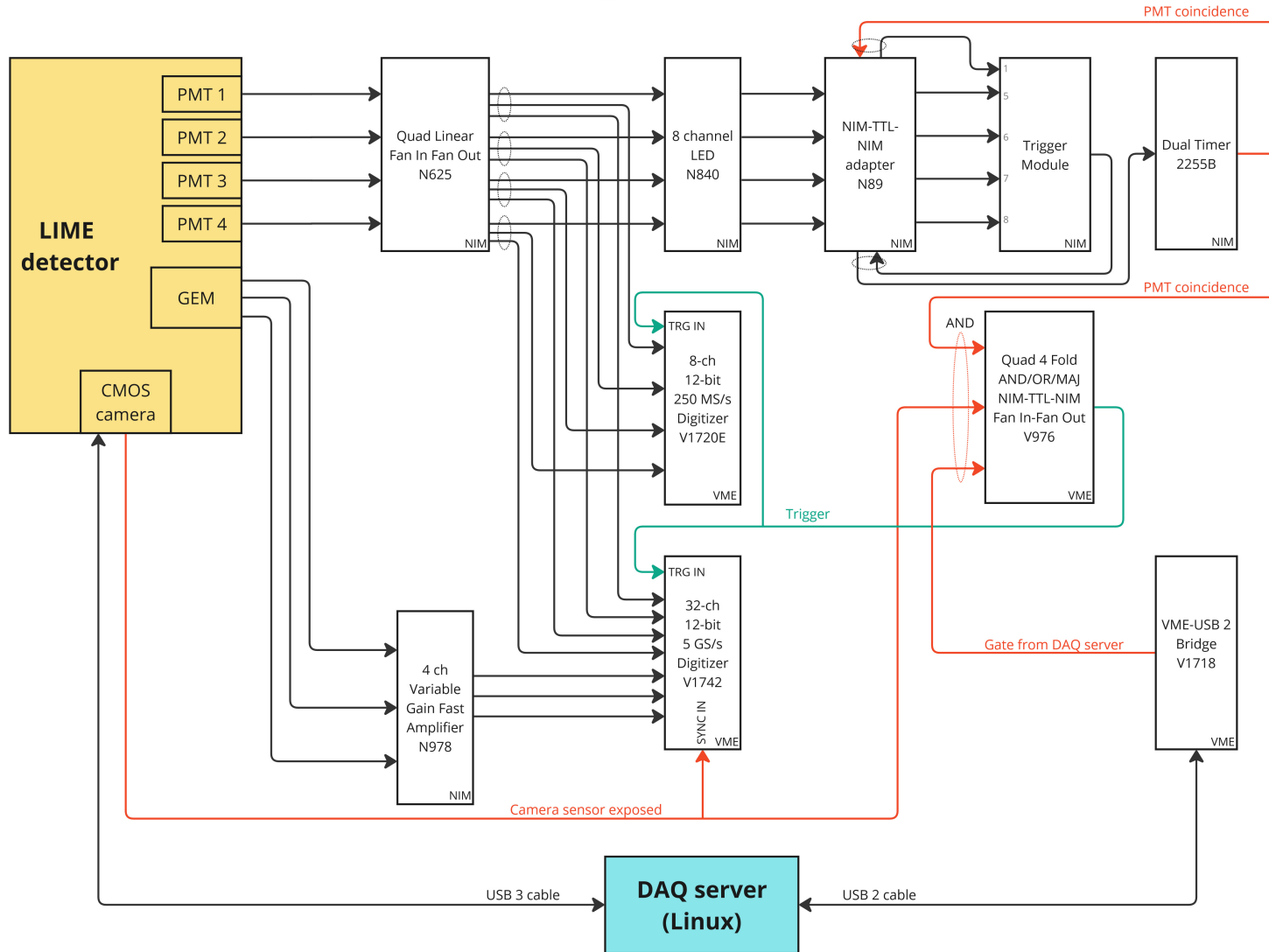
G S GRAN SASSO
SCIENCE INSTITUTE

S I SCHOOL OF ADVANCED STUDIES
Scuola Universitaria Superiore

CYGNO DAQ meeting
11 Oct 2024

LIME - DAQ overview

LIME - DAQ overview - 18/09/2024



Herman Lima - GSSI - 18/09/2024

* HV system NOT INCLUDED *

CYGNO04 - List of Material

CYGNO04 DAQ - Proposal v2 - List of Material *

Current design: 16 PMTs, 6 cameras

09/10/2024

	GROUP	DESCRIPTION	Model	Manufact.	Need	Available	TO ORDER	Notes
1	NIM module	Quad Linear Fan In Fan Out	N625	CAEN	4	2	2	
2	NIM module	8-ch Discriminator	N840	CAEN	2	1	1	
3	NIM module	4-ch Fast Amplifier	N978	CAEN	2	1	1	look for another amplifier with more channels?
4	NIM module	16-ch Trigger Module	v2	custom	1	0	1	under development
5	NIM crate	12-slots standard NIM crate		CAEN	1	1	0	PROBLEM: only 8 useful slots, 9 needed
6	VME module	8-ch, 250MSPS Digitizer	V1720E	CAEN	2	1	1	
7	VME module	32-ch, 5GSPS Digitizer	V1742	CAEN	1	1	0	
8	VME module	Quad 4 fold Logic, NIM-TTL-NIM	V976	CAEN	4	4	0	not needed with more logic functions designed in the TM v2
9	VME module	VME-USB2 Bridge	V1718	CAEN	1	1	0	
10	VME crate	4U, 8 slots, VME64 std crate	VME8008B	CAEN	1	1	0	5 slots used
11	Computing	8-ch, USB3-PCIe interface card	PCIe-U308	ADLINK	1	0	1	to be ordered soon at GSSI
12	Computing	generic USB2 cable type computer-printer interface	-	-	1	1	0	
13	Computing	USB3 long cable			6	0	6	
14	Computing	DAQ server			1	1	0	
15	Computing	Monitoring server			1	1		
16	Sensor	Orca Quest qCMOS camera	C15550-20UP	Hamamatsu	6	1	5	
17	Sensor	Photomultiplier Tube (PMT)	R7378	Hamamatsu	16	4	12	
	* Minimum Requirements.							

**** HV system NOT INCLUDED ****