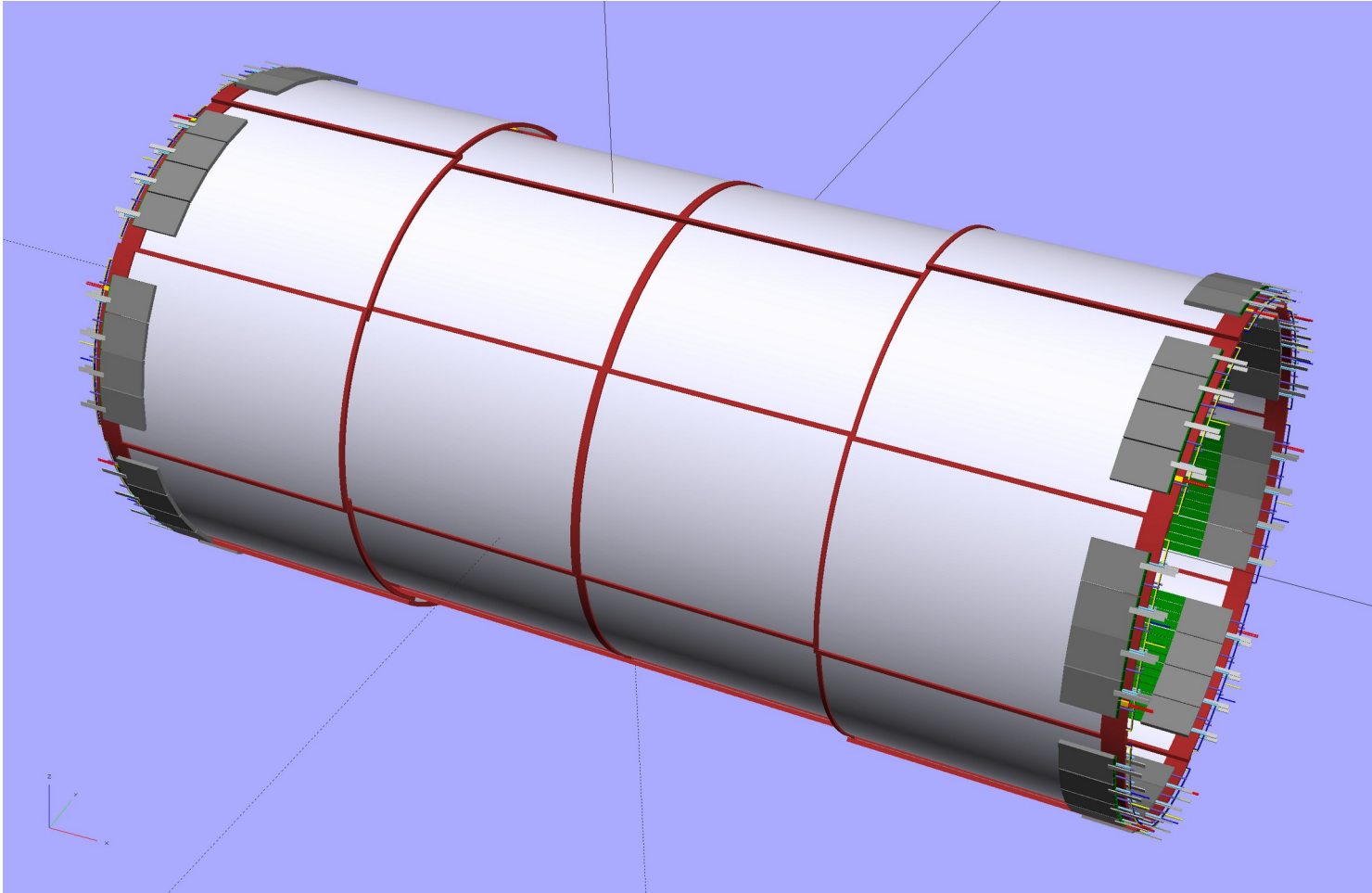
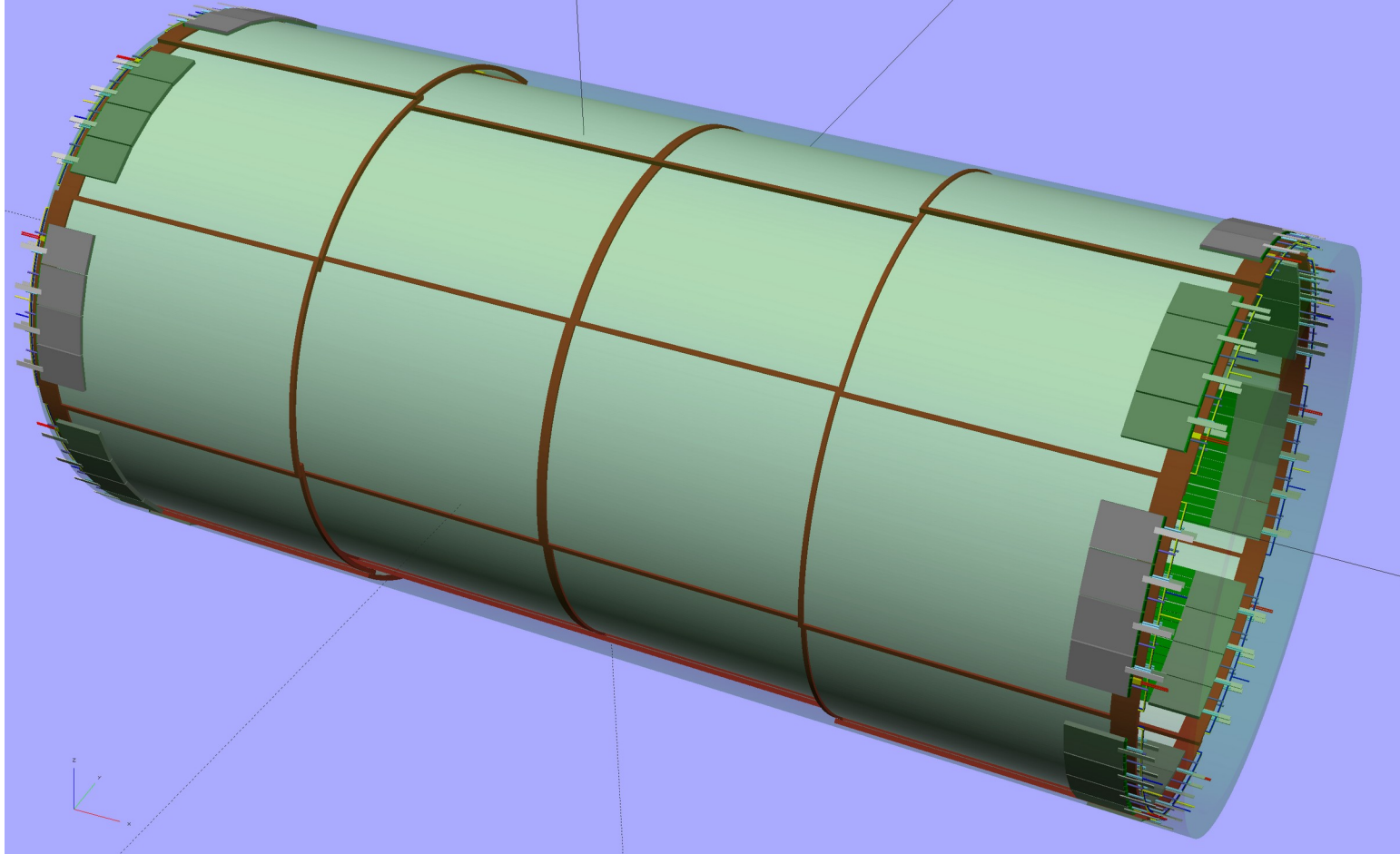


CyMBaL

CyMBaL

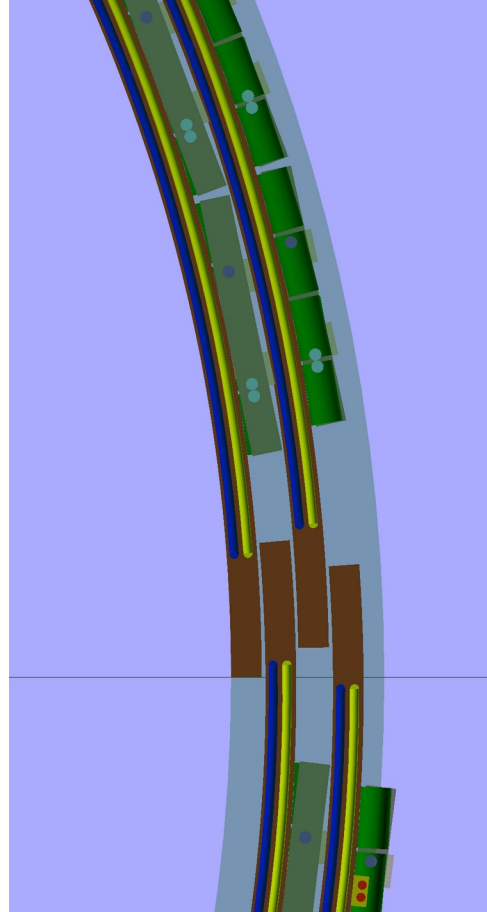
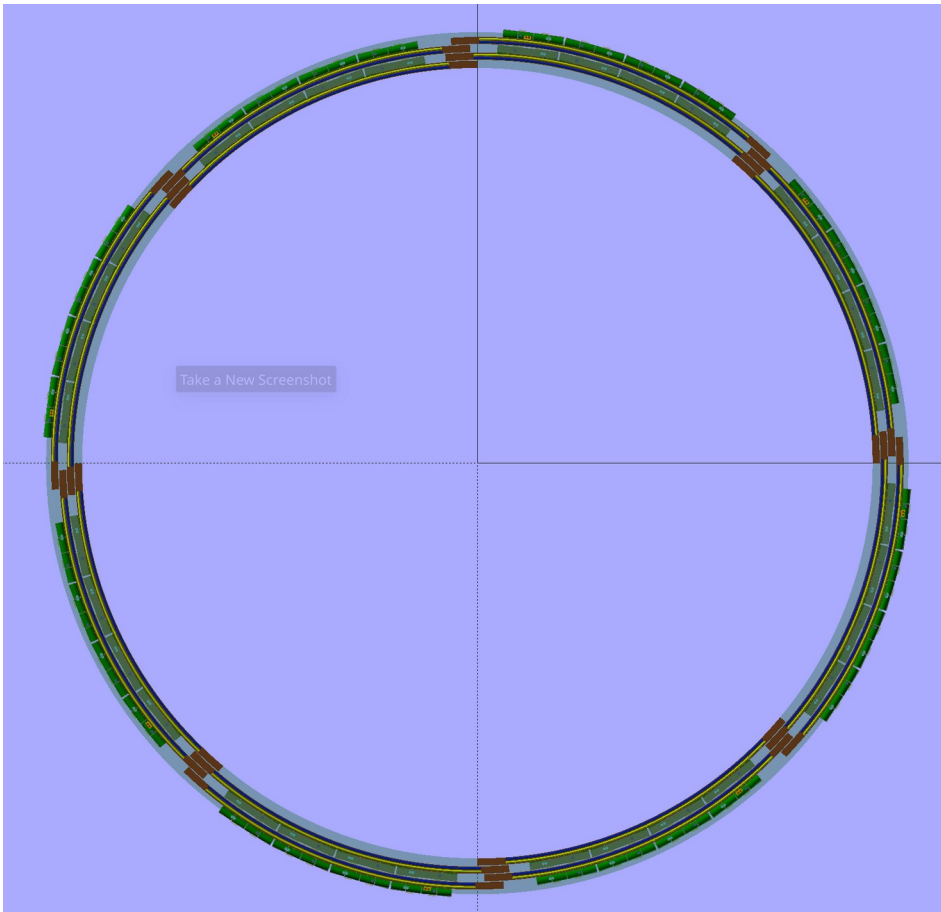


With keeping zone (green shade)



$R_{min} = 55 \text{ cm}$
 $R_{max} = 60 \text{ cm}$

W/ keeping zone. From the side



Tile thickness = 1 cm

FEB thickness = 1 cm

Delta_R overlap_phi = 1.2 cm

Delta_R overlap_z = 2.2 cm

CAVEAT:

- Thicknesses are just educated guesses
- The tile thickness will likely be less than 1 cm (as a comparison, a CLAS12 tile is about 0.5 cm thick)
- Mechanical support between tiles and between FEB and tiles still to be addressed