

**The November J/Ψ Revolution Fifty Years Later with a Look to
the Future
FRASCATI 2024**

**A personal recollection
(18 Nov. 2024)**

,

Preliminary Result of Frascati (ADONE) on the Nature of a New 3.1-GeV Particle
Produced in e^+e^- Annihilation*

C. Bacci, R. Balbini Celio, M. Berna-Rodini, G. Caton, R. Del Fabbro, M. Grilli, E. Iarocci,
M. Locci, C. Mencuccini, G. P. Murtas, G. Penso, G. S. M. Spinetti,
M. Spano, B. Stella, and V. Valente

The Gamma-Gamma Group, Laboratori Nazionali di Frascati, Frascati, Italy

and

B. Bartoli, D. Bisello, B. Esposito, F. Felicetti, P. Monacelli, M. Nigro, L. Paolufi, I. Peruzzi,
G. Piano Mortemi, M. Piccolo, F. Ronga, F. Sebastiani, L. Trasatti, and F. Vanoli
The Magnet Experimental Group for ADONE, Laboratori Nazionali di Frascati, Frascati, Italy

and

G. Barbarino, G. Barbiellini, C. Bemporad, R. Biancastelli, F. Cevenini, M. Celveti,
F. Costantini, P. Lariccia, P. Parascandolo, E. Sassi, C. Spencer, L. Tortora,
U. Troya, and S. Vitale

The Baryon-Antibaryon Group, Laboratori Nazionali di Frascati, Frascati, Italy

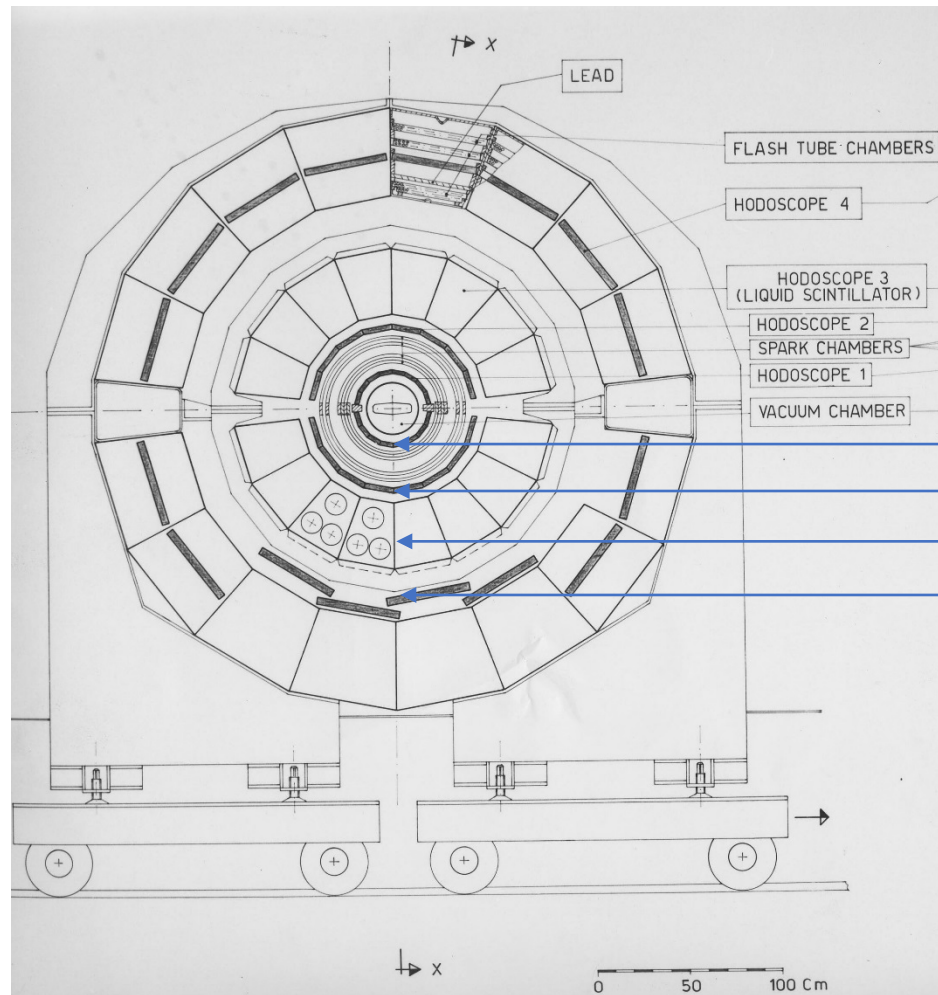
(Received 18 November 1974)

We report on the results at ADONE to study the properties of the newly found 3.1-BeV particle.

Results of the Baryon-Antibaryon Group.

This group has also seen a clear signal in the trigger of events with two relativistic collinear tracks; a sixfold coincidence between two opposite collinear telescopes viewing the intersection was used in the trigger.

The cosmic-ray background was rejected on line.

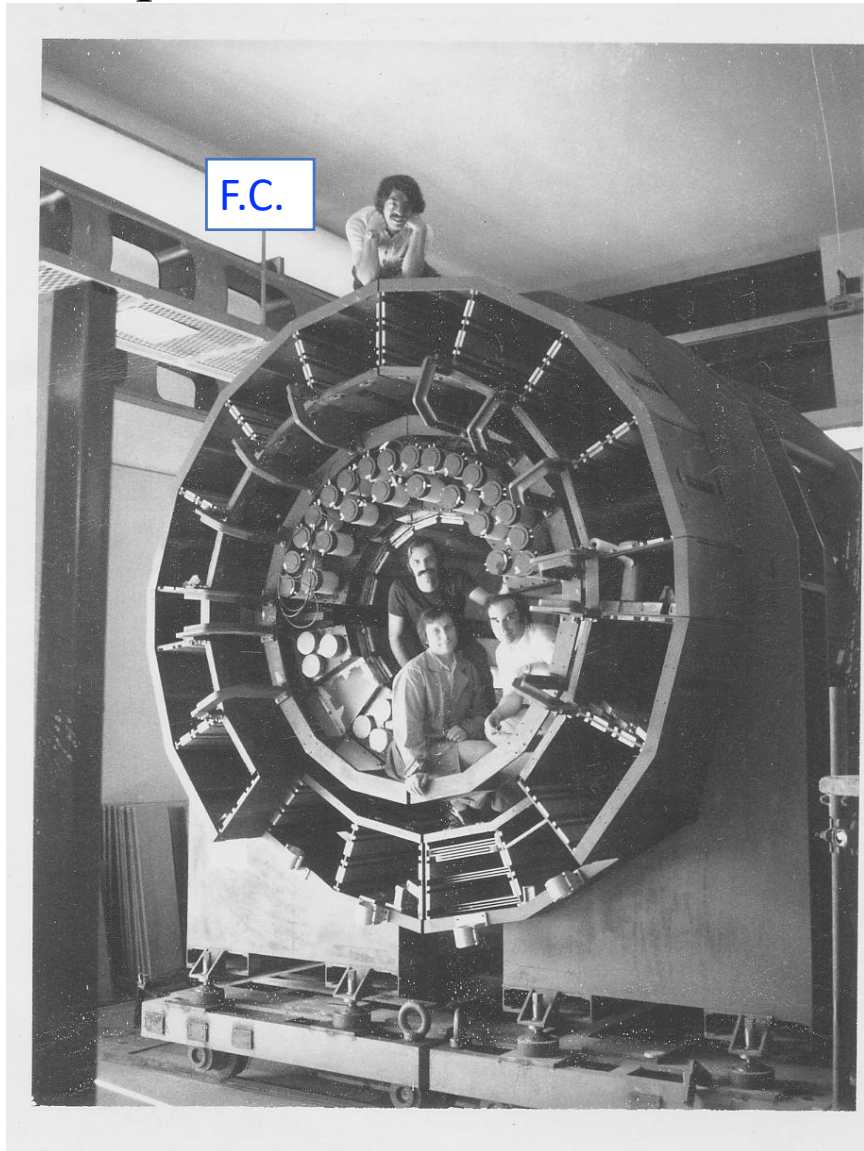


4 HODOSCOPES

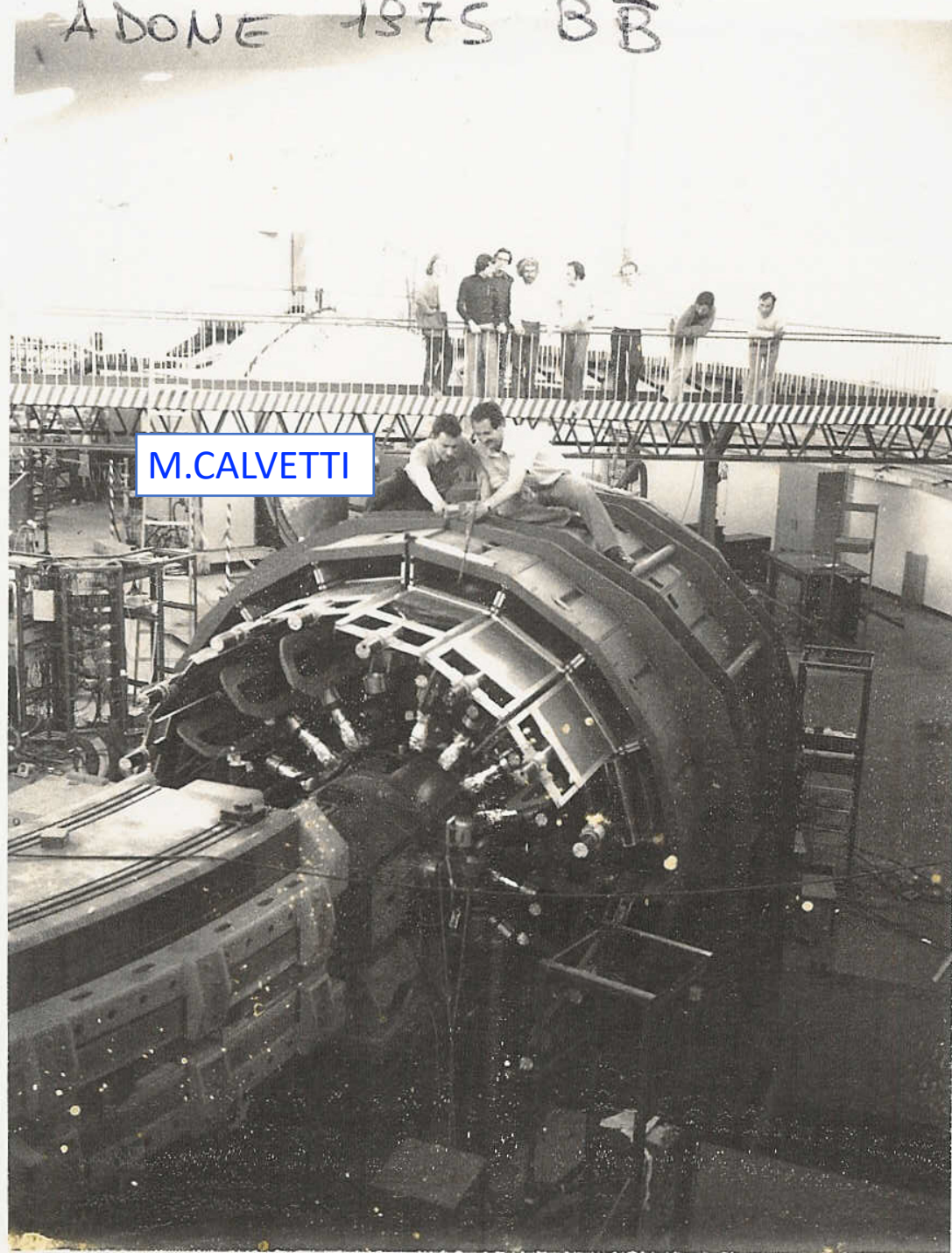
1,2,4 PLASTIC
SCINTILLATOR

3 LIQUID SCINTILLATOR

Esperimento **BB** ad **ADONE**



G. Pagani, M. Favati, A. Dante



M.CALVETTI



P.LARICCIA

M.CASTELLANO

M.CALVETTI

C. BEMPORAD

S. VITALE

U.TROYA

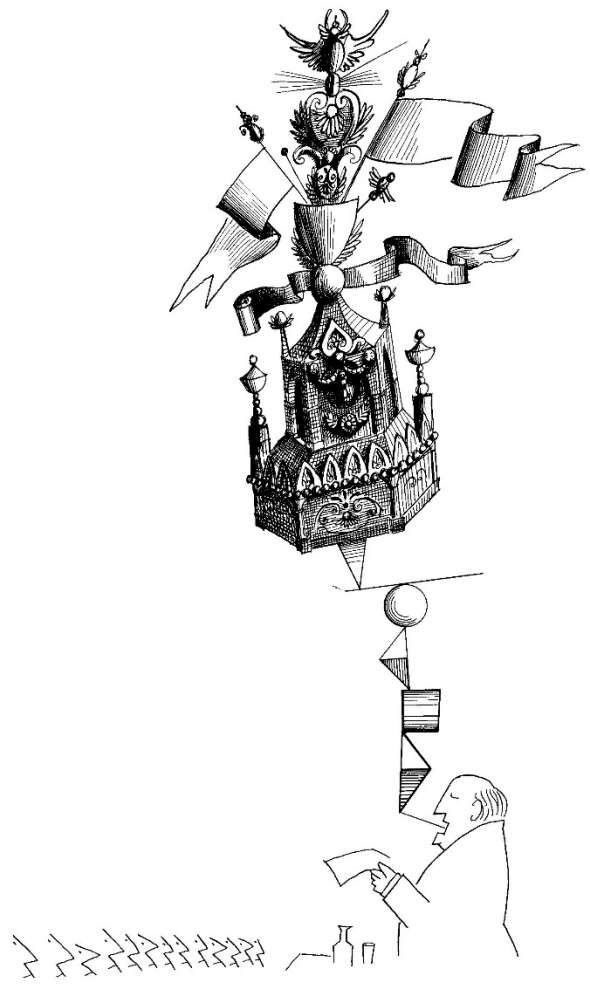
E.SASSI

L.TORTORA

F.C.

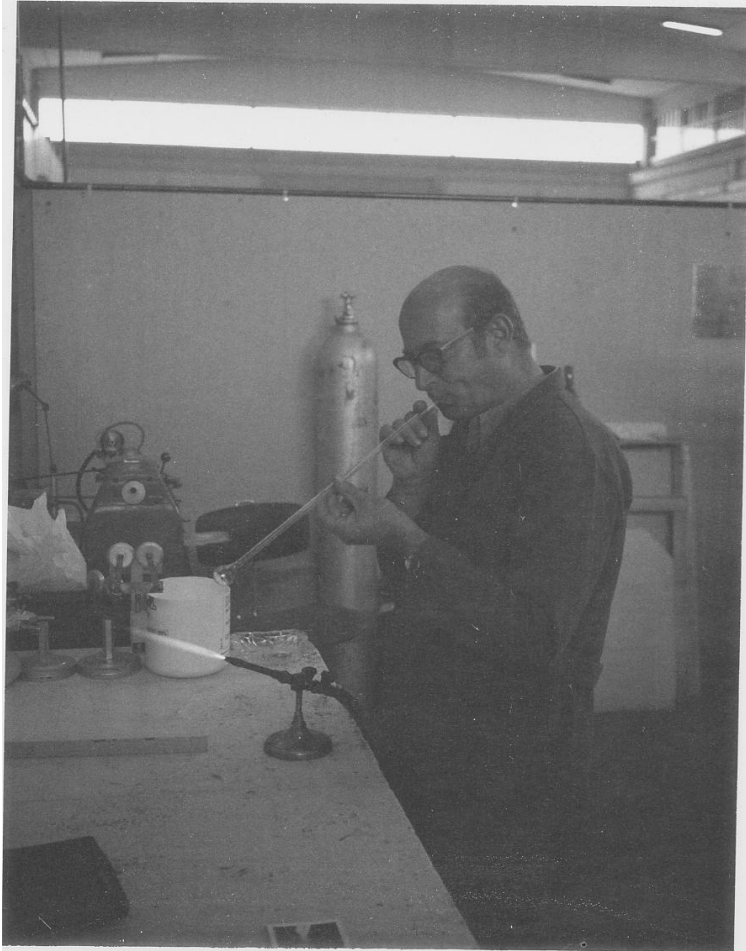
C.SPENCER

,

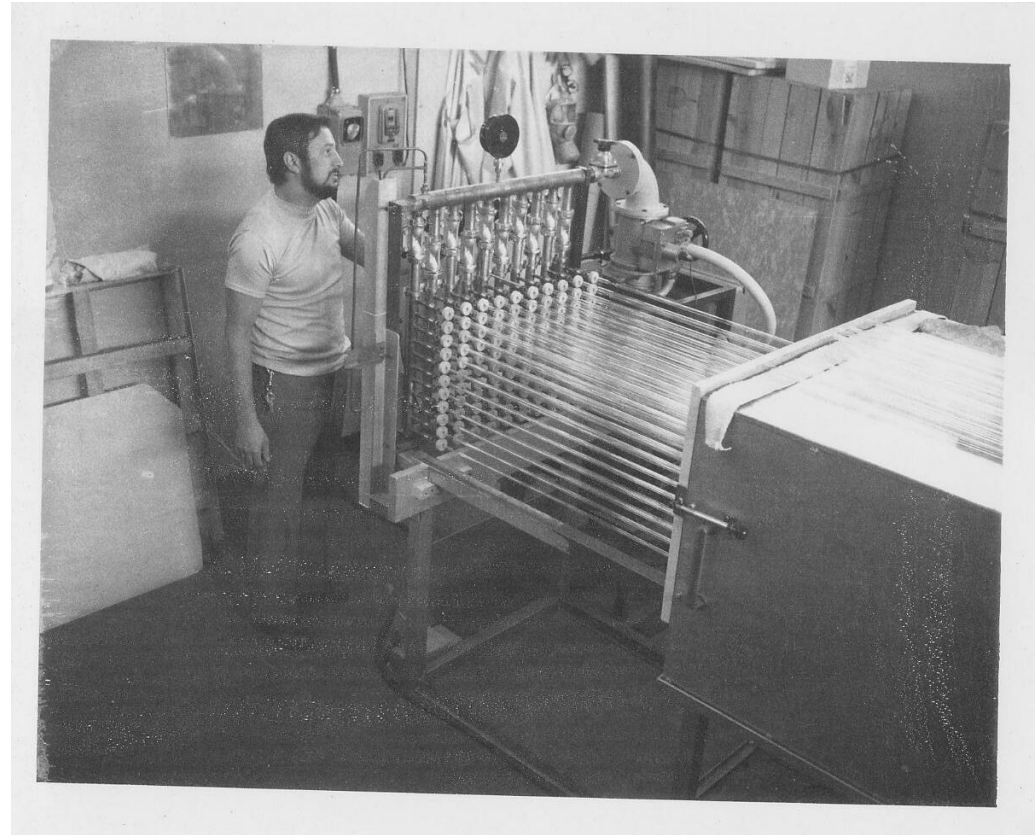


,

Preparazione, a S.Piero a Grado (primo esperimento),
dell' apparato **Barione Anti_Barione** per **ADONE** (1973)
48 camere, 10000 tubi, Φ 1.1 cm L 150 cm
tubi sviluppati per alte velocita' di conteggio, lettura digitalizzata



Bisio Coli



Carlo Guidi (Fernando Del Colletto)