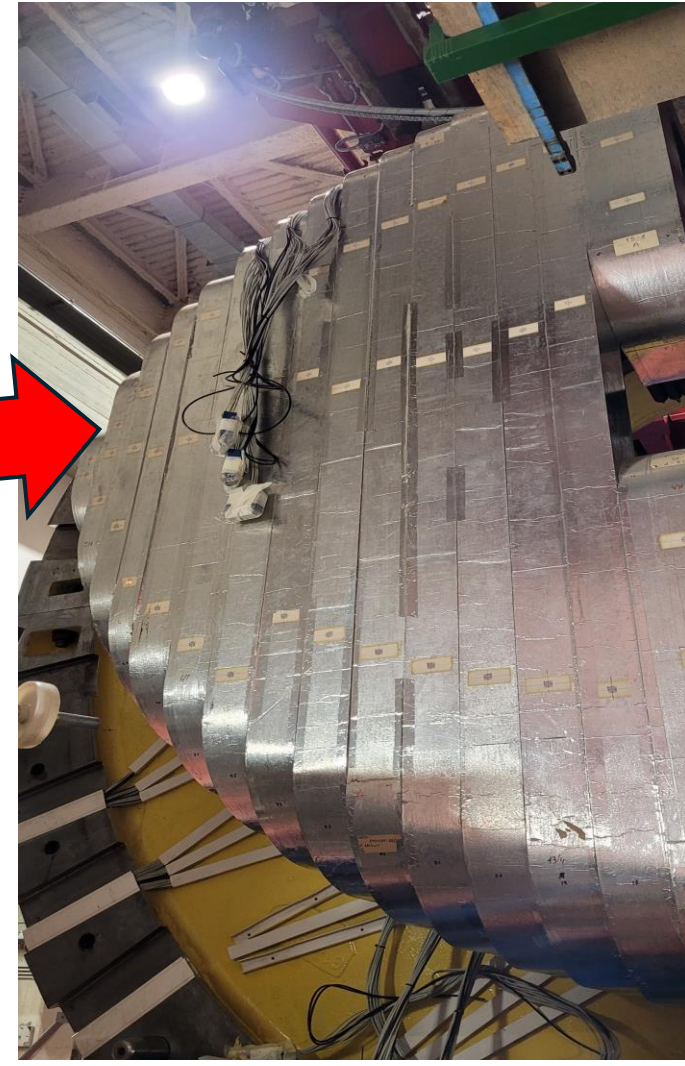
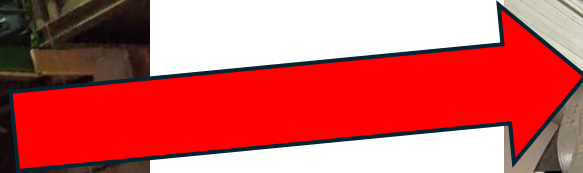
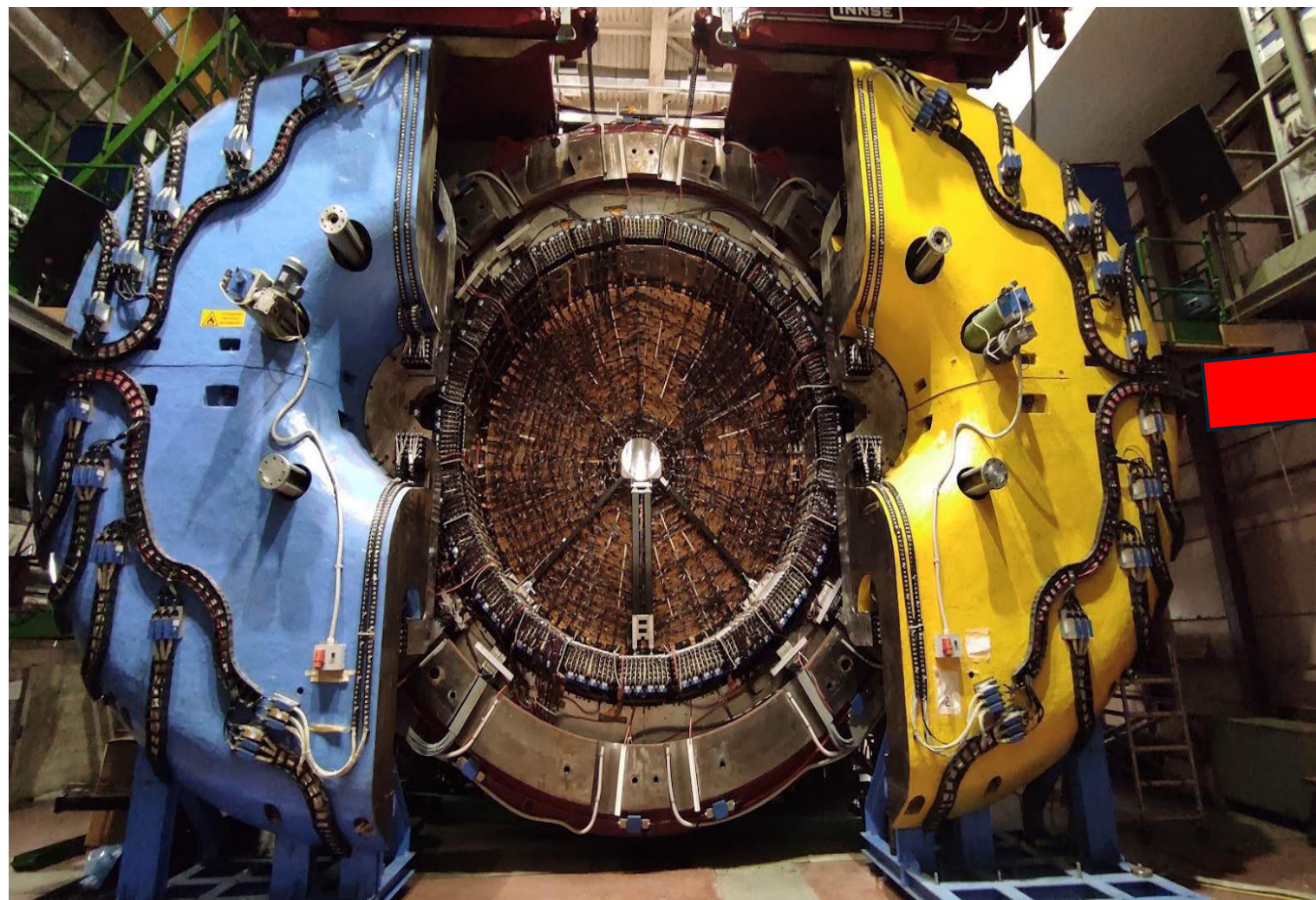


# ECAL end-cap dismounting



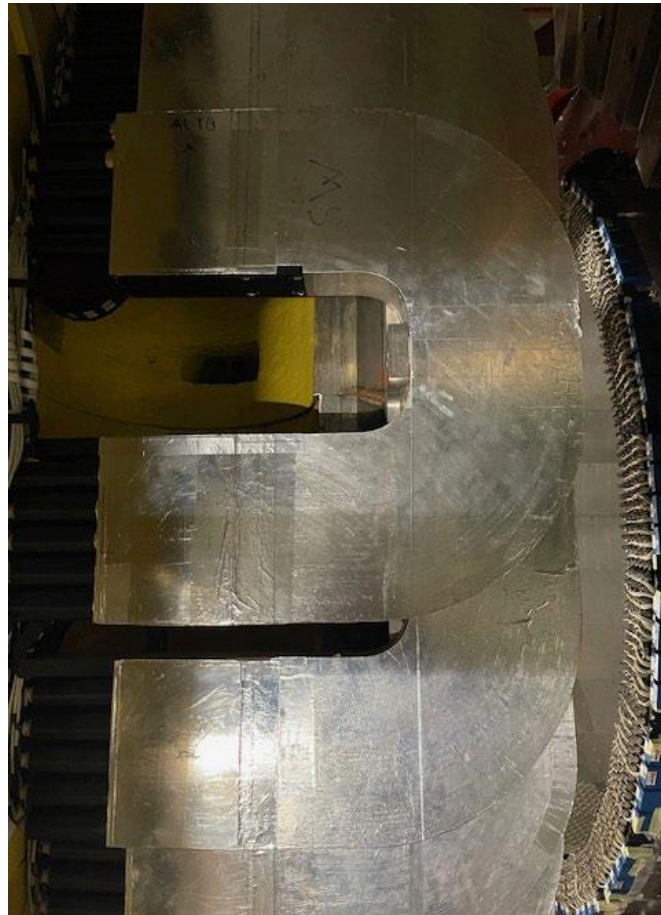
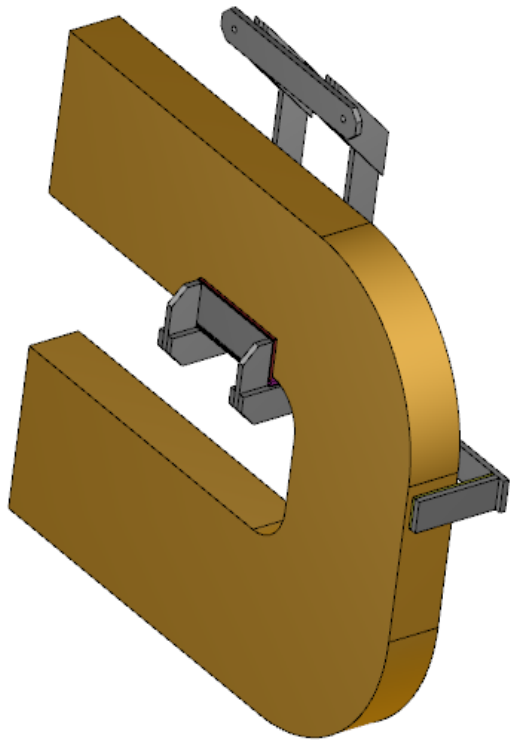
Francesco Noto – Antonio Grmek  
INFN - LNS



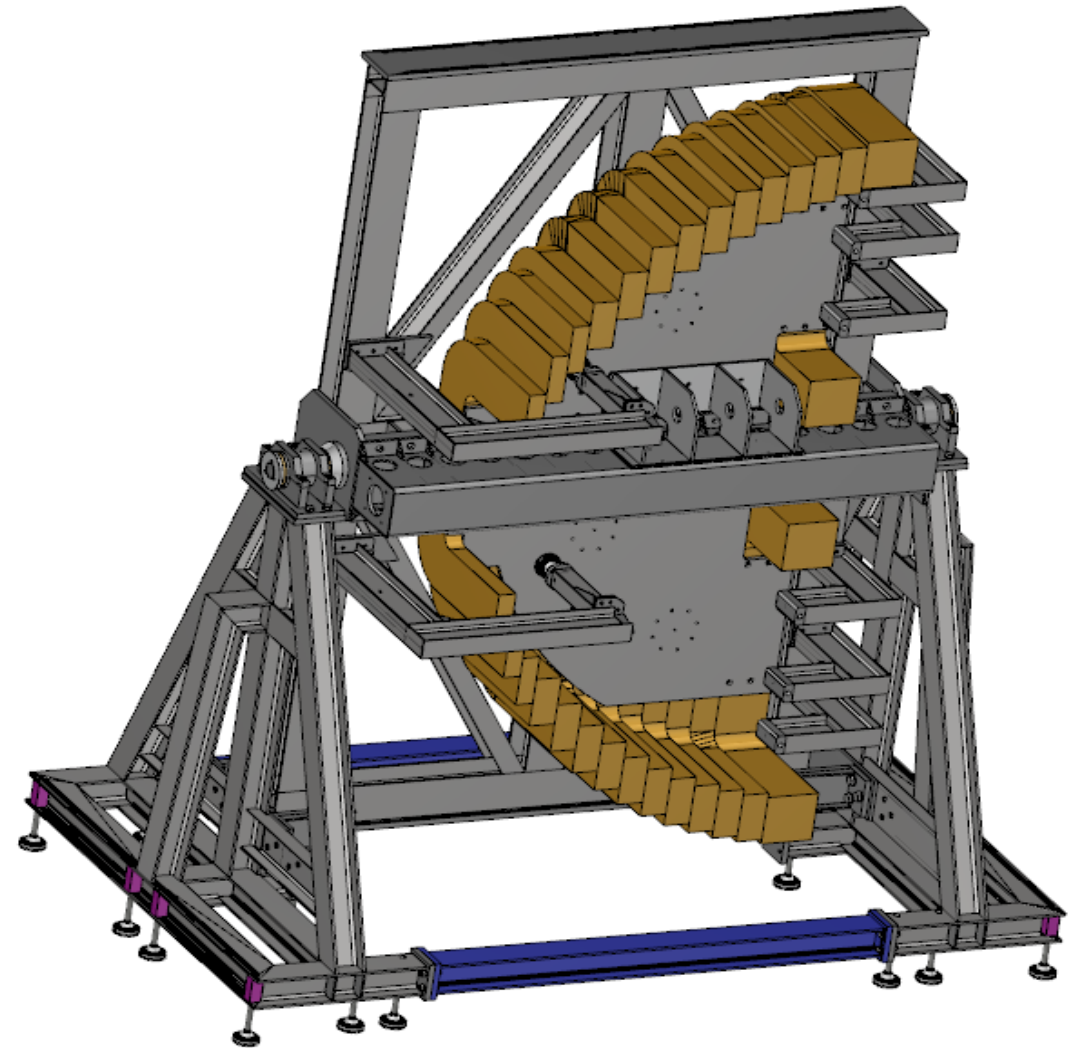
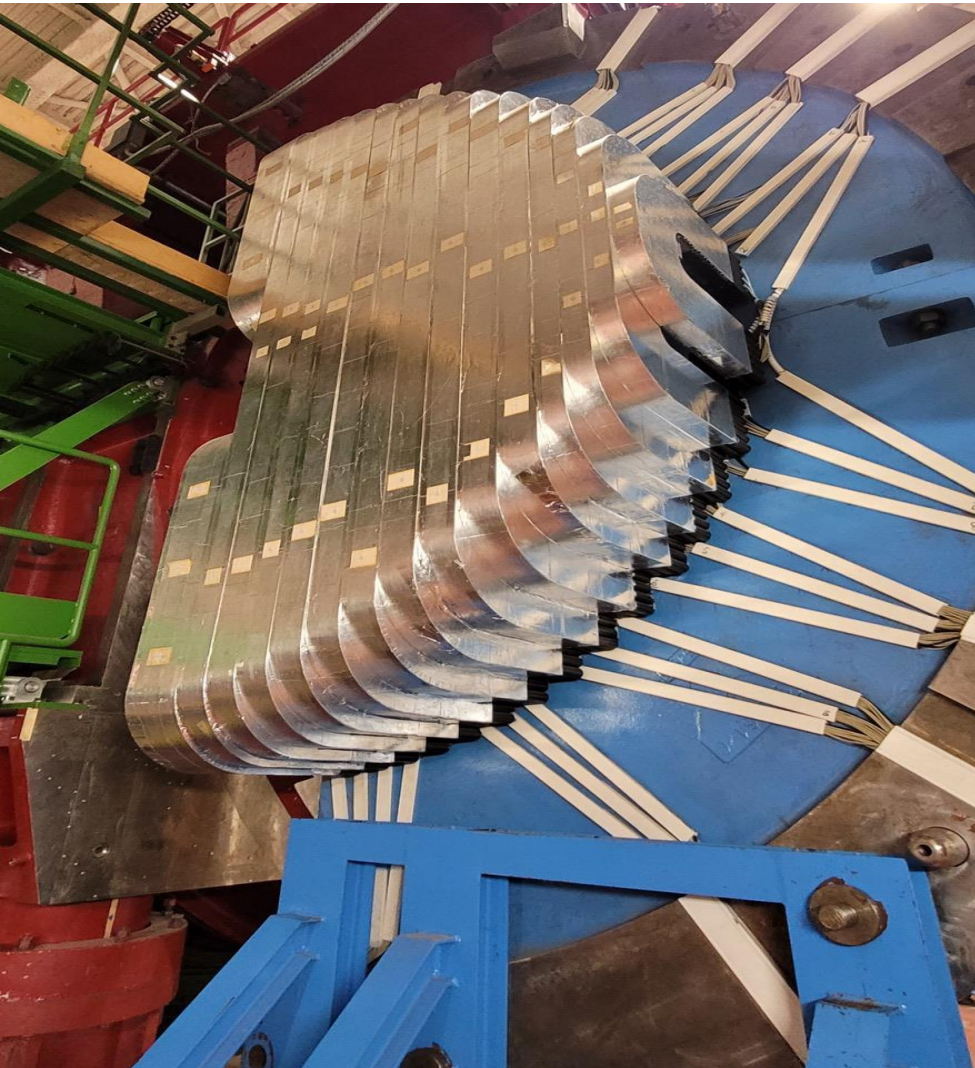
# KICK OFF



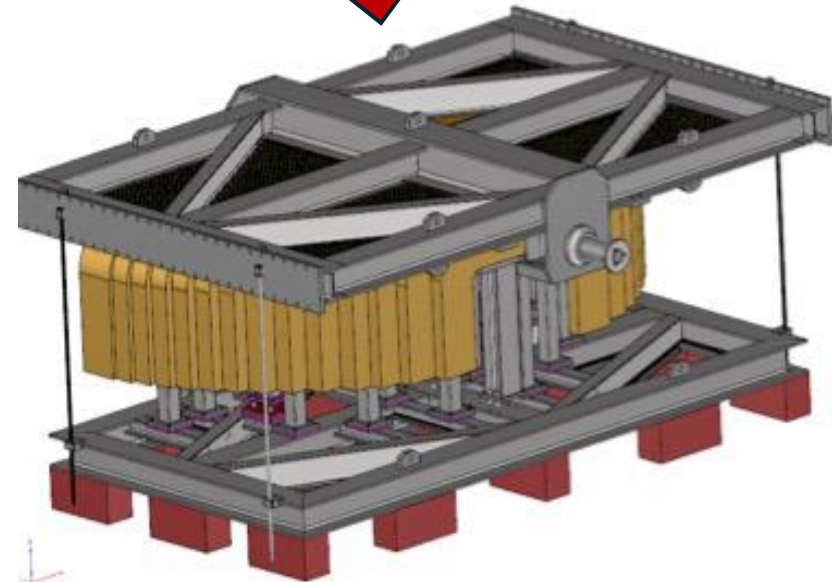
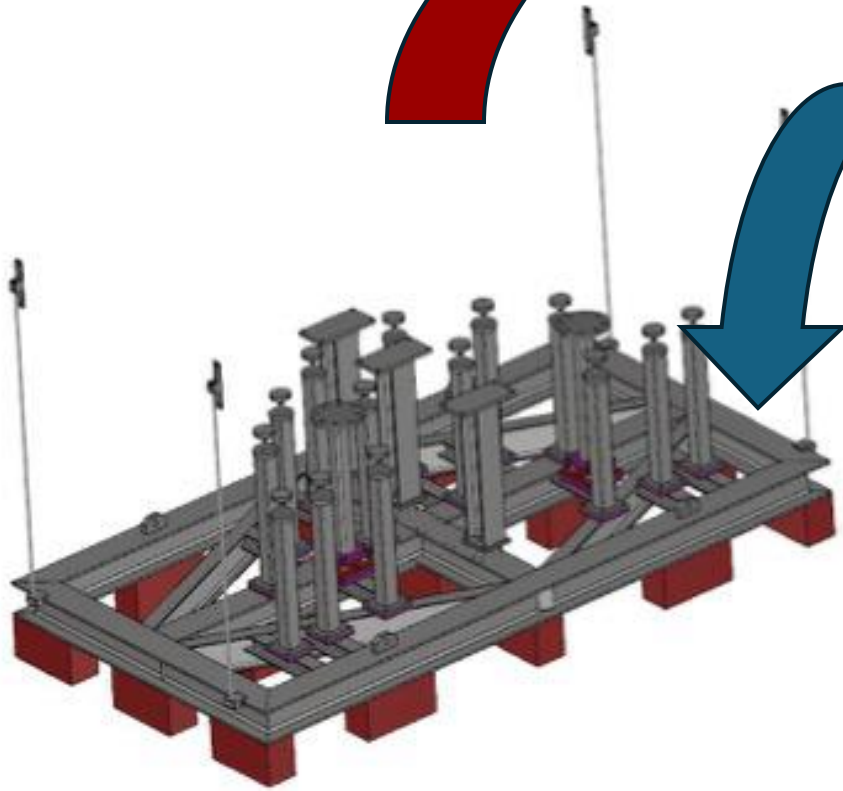
# SPECIAL TOOL MODULE 1



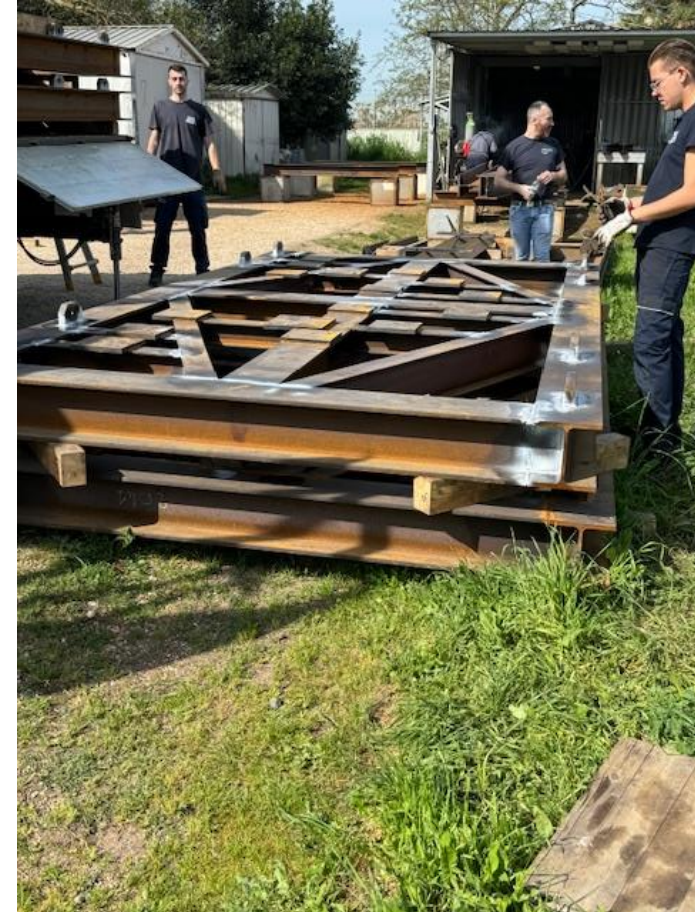
# «RIBALTATORE» TOOL



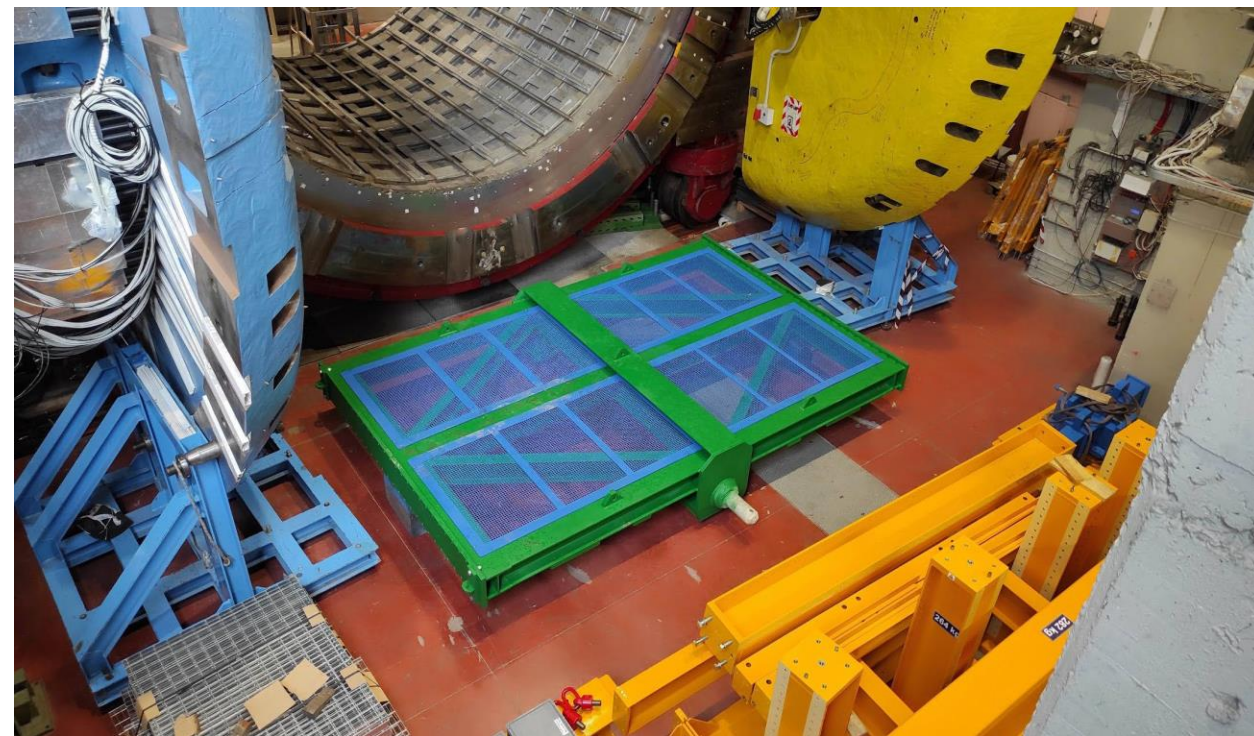
# SHIPPING



# WORK IN PROGRESS



# READY TO ASSEMBLY





# TO DO LIST

- WAITING SFERA'S REPORT
  - DIMENSIONAL CALC
  - CE CERTIFICATION
- EMPTY TEST
- FROM NOW ON WE'LL WORK WITH «TITOLO V» D.L. 81/08