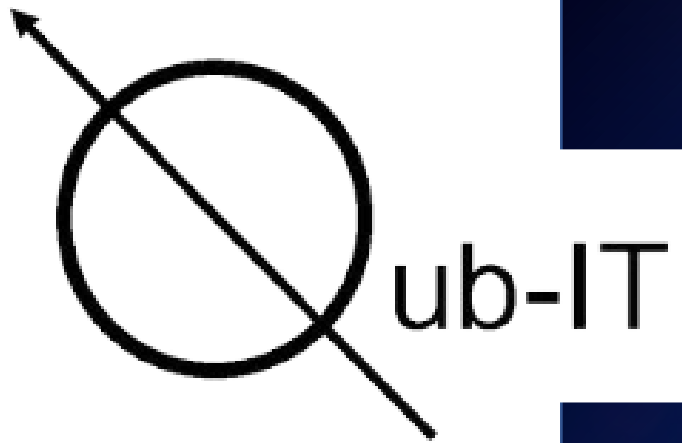




# Qub-IT PNRR joint meeting

- Claudio Puglia, Federico Paolucci, Giovanni Signorelli, Gianluca Lamanna, Andrea Tartari
- 13 May 2024



1. The setup
2. DC JJs characterization



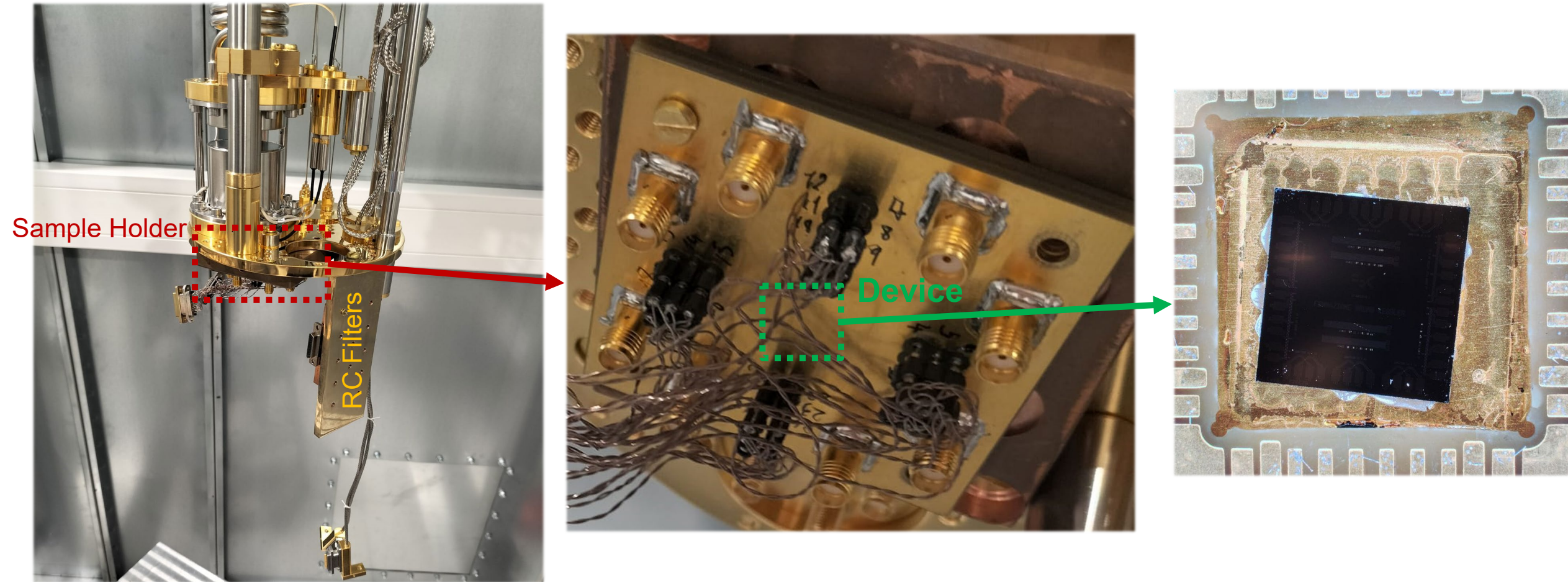
# 1

## The Setup

- Bluefors SD  $T < 22$  mK
  - Cooldown time  $< 14$  h
  - 8x RF (1 GHz) + 24 DC
- or
- 4x RF (10 GHz)

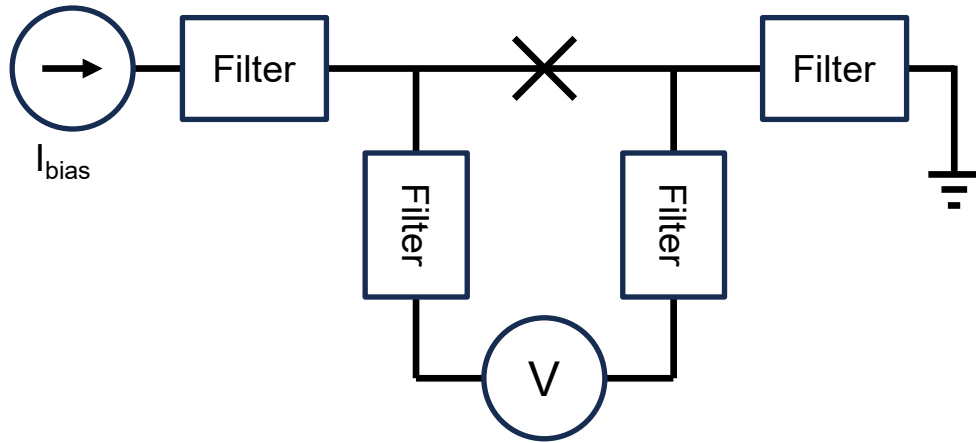


# DC JJs characterization

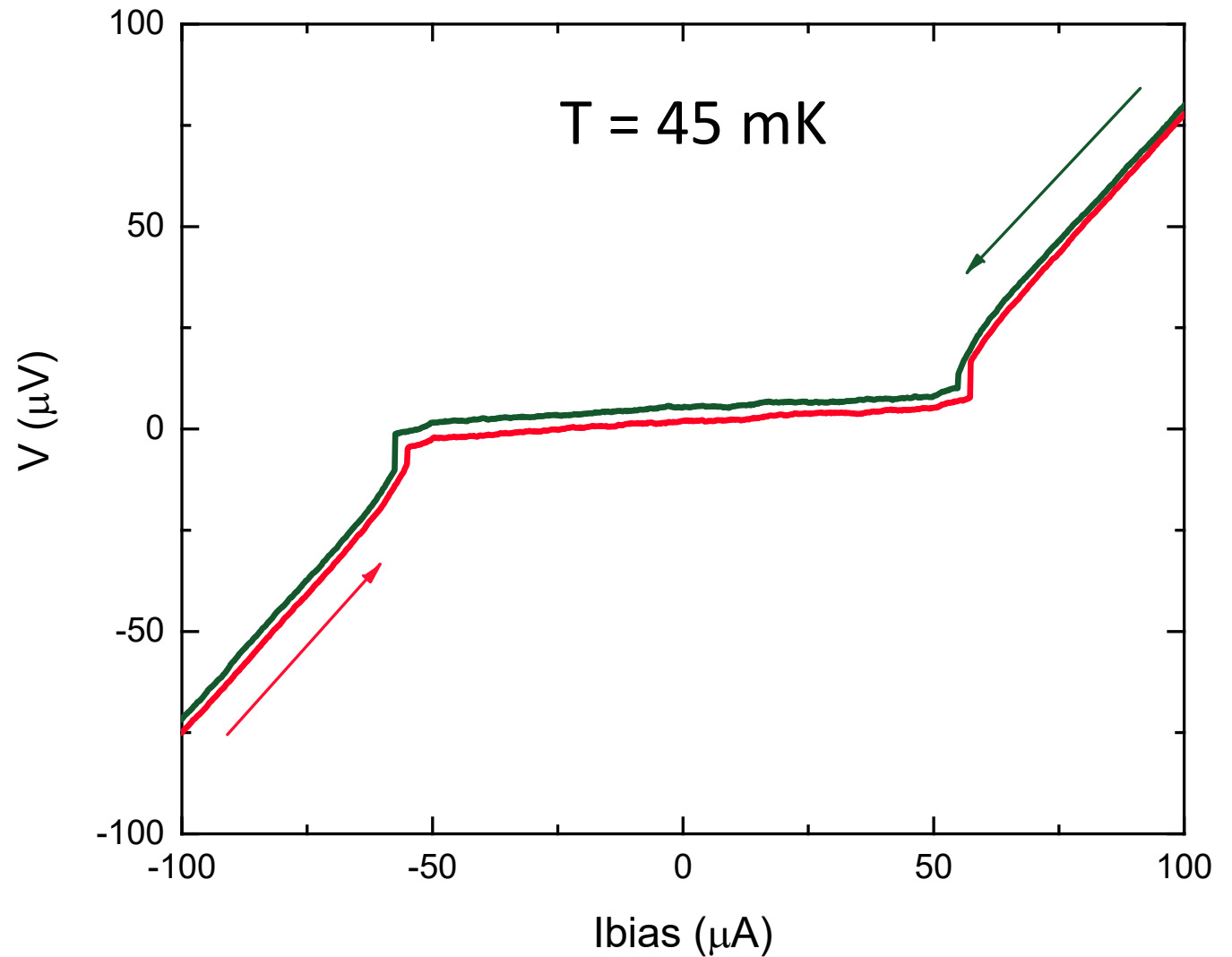


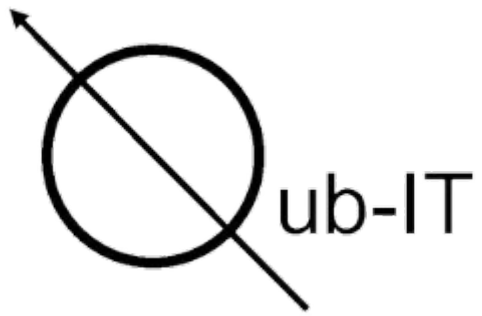


## DC JJs characterization



- Residual resistance  $62 \text{ m}\Omega$
- «Critical current»  $58 \text{ }\mu\text{A}$
- Oxidation issues?





<https://web.infn.it/qub-it/>

Thank you for your time.