

Imperial College
London



Secondment at J-PARC for PROBES: September 2022

Oliver Jeremy
Imperial College London

PROBES Mid-Term Review, February 2024

Myself and My Secondment

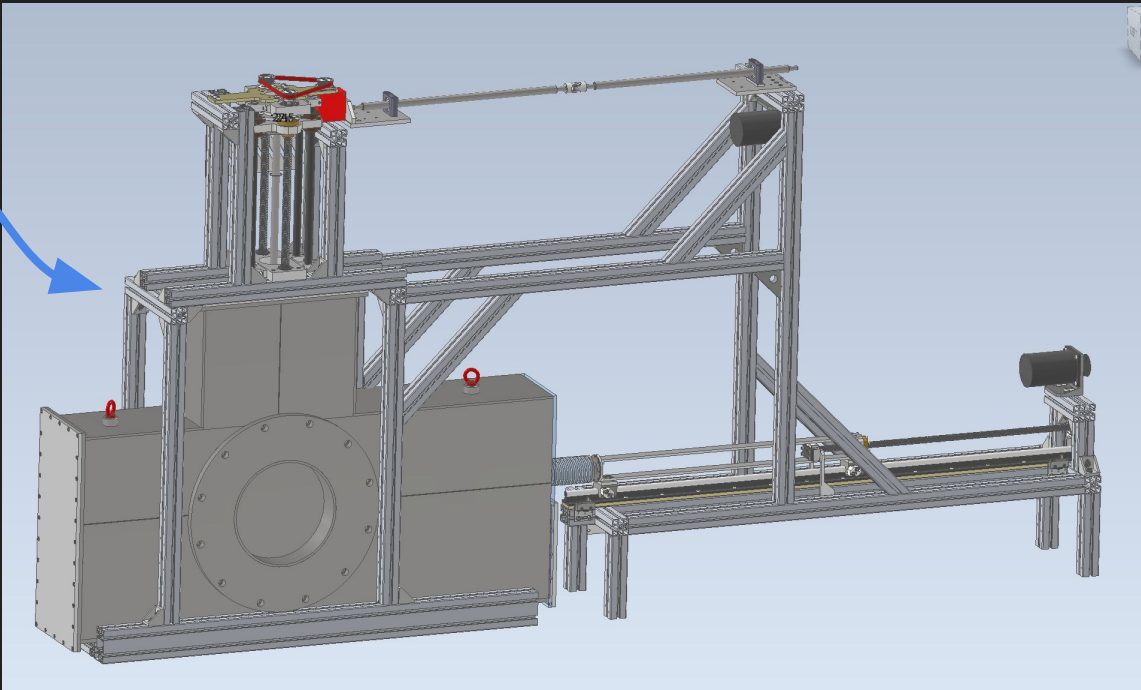
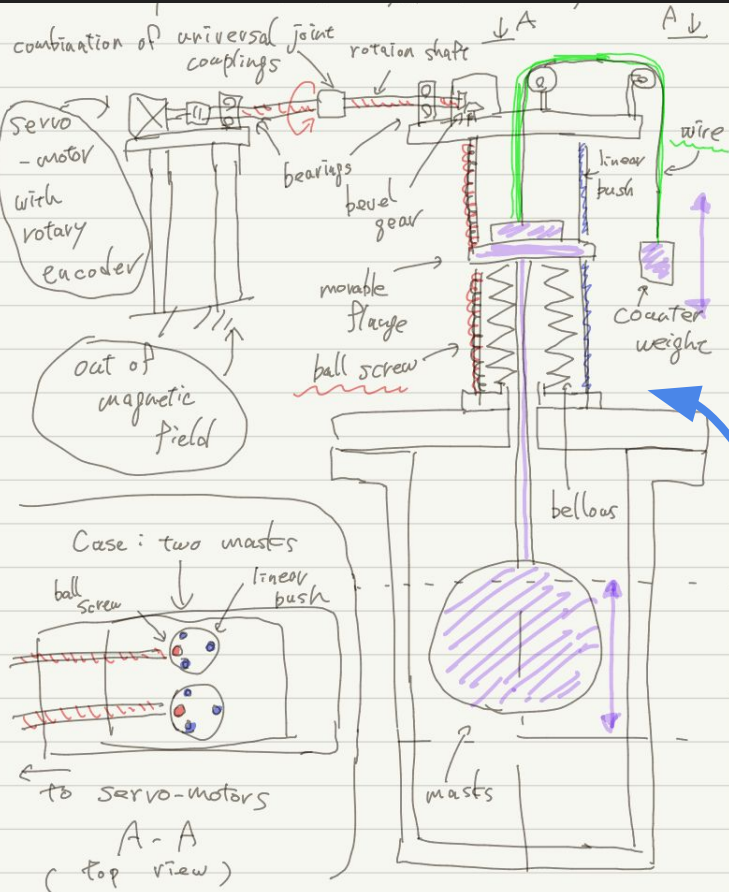
- I am from a Mechanical Engineer from Wales, a country of three million people, one of the four countries of the UK
- I have been a Mechanical Engineer from the age of 16 and have worked at ICL for 4 years
- Initial secondment (and first time in Japan!) at J-PARC for 20 days in September 2022, for the COMET experiment
- Will complete the secondment in May this year, to disassemble the system we installed and put in long-term storage for future use.

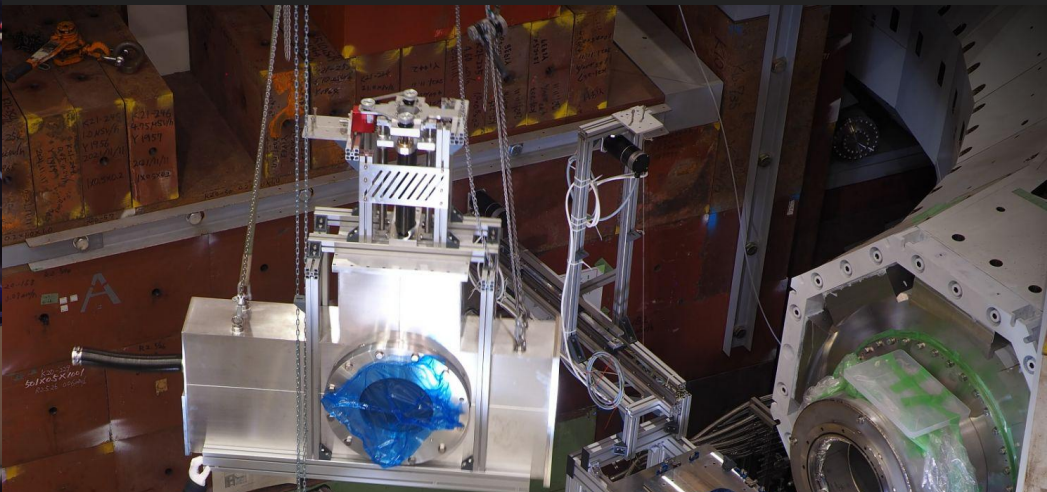


The concept design - Jan 2022

Yoshi asked me to design a 2 axis mask system to sit in the Comet beamline.

Designed and built @ ICL - Jan to Aug 2022



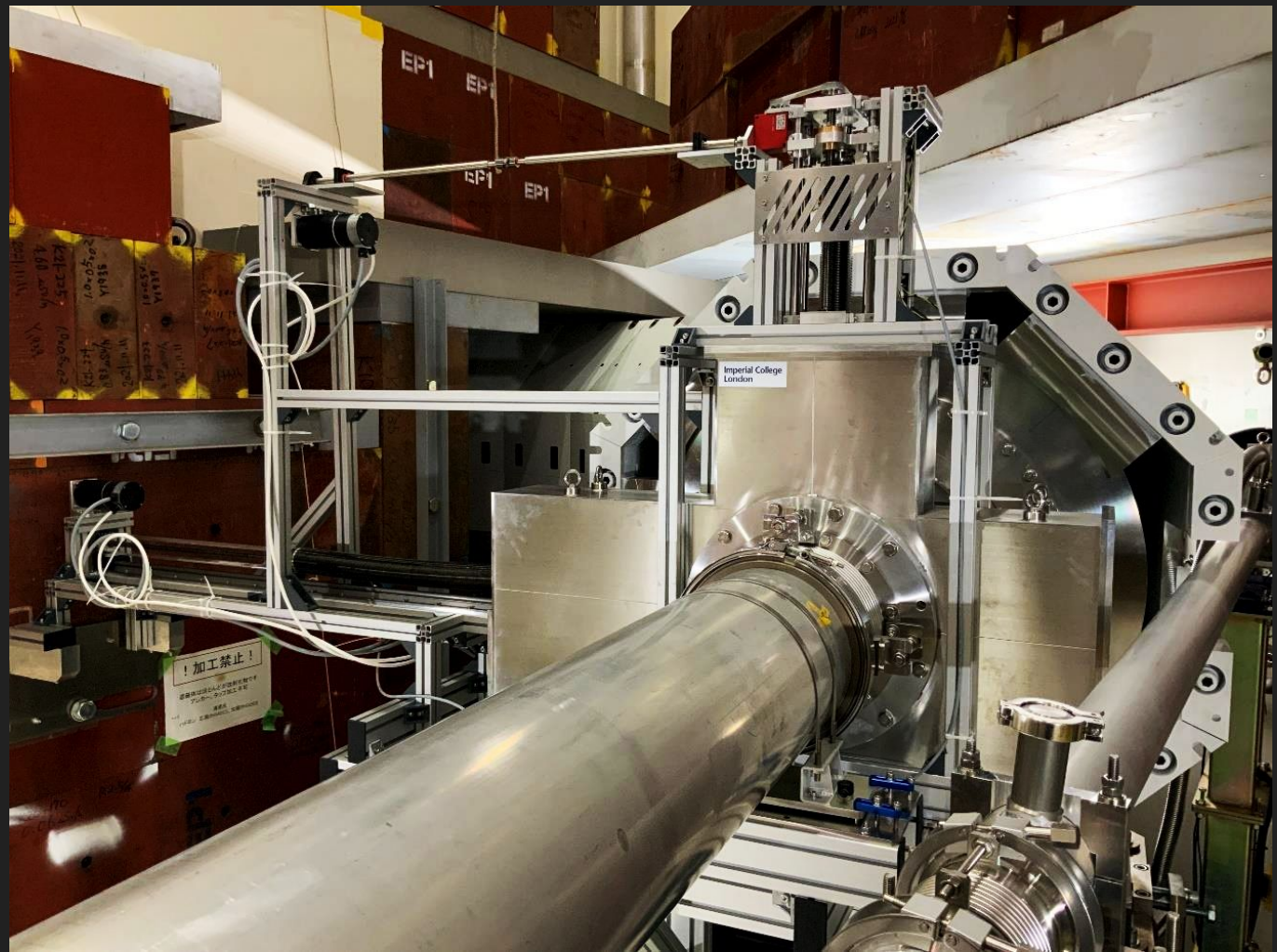


Installation of
Variable Beam
Mask in COMET
Beam Line at
J-PARC
September 2022

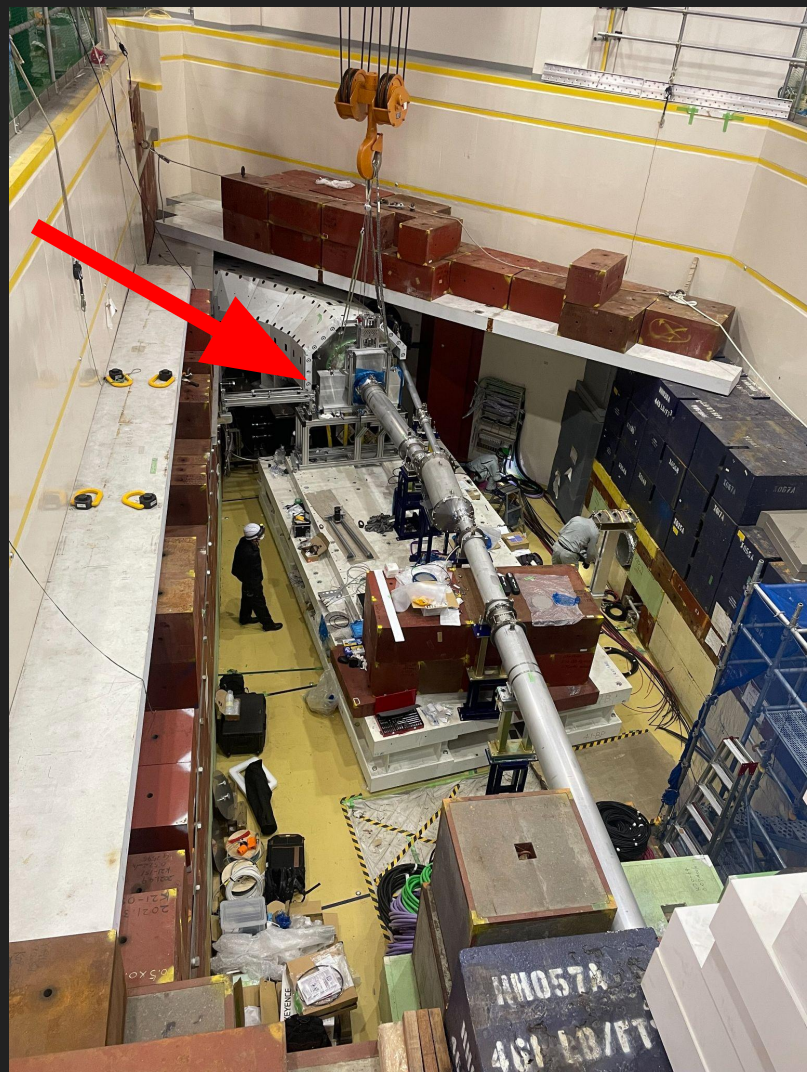




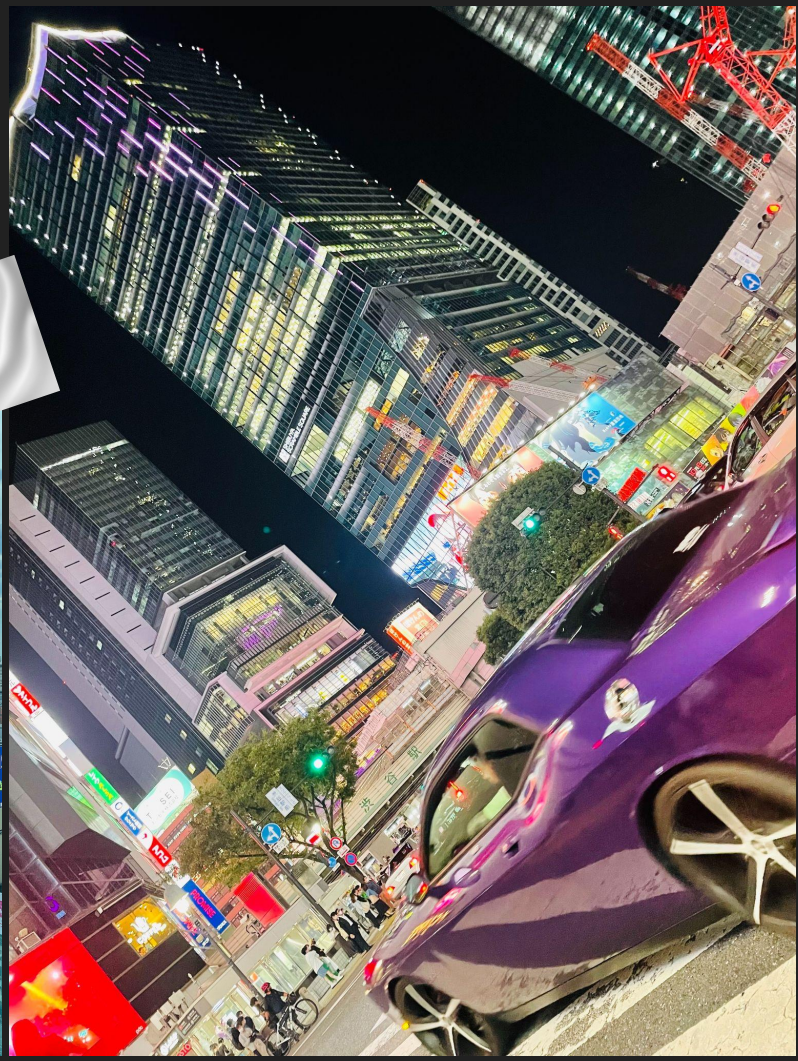
The installed system and ICL / J-PARC enjoying a team meal



Speaking as an Engineer, the secondment gave me extremely valuable experience of beamline hardware a greater understanding of the requirements of world class high energy physics experiments



Speaking as an individual, the secondment allowed me to experience an entirely different way of life, meet new people and take in an amazing culture.... I can't wait for the next phase of the project!



It's not all work...! The Imperial College team having a good time in Japan....

Kevin & Yoshi at late night Karaoke!!!



Kevin & I enjoying a cold beer after installing the mask system



One of my favourite meals during the secondment

