



Preparation of CNAO2023_MC simulation campaign

G. Battistoni, S. Muraro
INFN Milano

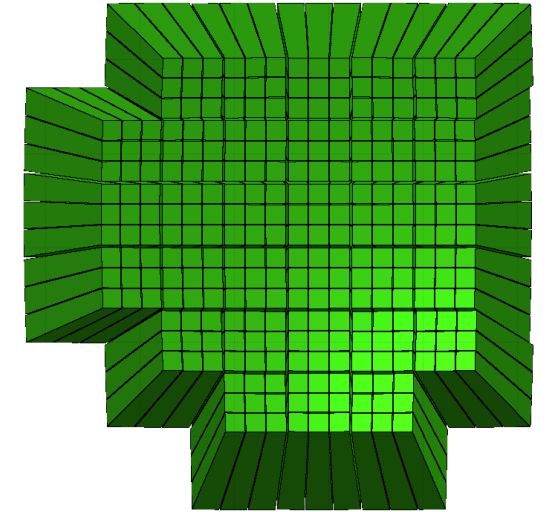
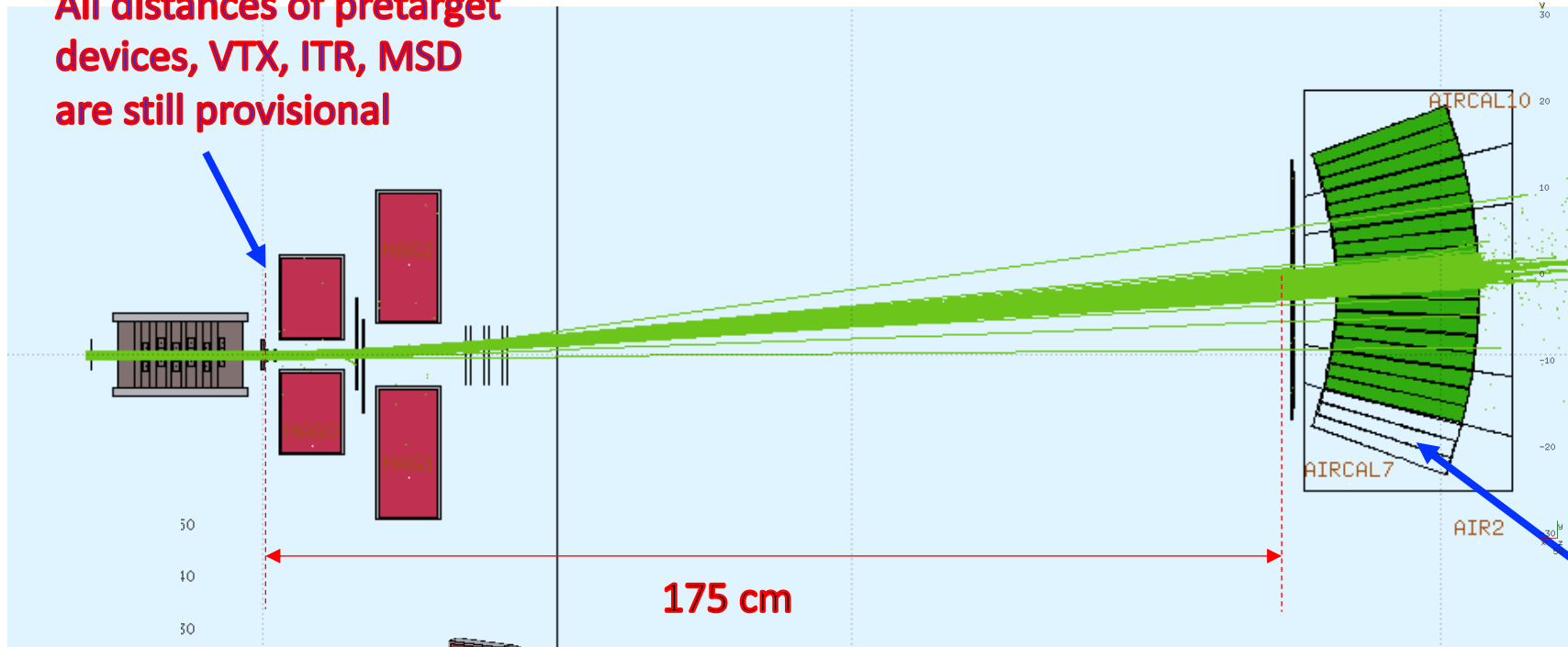
Introduction

The new campaign **CNAO2023_MC** has been provisionally prepared in the **newgeom** branch, starting from full detector campaign **12C_200_2023v2**

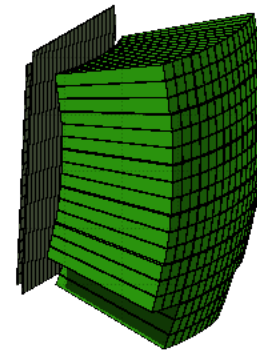
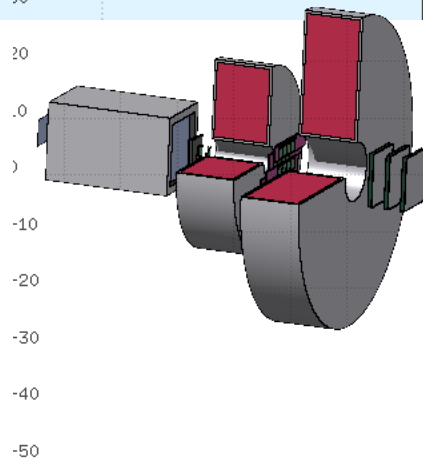
We wish to acknowledge the work of Ernesto Lopez Torres who was able to fix the automatic generation of calorimeter geometry for both campaigns

CNAO2023_MC design

All distances of pretarget devices, VTX, ITR, MSD are still provisional



The concept is that we fill with air the crystals which will not be mounted



Additional work

For the purpose of physics studies, we have added in newgoem also the **16O_200_2023v2** campaign (^{16}O +C at 200 MeV/u)