

hadronic calorimeters

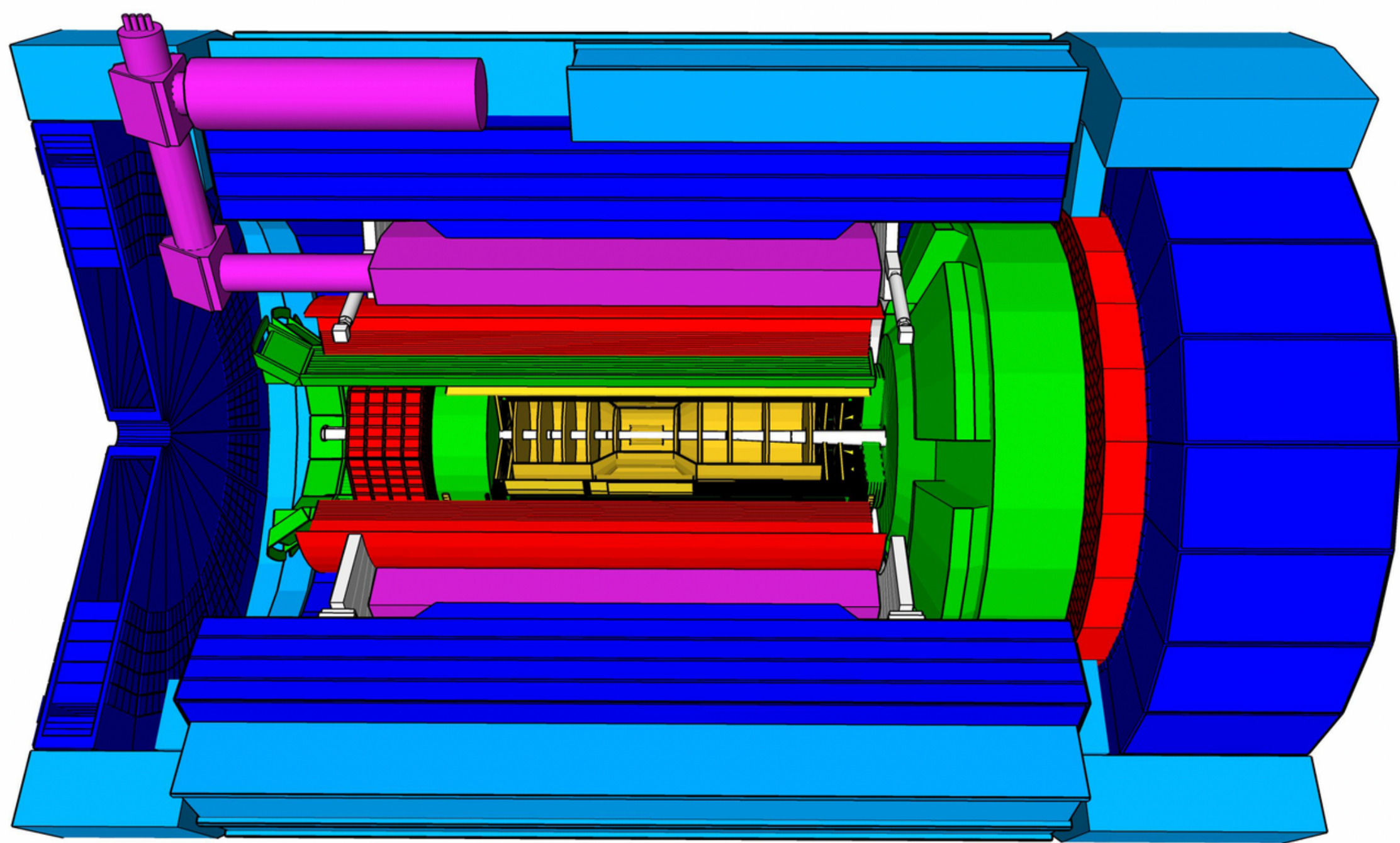
Solenoidal Magnet

e/m calorimeters  
(ECal)

Time of Flight,  
DIRC,  
RICH detectors

MPGD trackers

MAPS tracker



9.5m