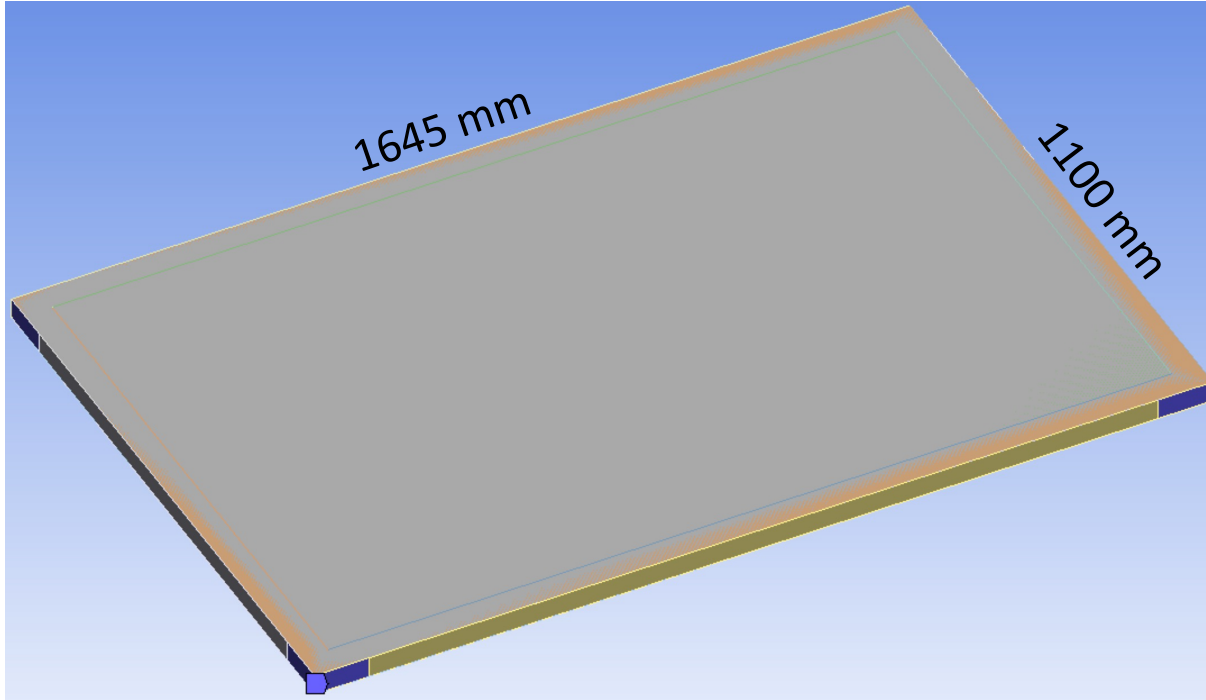
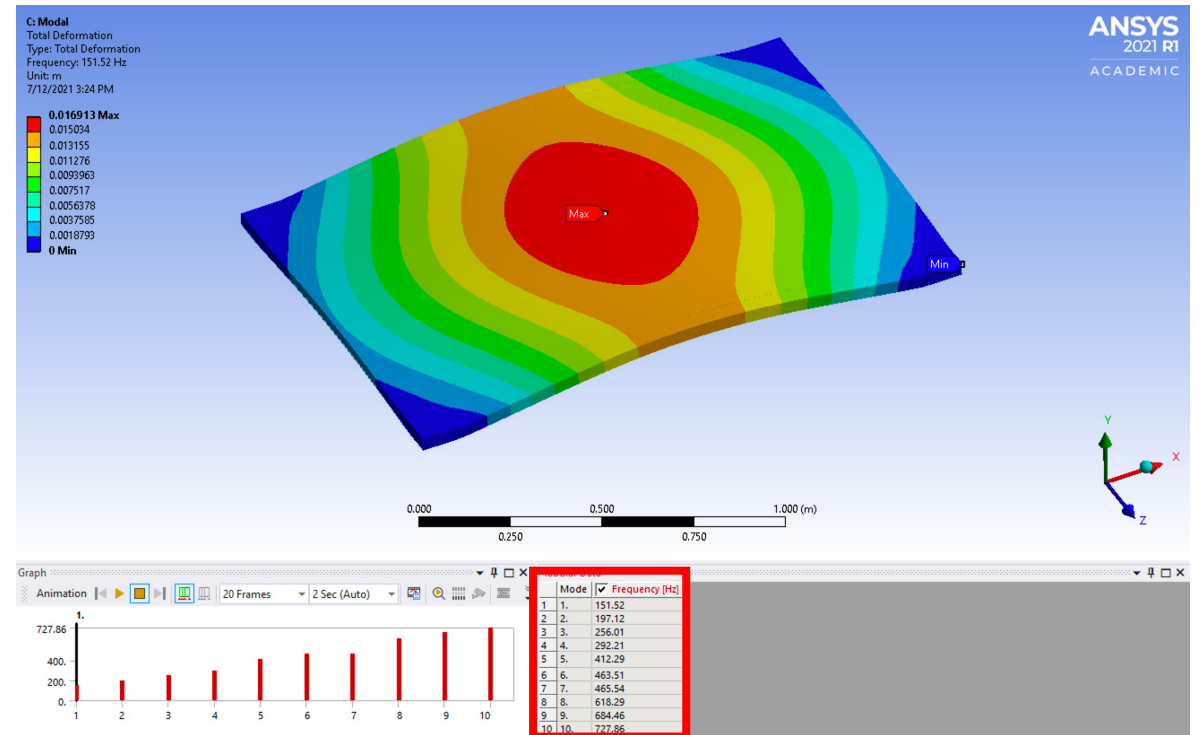


FEM preliminary modal simulations



- Panel dimensions: 1645 x 1100 x 40 mm³
- CF frame, section 50x40 mm²
- HC core, 38 mm thick
- CF skins, 0.6 mm thick
- Fixed constraint on the corners

Tabular Data		
	Mode	<input checked="" type="checkbox"/> Frequency [Hz]
1	1.	151.52
2	2.	197.12
3	3.	256.01
4	4.	292.21
5	5.	412.29
6	6.	463.51
7	7.	465.54
8	8.	618.29
9	9.	684.46
10	10.	727.86



Next steps

- Continue simulations with other core structures/materials
- Improve simulations (mesh, constraints, etc...)
- Simulate assembly with eventual reinforcement structures
- Prototype production and testing for model correlation