

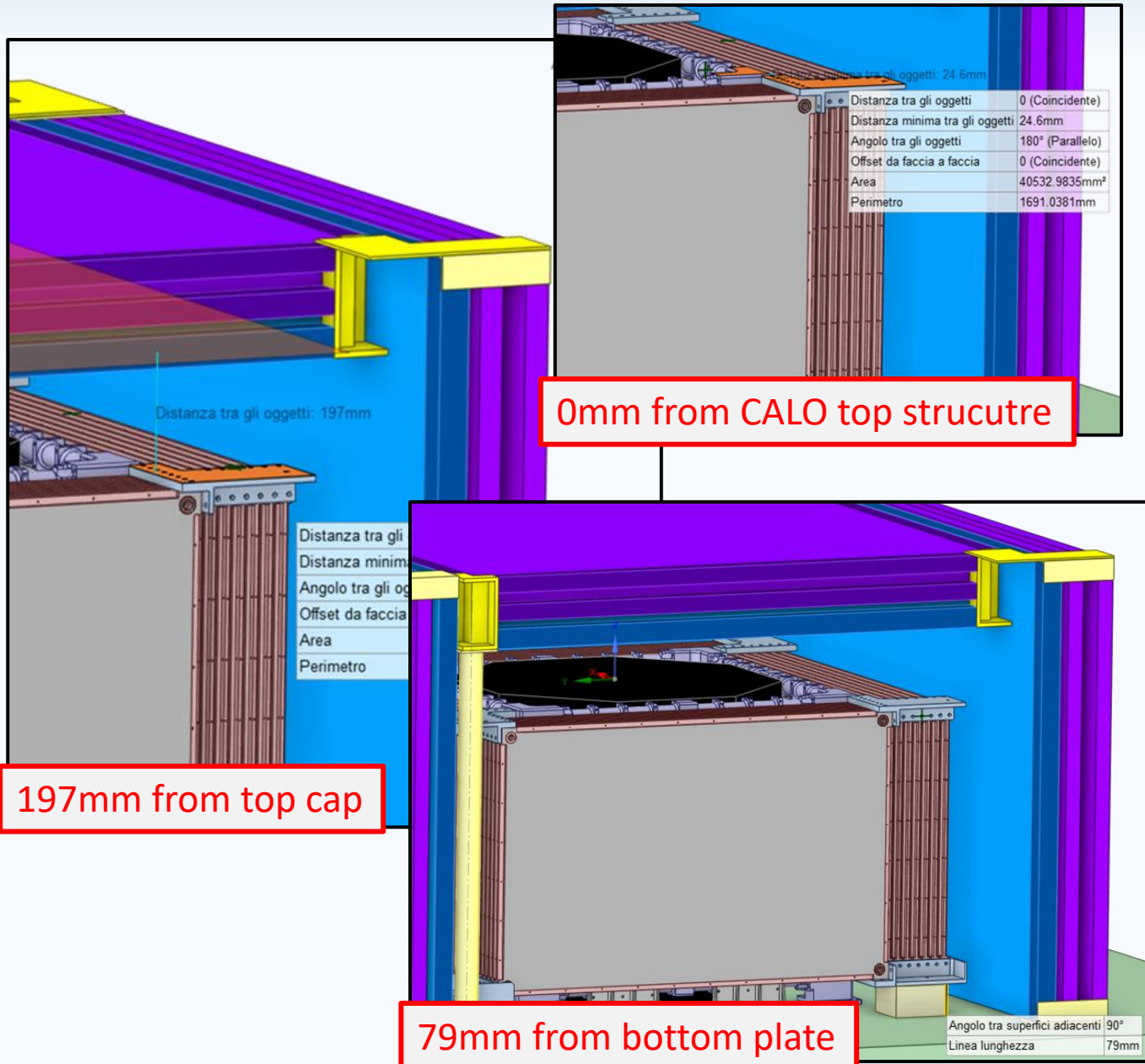


HERD Mechanical
Meeting
July 8th, 2021

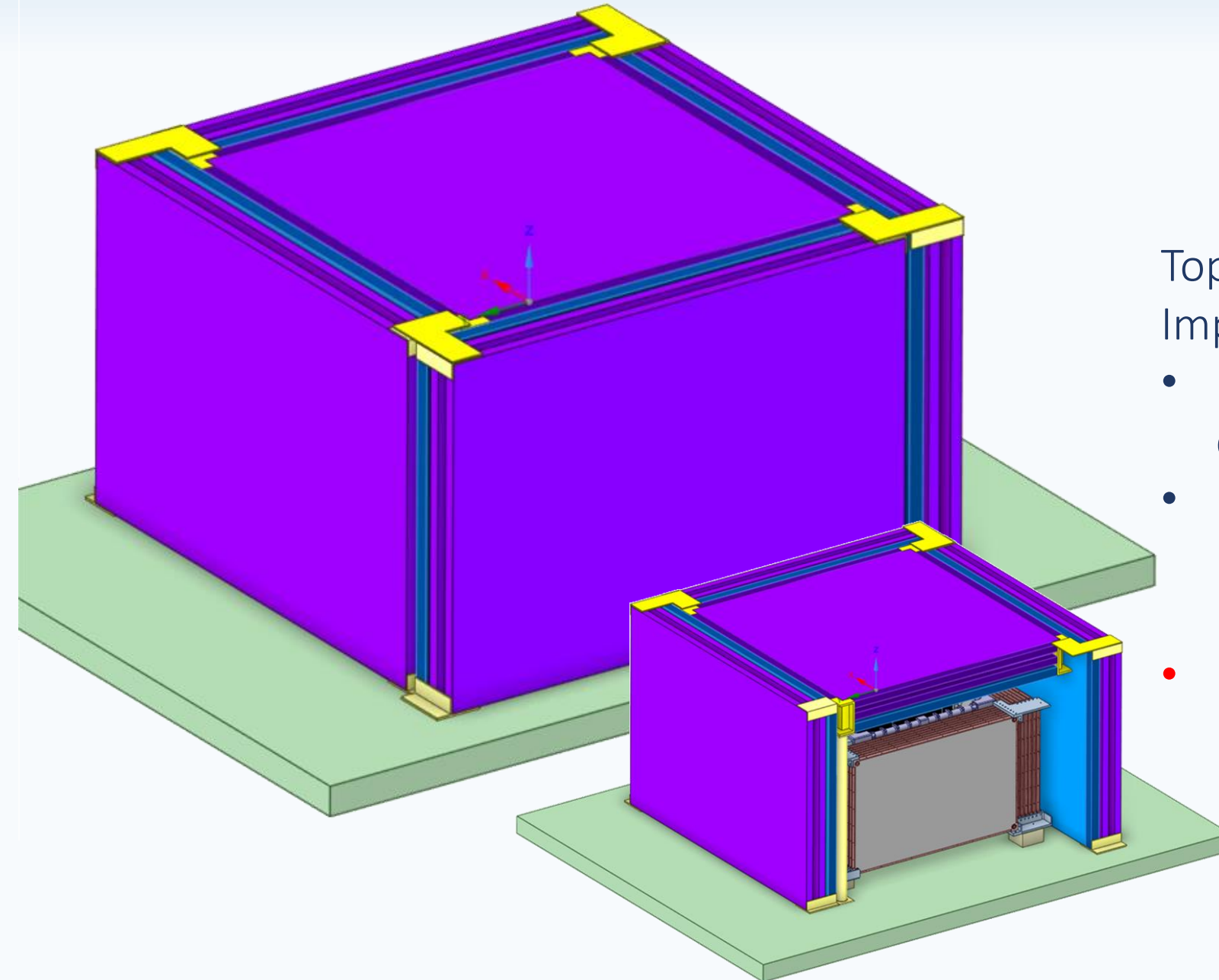
Open points & Update

Mechanical team
Perugia
L. Mussolin, G. Morettini, E. Mancini

TBC



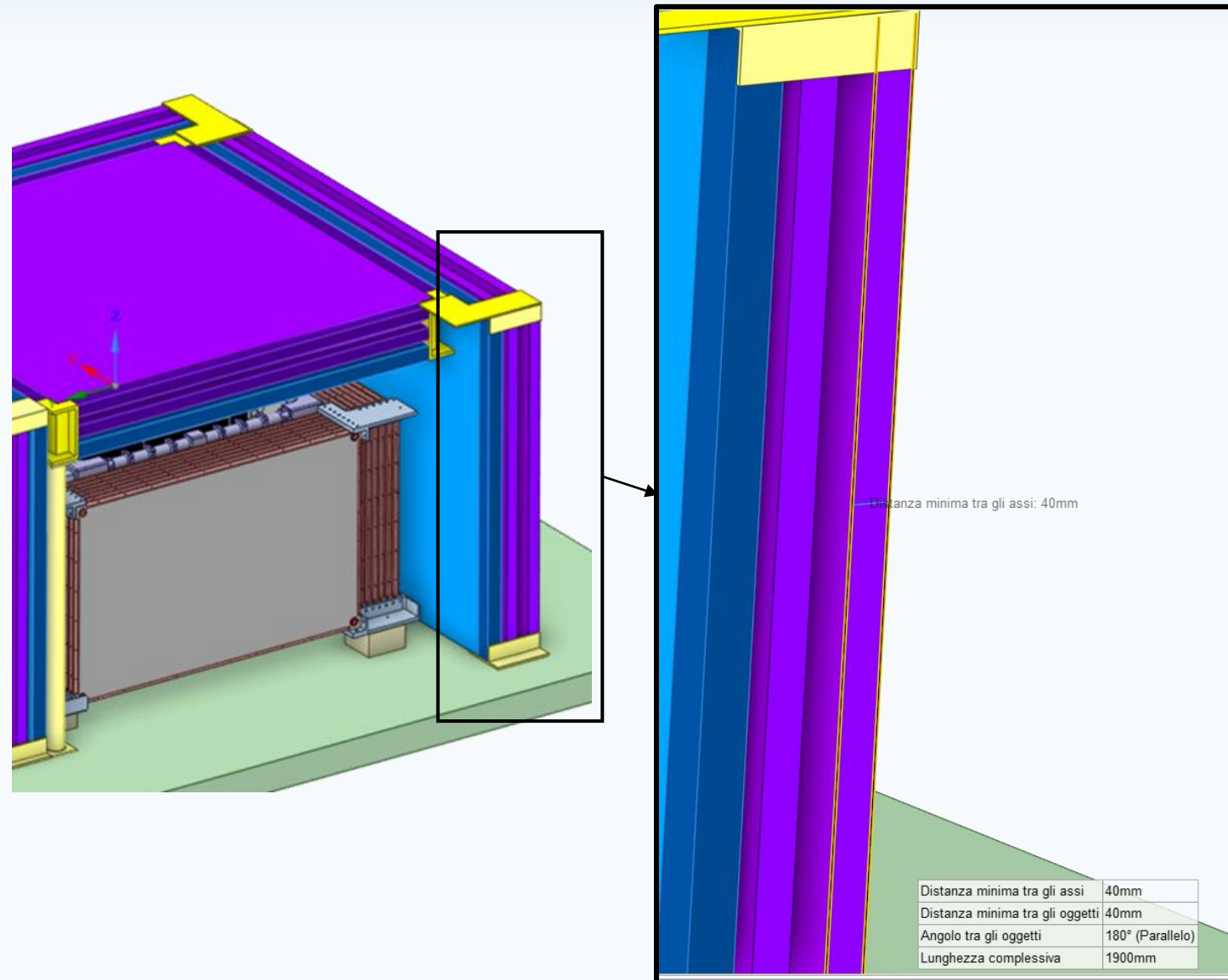
- FIT moved with respect to the previous meeting.
- The bottom clearance is 79mm (smaller than 150mm required by the FIT team for the electronics)
- **Is it possible to pursue this solution? Can the FIT electronics be stacked in the base plate? – IHEP team**
- **Is this fine with the FIT team – FIT team**



Top cover inside the lateral sides

Impacts:

- Nothing changes for the internal detectors
- PSD and SCD top structure has reduced dimensions (closer to the lateral ones)
- **Impact on hermeticity TBD**



We are considering a 2 panel SCD configuration

- Dimensional constraints: preliminary FEM analysis requires thicker SCD panels
- Mass constraints
- **TBD with the SCD physics team**

Impacts on other teams if this solution is confirmed:

- Mechanical decoupling of PSD and SCD (except for angular fixations)
- No participation in the debris shielding

Thanks for the attention!