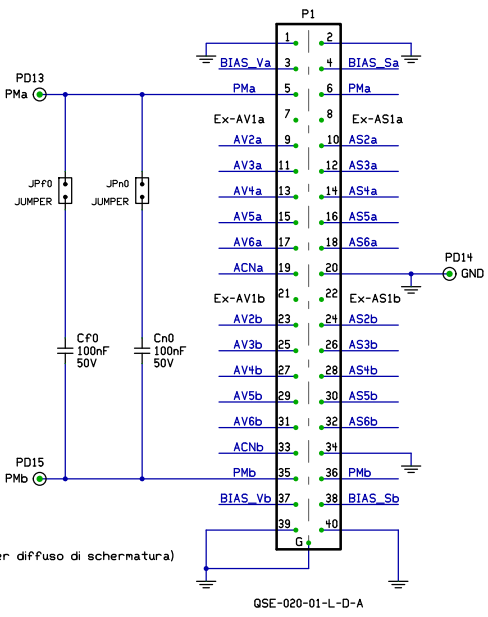


NOTA:  
V-BIAS MAX < 50V



Drill tape data			
Tool Code	Hole Size	Syn bol	Hole Count

Board type: KAPTON FLEX  
 Board thickness: 0.3mm  
 Copper weight: /  
 Layer count: 3

Board should have solder mask over bare copper (SMOBC) with white silk screening on top.  
 View is from the top side of the board.

