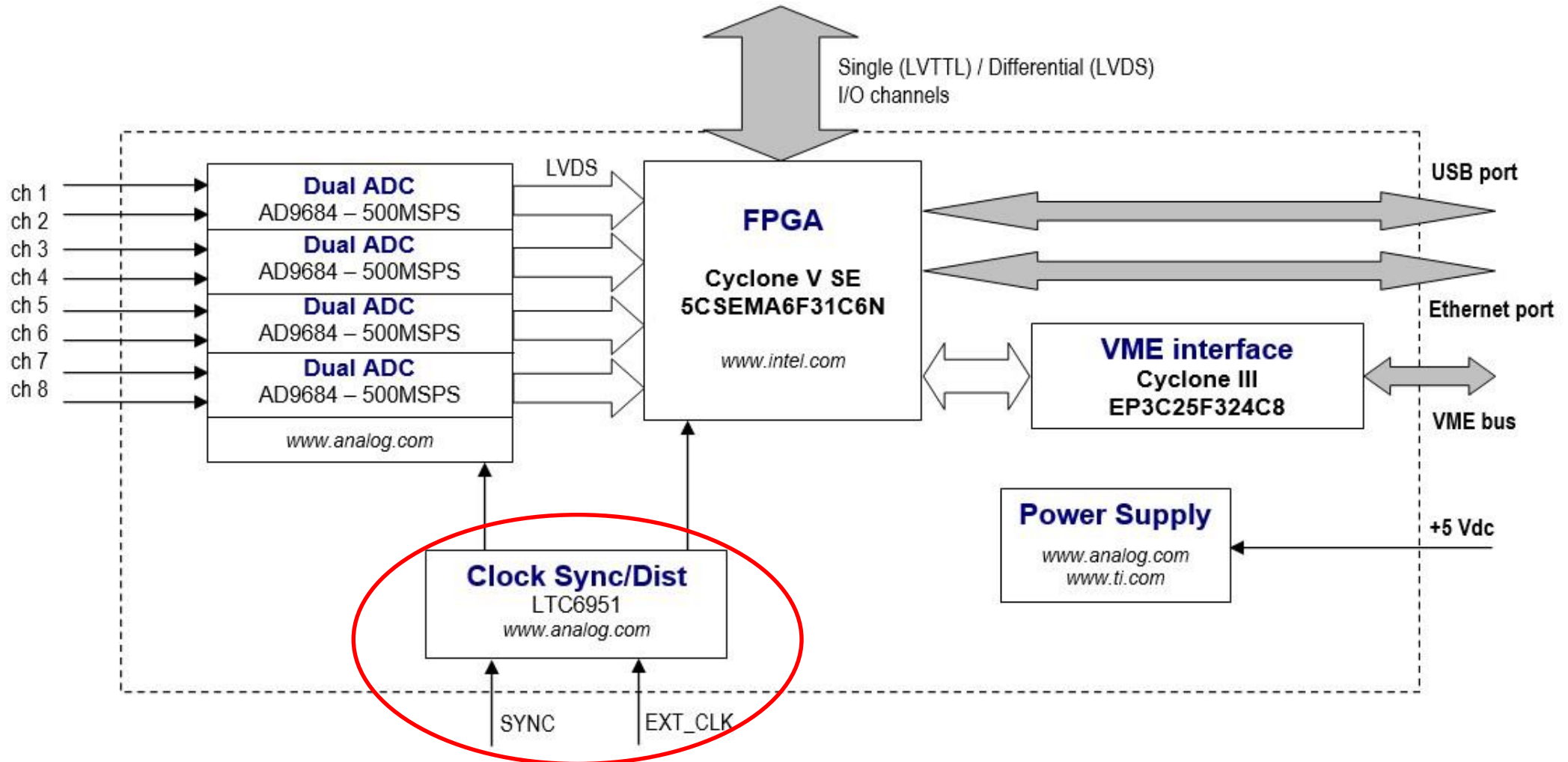


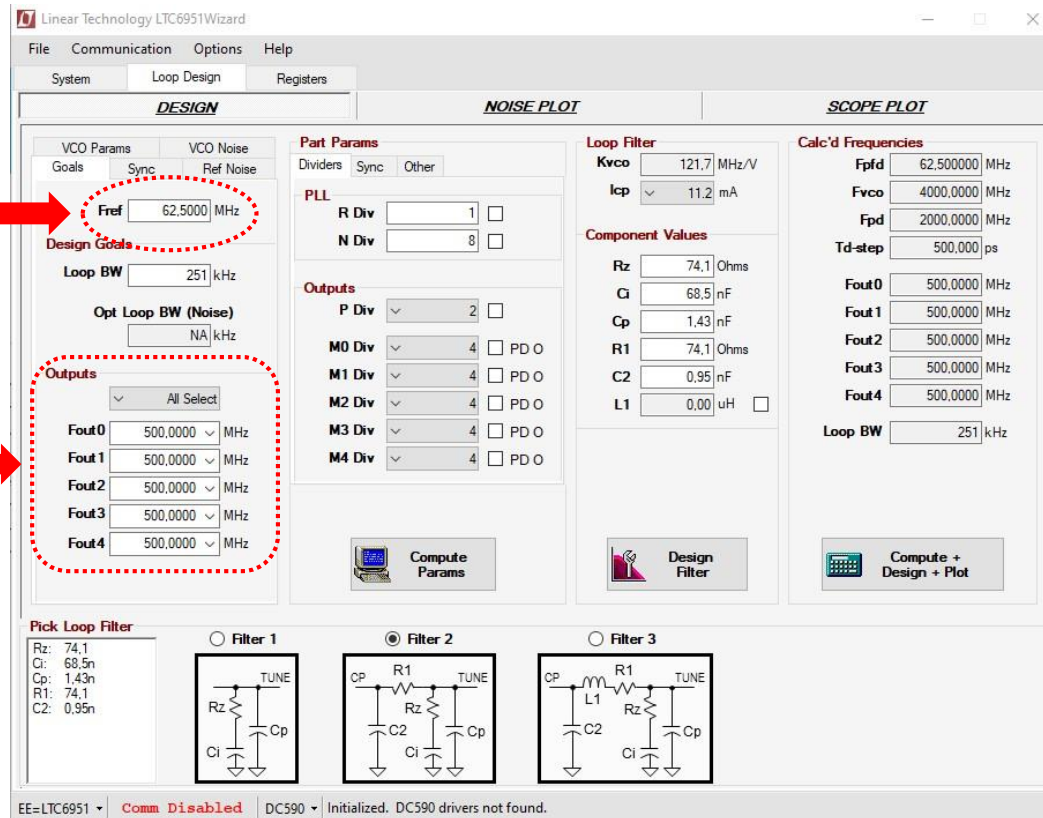
CYGNO

Photomultiplier DAQ: Clock Synchronization

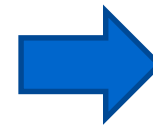
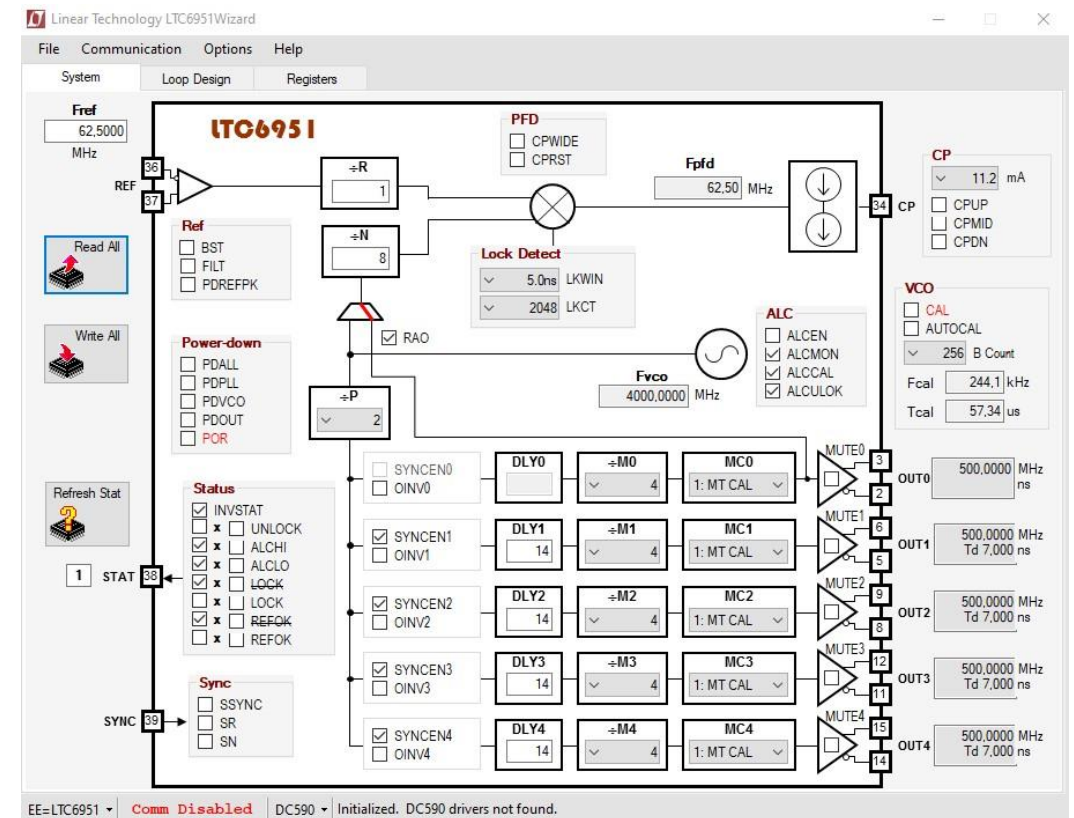
Herman Pessoa Lima Jr

13 Jan 2021

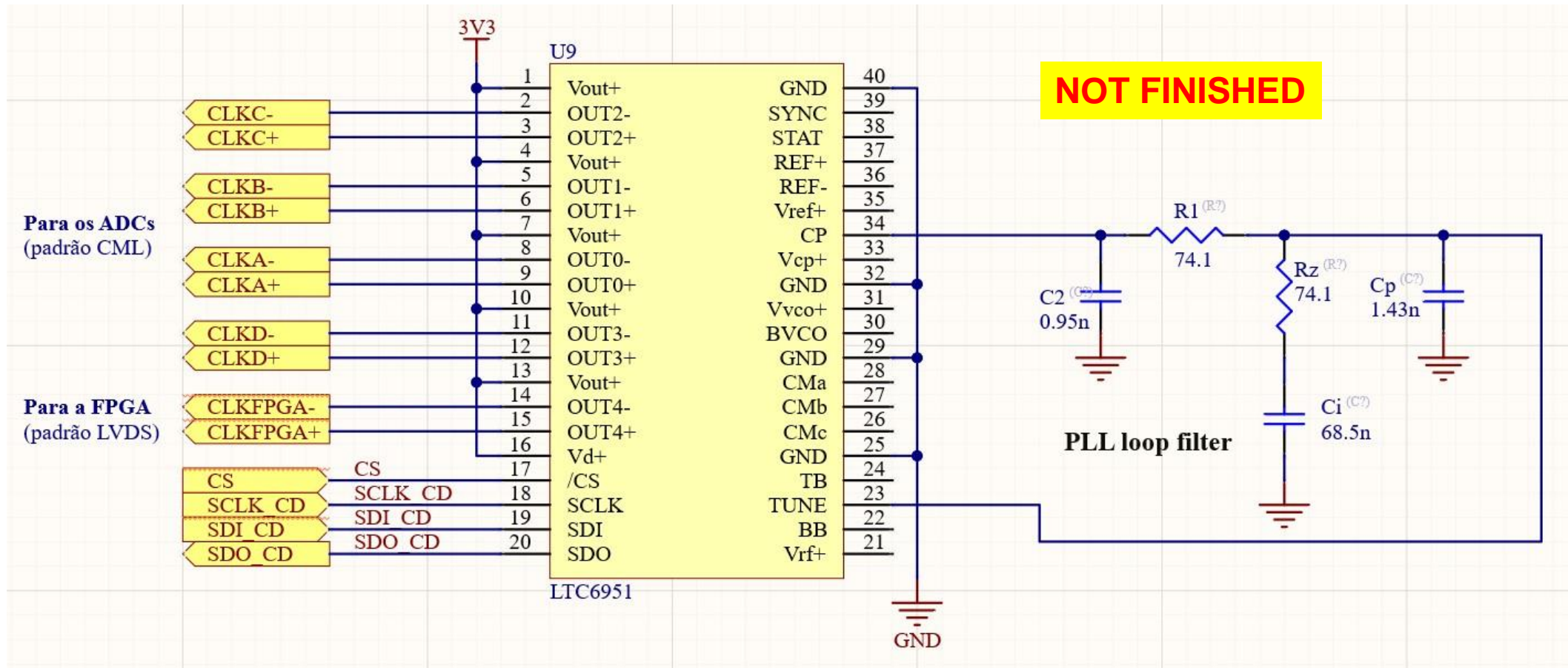




Definition of parameters

Resulting configuration of LTC6951 IC



Example of a 32-channel system:

