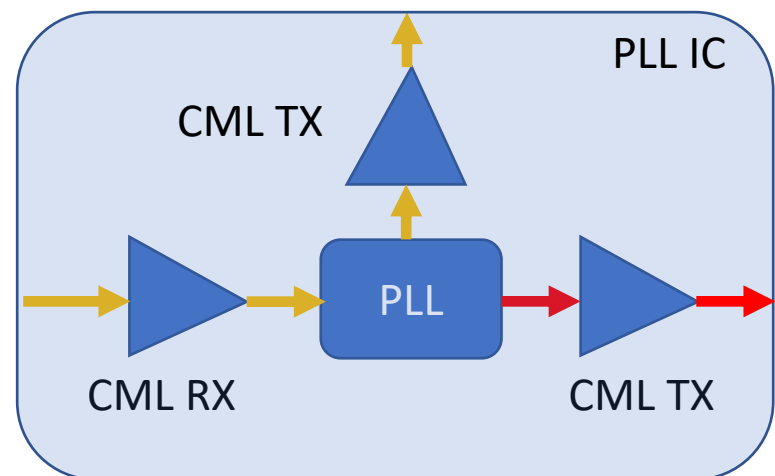
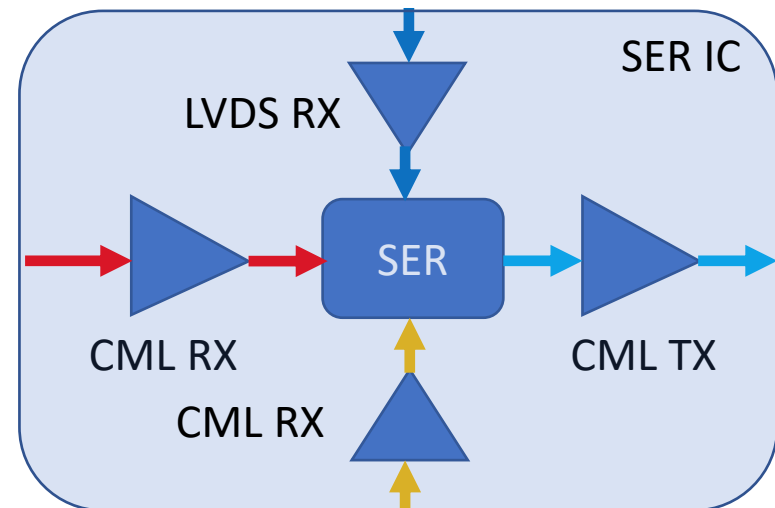
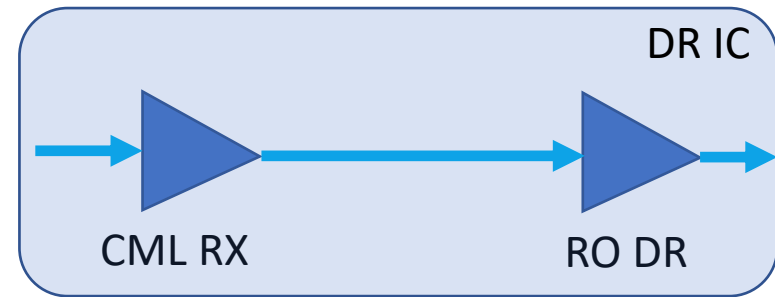
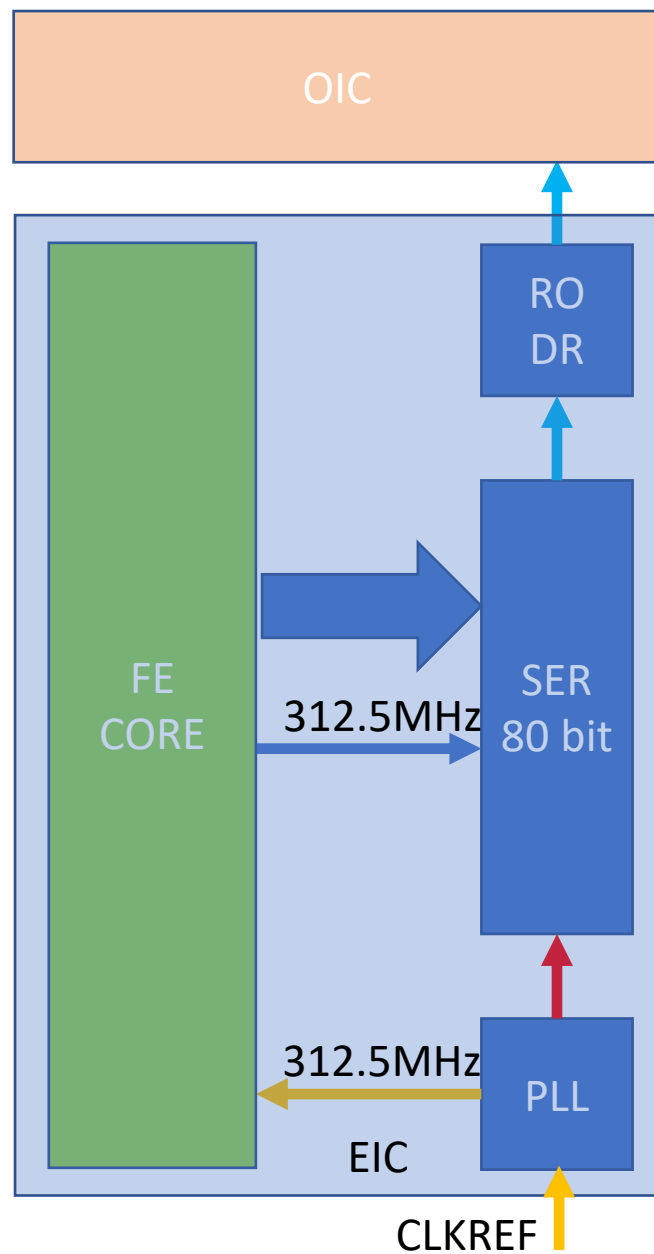
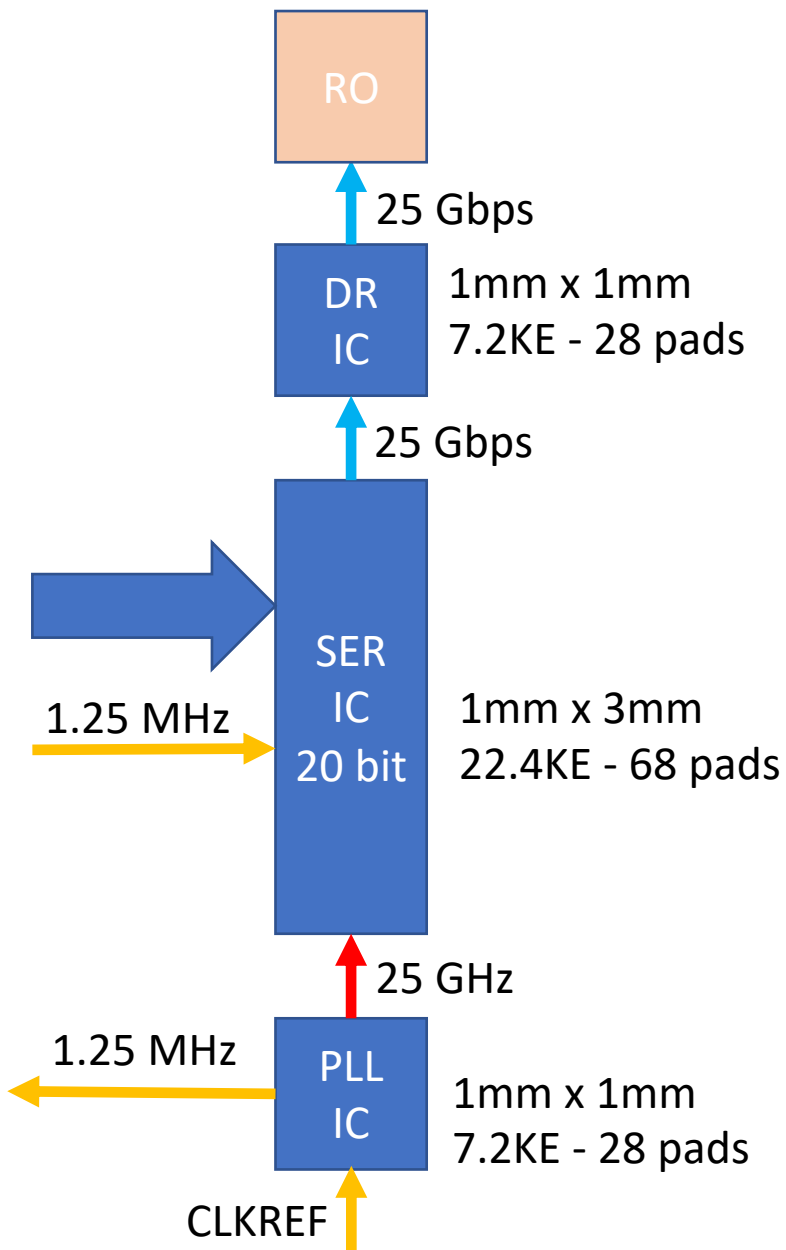
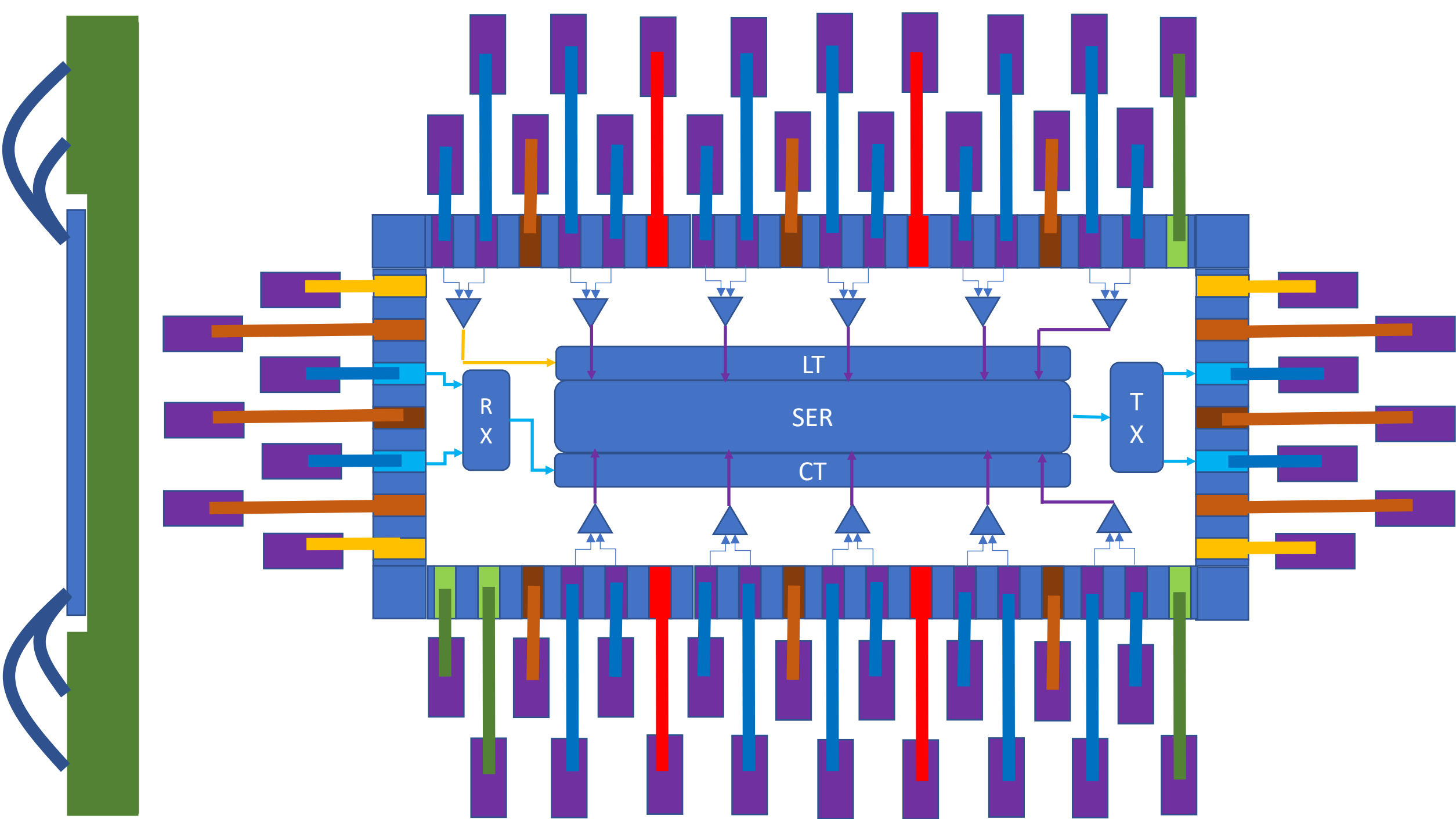


IP Cores for High Speed Electric Links

- 25Gbps Serializer
 - N1 = 20 bits – SCLK1 = 1.25GHz
 - N2 = 80 bits – SCLK2 = 312.5MHz
- 25GHz PLL
 - OUT0 = 25GHz
 - OUT1 = 1.25GHz
 - OUT2 = 312.5MHz
- 25Gbps Ring Oscillator Driver (SD)
- 25GHz CML TX/RX (RCLK,SCLK,FCLK,SD)
- 1.25GHz LVDS RX (DATA & DV)





SER 20 bit vs. SER 10 bit

