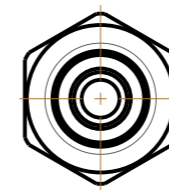
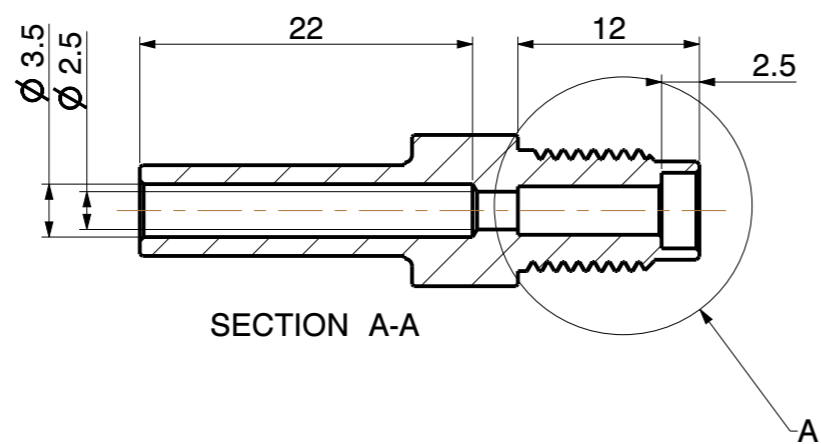
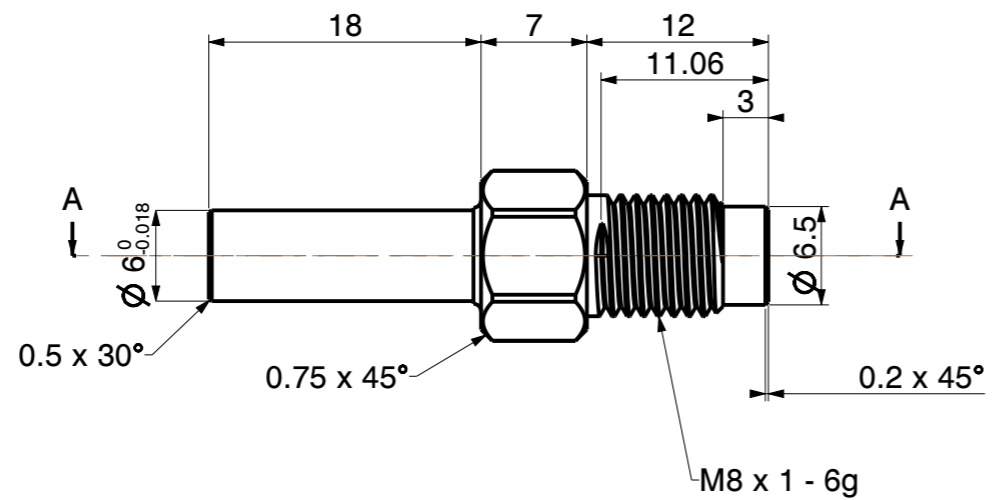
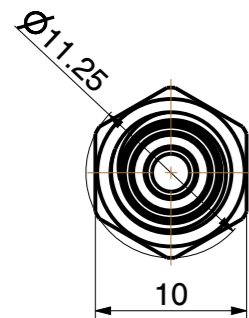
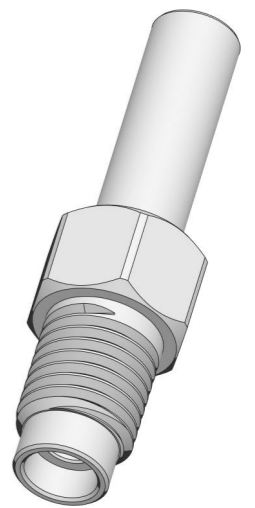
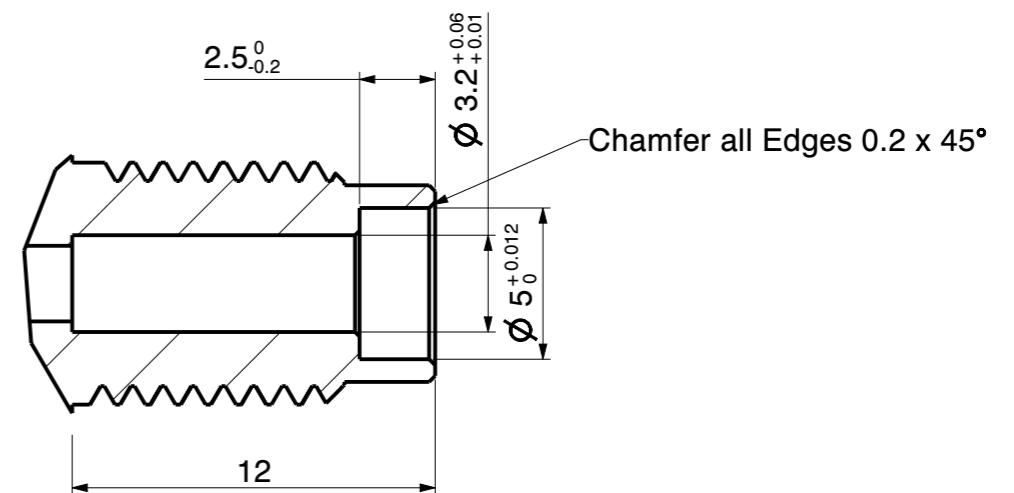




Use Nitrile 'O' ring 1.50 section 2.50 mm Bore 90 ShA
Do not over-tighten

8	TITANIUM_CUP_2_275	TITANIUM	1	
7	QMUL-PIX-148	AISI_316	1	
6	QMUL-PIX-146	BRASS	1	
5	QMUL-PIX-144	AISI_316	1	
4	EB_SPIGOT_18_2275_L	STEEL	1	
3	EB_18_2275_2275_L		1	
2	EB_10_4_1_8_CERAMIC	CERAMIC	1	
1	2-5_1-5_NITRILE_90_SHA_O_RNG	BRN	1	
Pos.	Description	Material	Q.ty	Drawing n°
Designed	Checked	Date	Rev.	Deg. of acc. UNI EN 22768
Mercenaro A.	Rossi C.	10/11/20	0	mK
Scale 5.000 1				
Description				
De Mountable Test Coupling				
A2	Experiment	Group	Drawing n.	
	ATLAS ITk	1	ITKDRW0110	



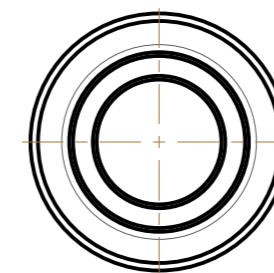
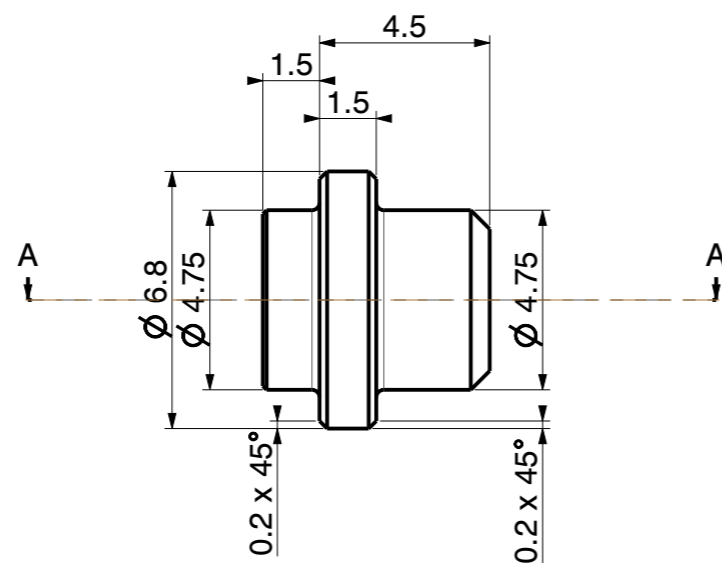
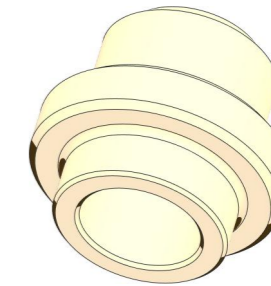
A(4.000)
'O' RING HOUSING



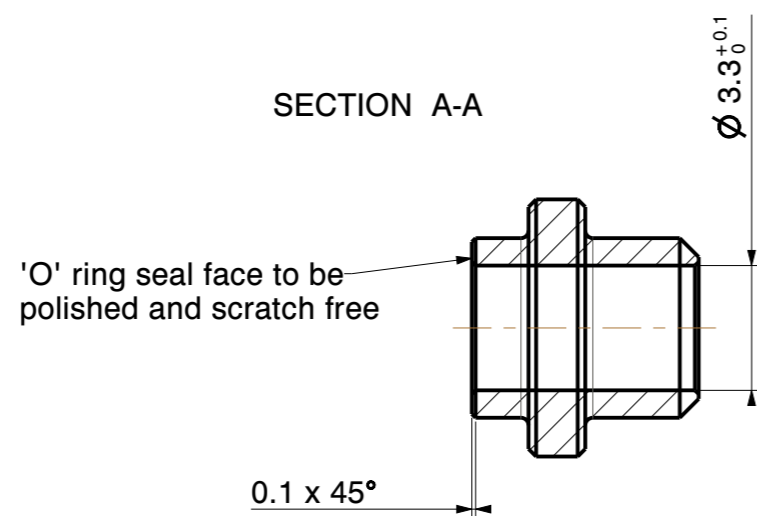
Chamfers and round not specified		Roughness		Material		 	
0,5x45° R 0,5		✓		AISI 316			
Designed	Checked	Date	Rev.	Deg. of acc.	UNI EN 22768	Scale	Q.ty
Mercenaro A.	Rossi C.	10/11/20	0	mK		2.000	



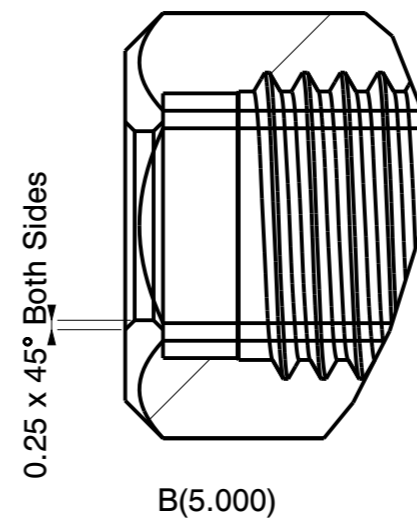
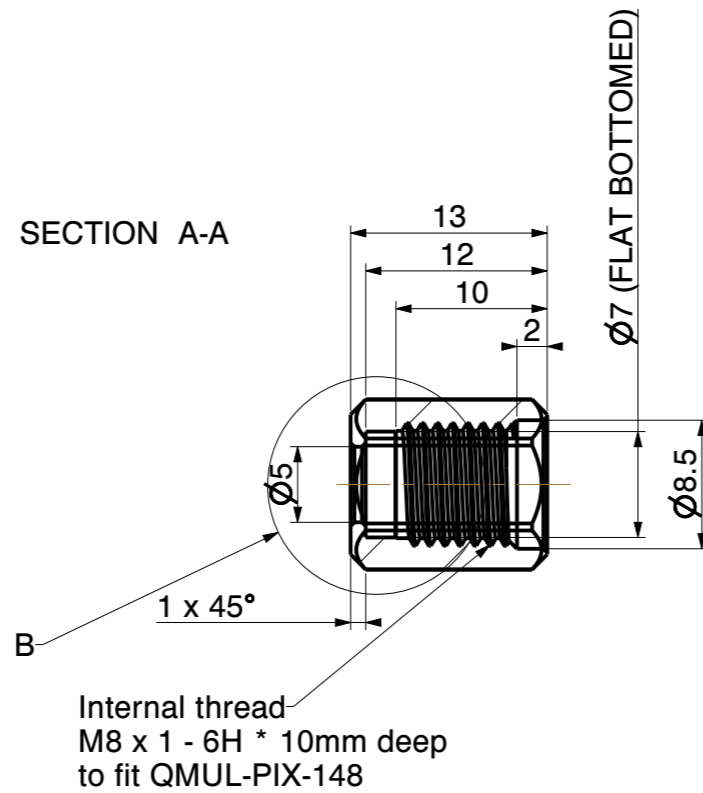
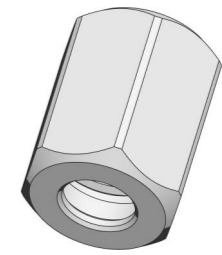
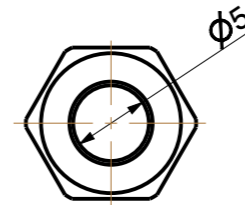
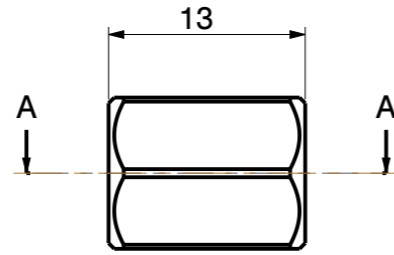
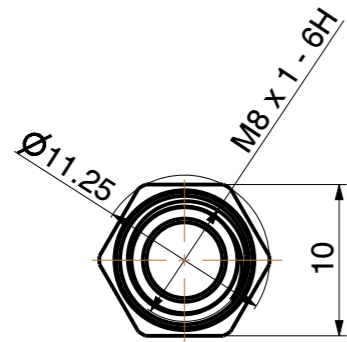
Description			
Straight De-Mountable Coupling			
A3	Experiment	Group	Drawing n.
	ATLAS ITk	1	ITKDRW0110-1



SECTION A-A



Chamfers and round not specified		Roughness		Material			
0,5x45° R 0,5				BRASS			
Designed	Checked	Date	Rev.	Deg. of acc.	UNI EN 22768	Scale	Q.ty
Mercenaro A.	Rossi C.	10/11/20	0	mK		5.000	
Description							
'O' Ring Compression Washer							
 Istituto Nazionale di Fisica Nucleare		A3	Experiment	Group	Drawing n.		
			ATLAS ITk	1	ITKDRW0110-2		



Break all sharp edges

Chamfers and round not specified		Roughness		Material			
0,5x45° R 0,5				AISI 316			
Designed	Checked	Date	Rev.	Deg. of acc.	UNI EN 22768	Scale	Q.ty
Mercenaro A.	Rossi C.	10/11/20	0	mK		2.000	
Description							
De-Mountable Coupling Nut							
 Istituto Nazionale di Fisica Nucleare		A3	Experiment	Group	Drawing n.		
			ATLAS ITk	1	ITKDRW0110-3		