

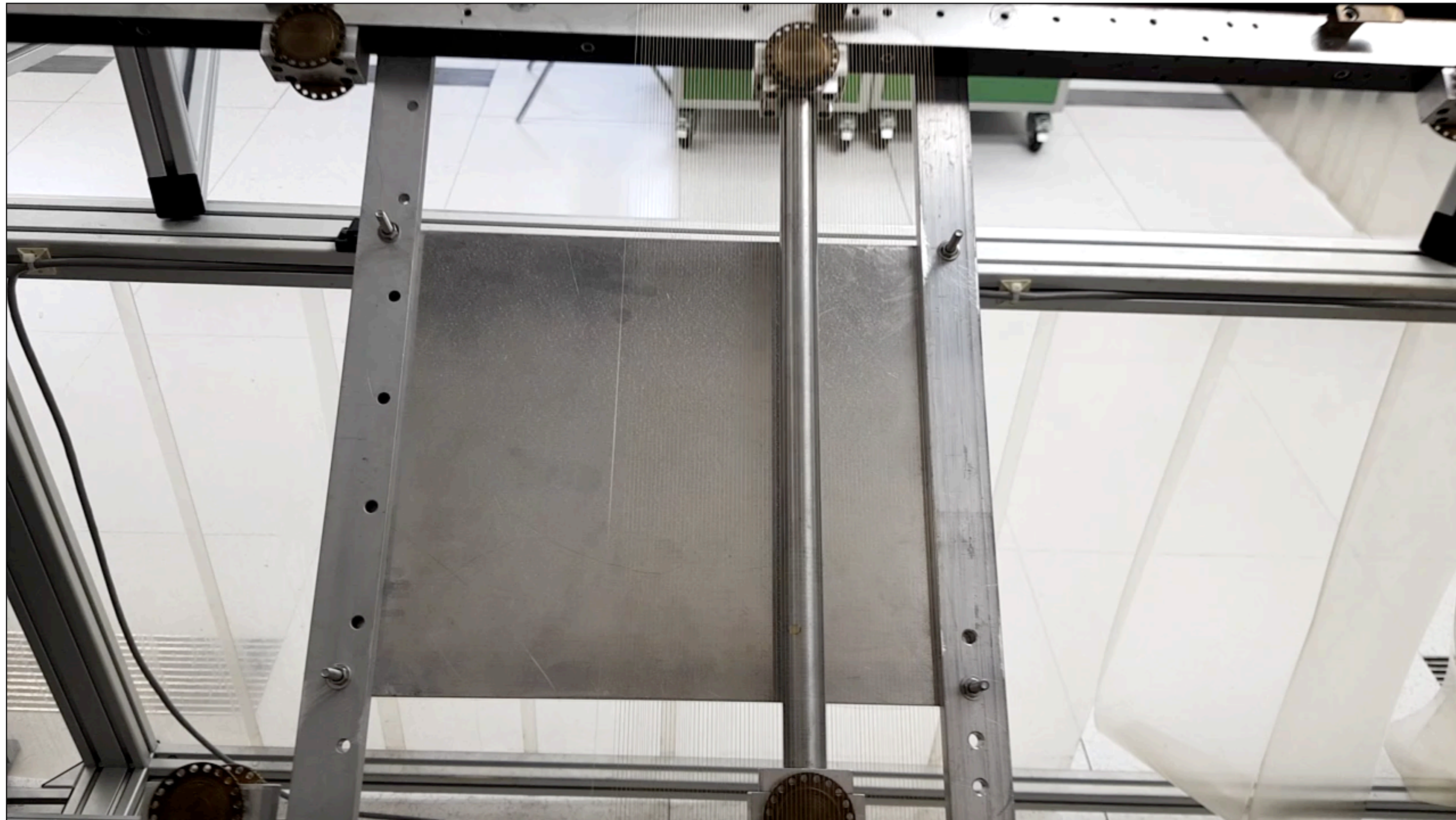
Integration - update
29/10/2020

to do list

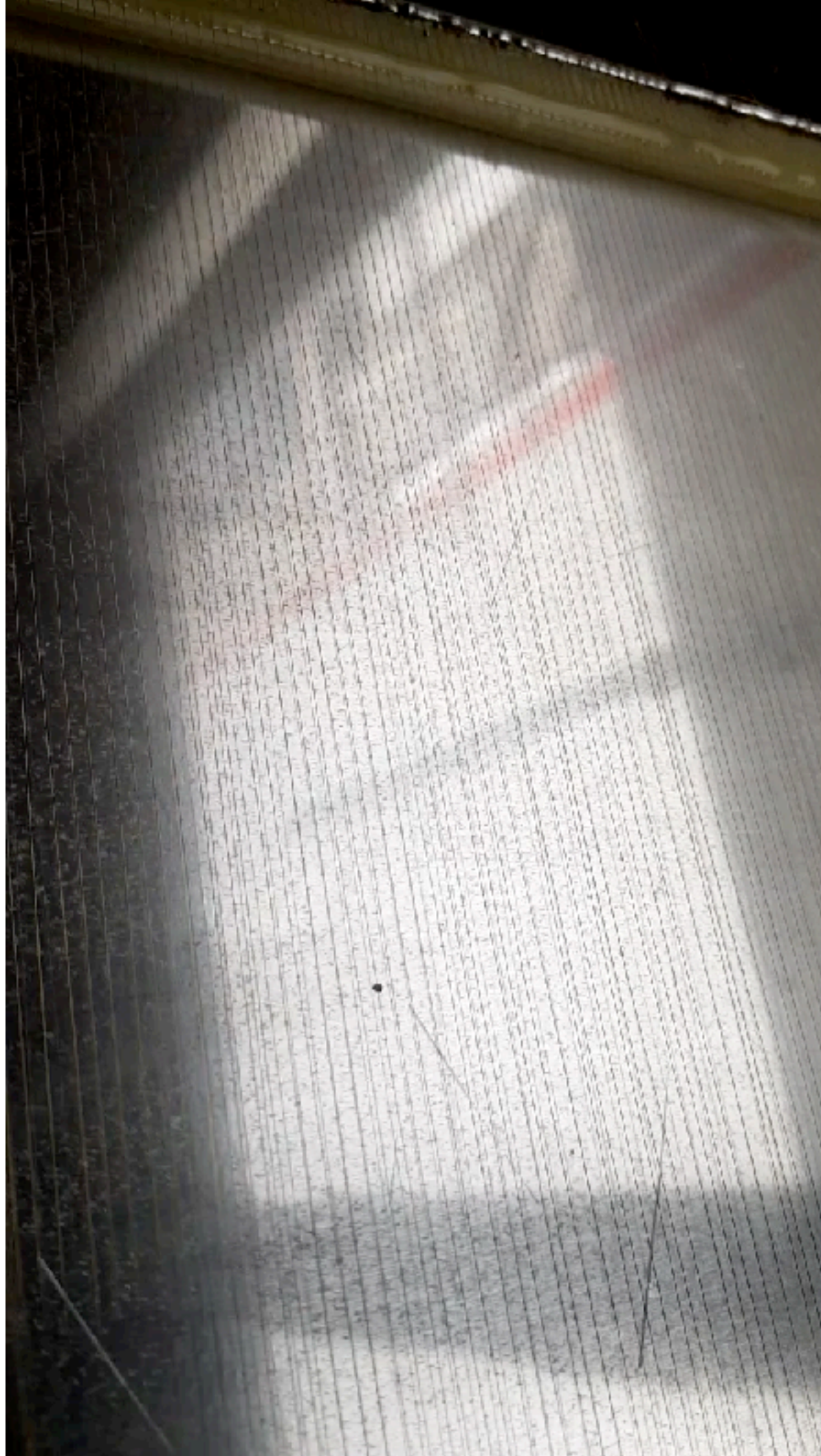
- box KFC with source window
- box KFC with no wall
- MANGO² * 2 (Brasil + test luminescence long drift)
- LEMON box (painting for design)
- LEMON mash (done) LEMON mash with Cu wire
- Frame LIME chatode
- Frame LIME lomba/mash/kentaro
- low and high conductivity transparent sheet search (on going).
- LOMBA cathode
- trolley (done) and Faraday cage per LIME 2
- PMT LIME (3D printing)



Luminescence Test on LEMON



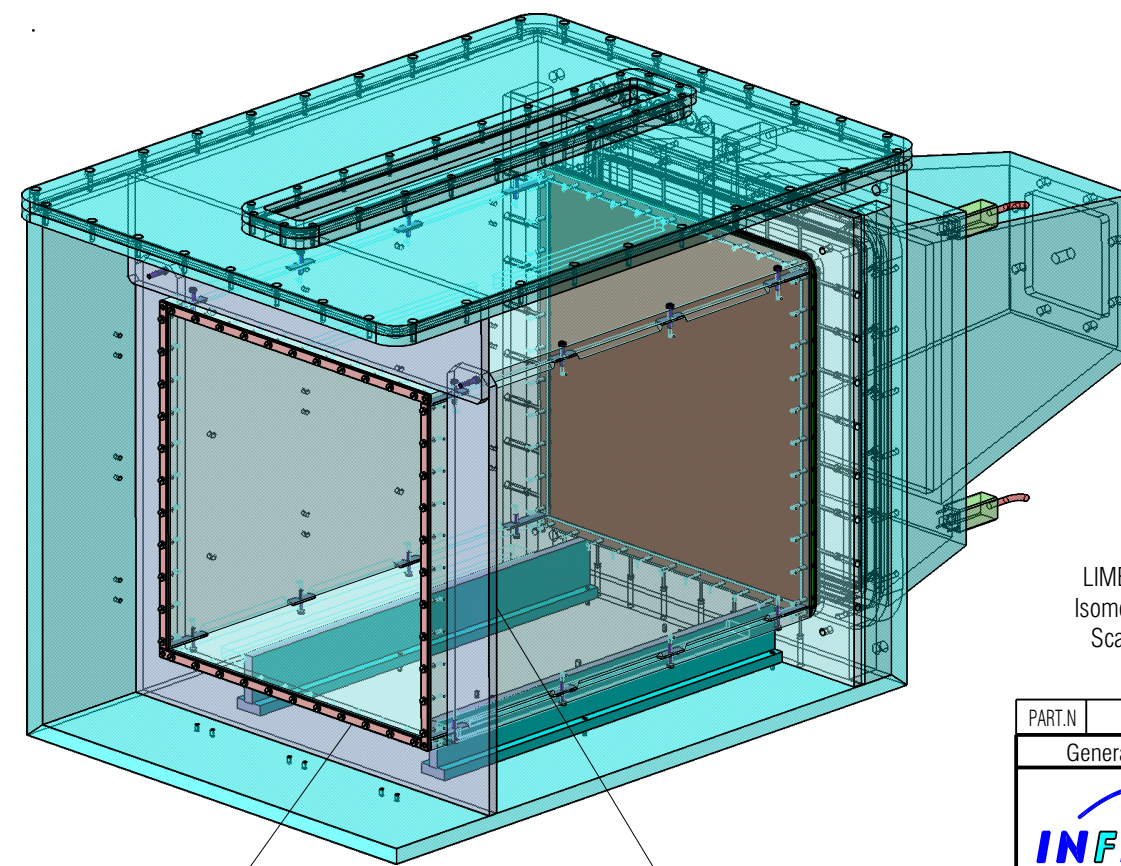
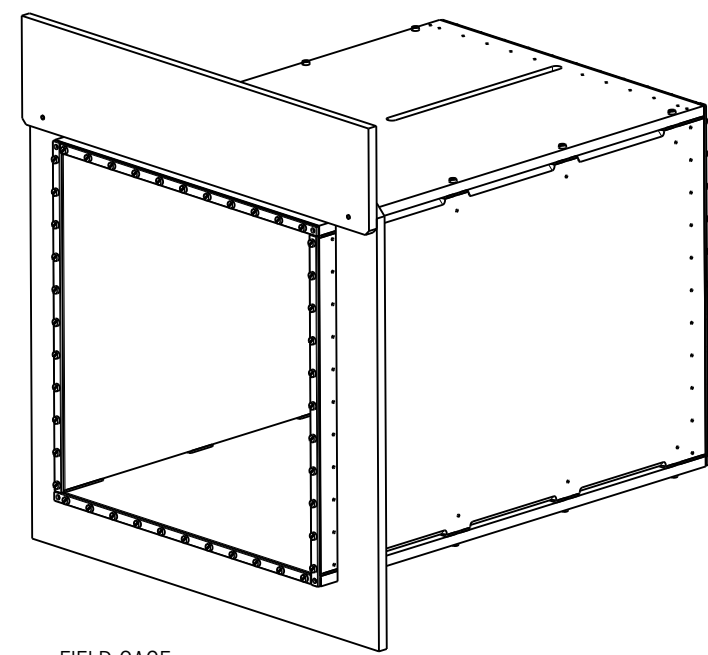
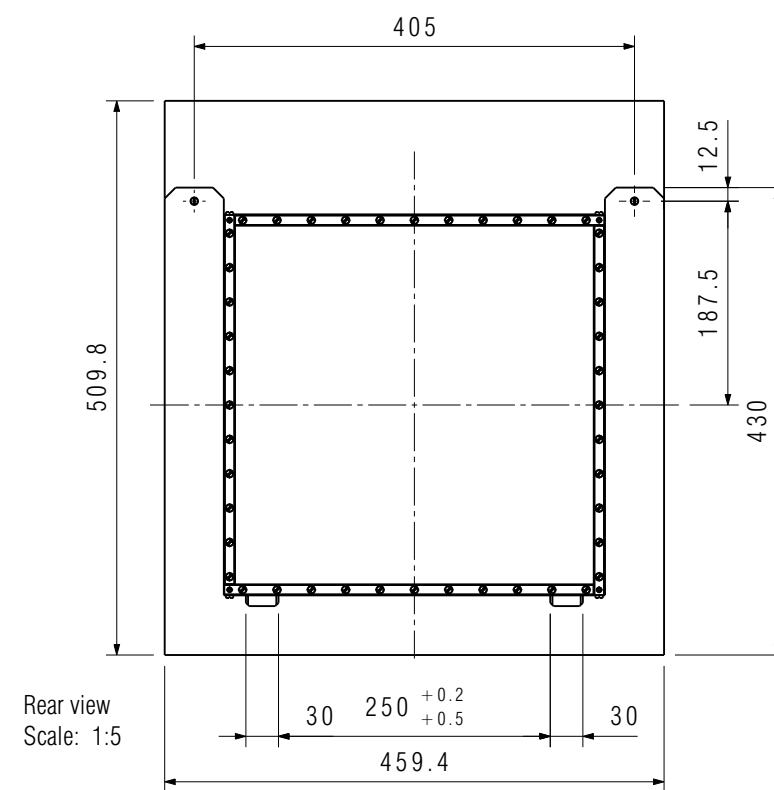
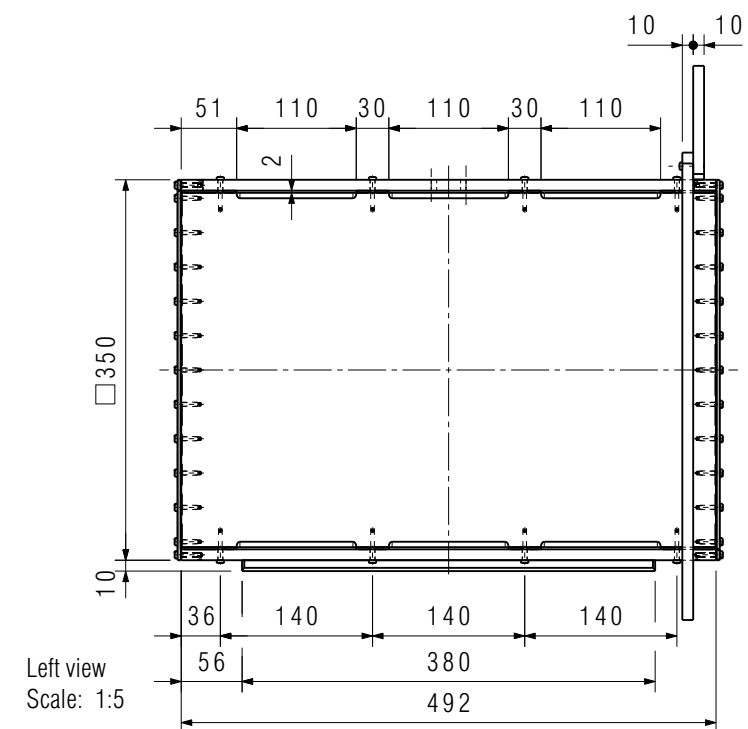
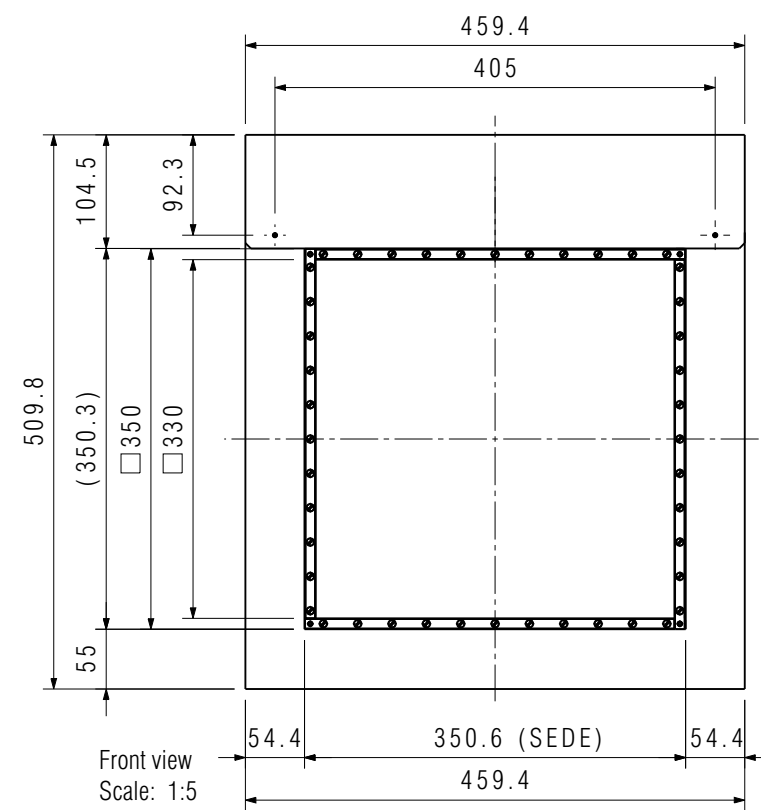
LEMON mash



other

- MANGO mash has been refurbished, tested up to 4.3ke/3mm
- no news from LNGS (I have also pushed Stefano)
- palazzi is working on the new KFC support design

new KFC dedesign



LIME SETUP
Isometric view
Scale: 1:5

PART.N	DRAWING	MATERIAL	DENOMINATION	
			General tolerance ISO 2768-mK-E	Geometrical tolerance ISO 8015-E
NATIONAL INSTITUTE FOR NUCLEAR PHYSICS FRASCATI NATIONAL LAB RESEARCH DIVISION - SEM		SIZE A2	REVISION	DATE
		PROJECTION	DATE	DATE
CYGNO EXPERIMENT LIME DETECTOR FIELD-CAGE ASSEMBLY (MODIFICA)		SCALE 1:5	DATE 22/10/2020	DATE
		SHEET 1/1	DATE	DATE
		KFC-ASSY+		

