

DAQ development status

Herman Pessoa Lima Jr
Danilo Cardoso
Tiago Oliveira

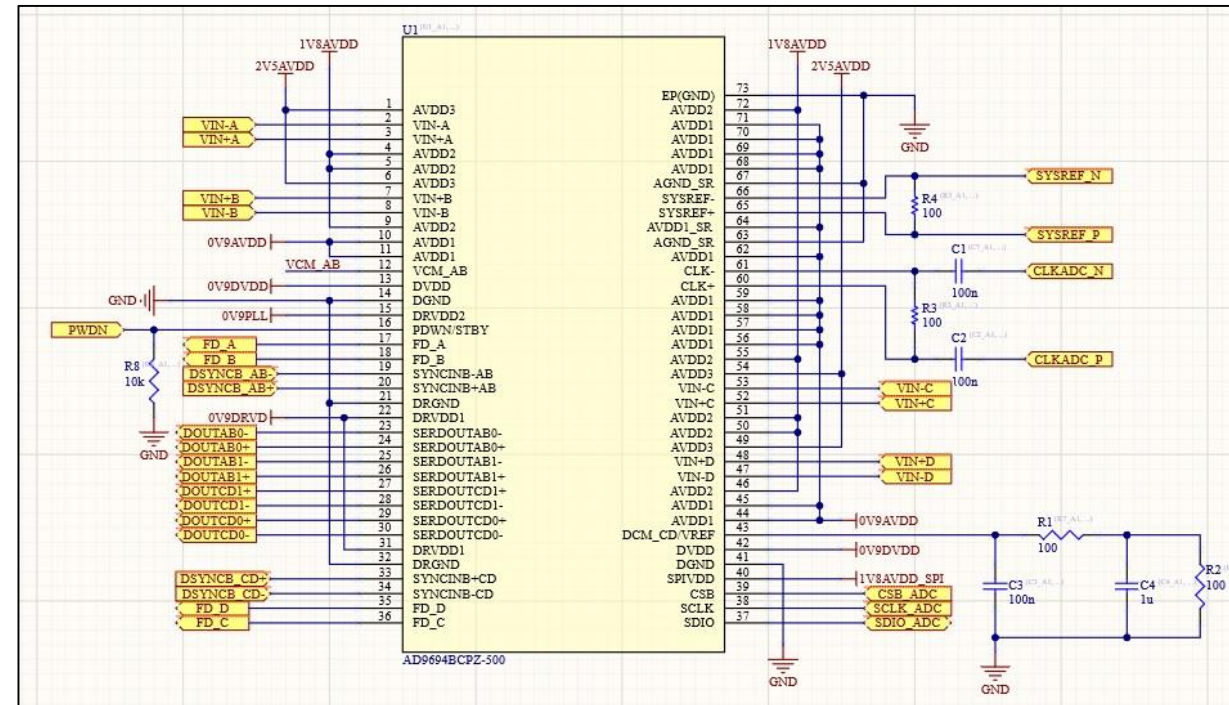
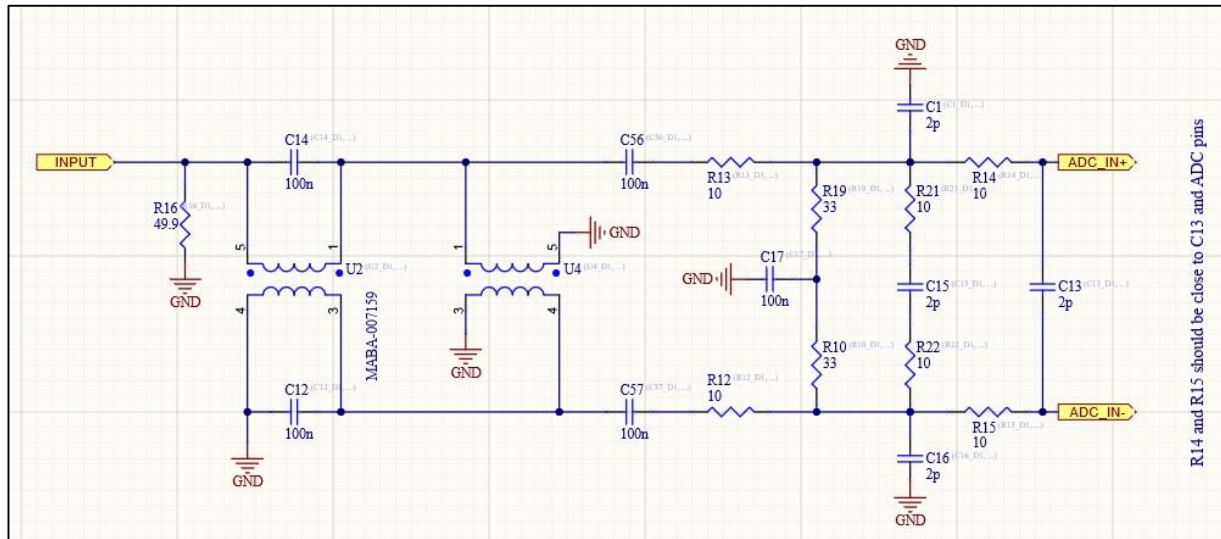
16 sep 2020

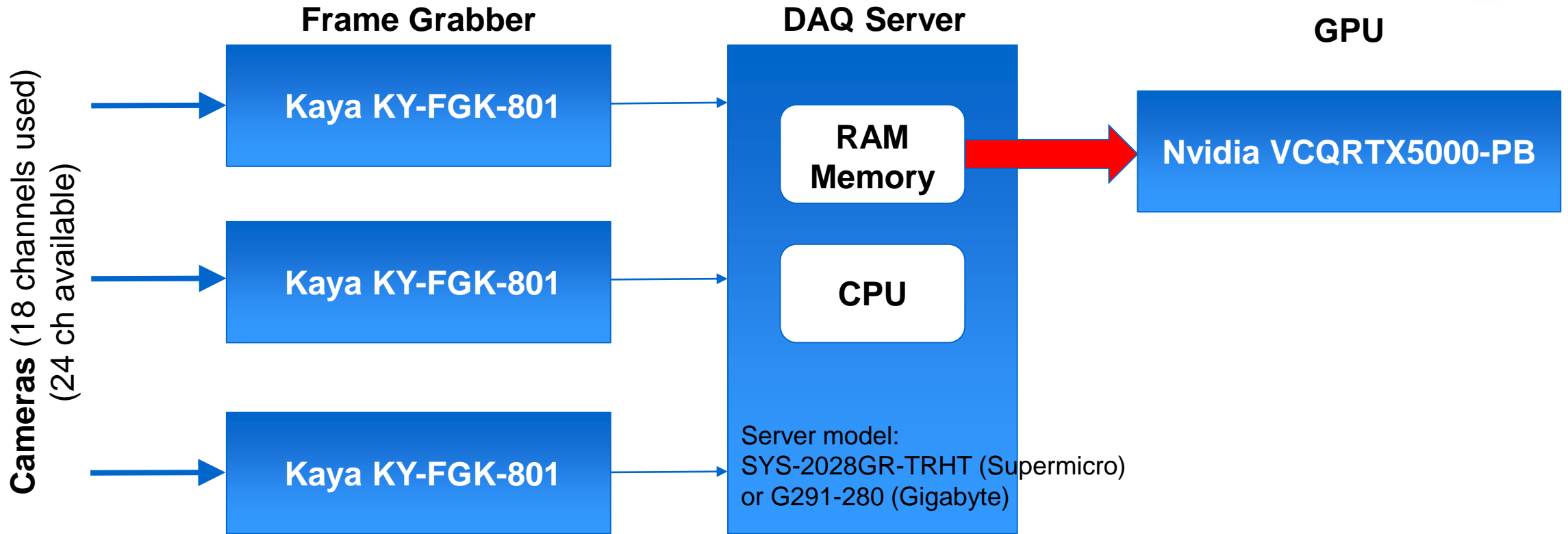
- **SiPM readout:**

- Survey and selection of technologies/devices: ADC, FPGA, μ C. **DONE**
- Drawing electrical schematics (see next slide): analog input circuit, ADC connections, microcontroller circuit. **DONE**
- Drawing electrical schematics: FPGA circuit. **NEXT**

- **Camera readout:**

- Survey and selection of technologies/models (frame grabber, GPU, DAQ server). **DONE**
- Survey of storage solutions for physics data (images/waveforms). **DOING**
- Studying the best option of GPU based on programming issues and performance (Amaro, Igor, Tiago). **DOING**





** Estimated prices*

| Item | Device | Manufacturer | Model | Vendor contact | Qty | Unit Price (USD) | Total Price (USD) |
|------|---------------|--------------|-------------------|----------------|-----|------------------|--------------------|
| 1 | Frame Grabber | Kaya | Komodo KY-FGK-801 | | 3 | \$1.750,00 | \$5.250,00 |
| 2 | Server | Supermicro | SYS-2028GR- TRHT | | 1 | \$3.942,00 | \$3.942,00 |
| 3 | GPU | NVidia | VCQRTX5000-PB | | 1 | \$2.199,99 | \$2.199,99 |
| | | | | | | TOTAL | \$11.391,99 |