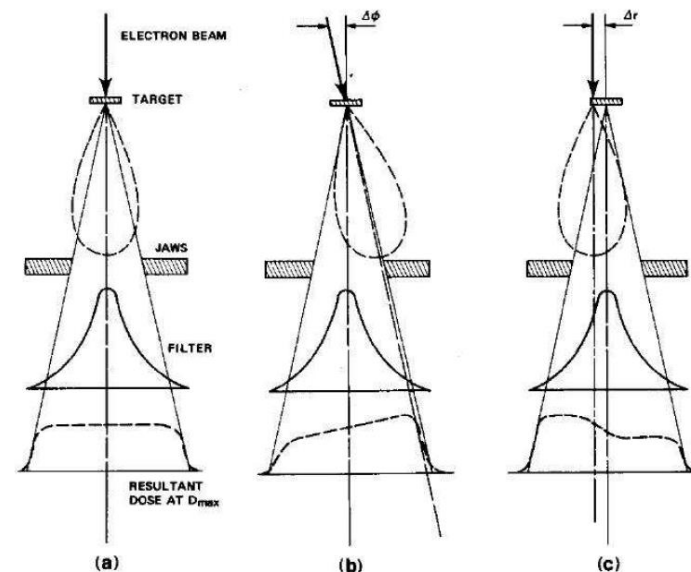
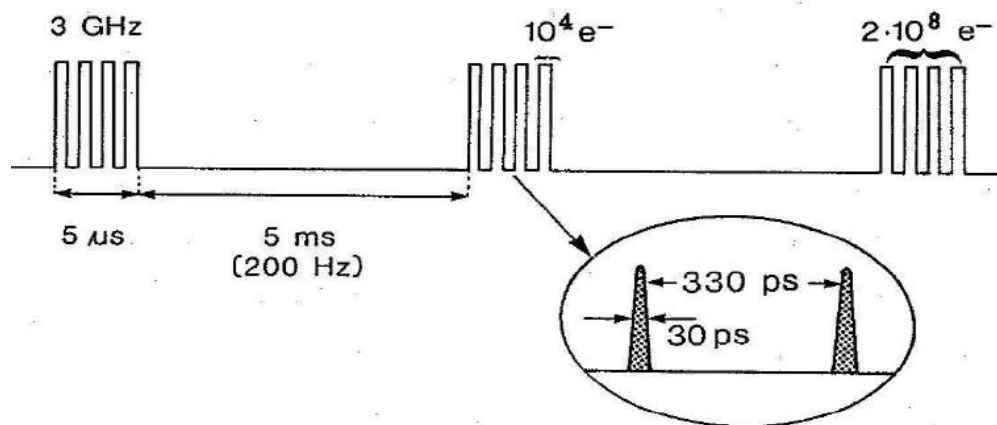


LINAC beam structure (e⁻ or X rays)



Typical beam parameter:

Radiation: electrons or Bremsstrahlung photons

(Macro) pulse duration:	$\approx 5 \mu\text{s}$.
PRF:	$\sim 200 \text{ Hz}$ (i.e. 5 ms period).
(Micro) pulse frequency:	$\sim 3 \text{ GHz}$ (i.e. 330 ps period).
(Micro) pulse duration:	$\sim 30 \text{ ps}$.
Beam quality:	$6\text{-}18 \text{ MV}$ (photons). $6\text{-}18 \text{ MeV}$ (electrons).
Dose rate:	$0.5\text{-}4 \text{ Gy/min}$
Dose:	$0.3\text{-}0.5 \text{ mGy/pulse}$ (flattened)