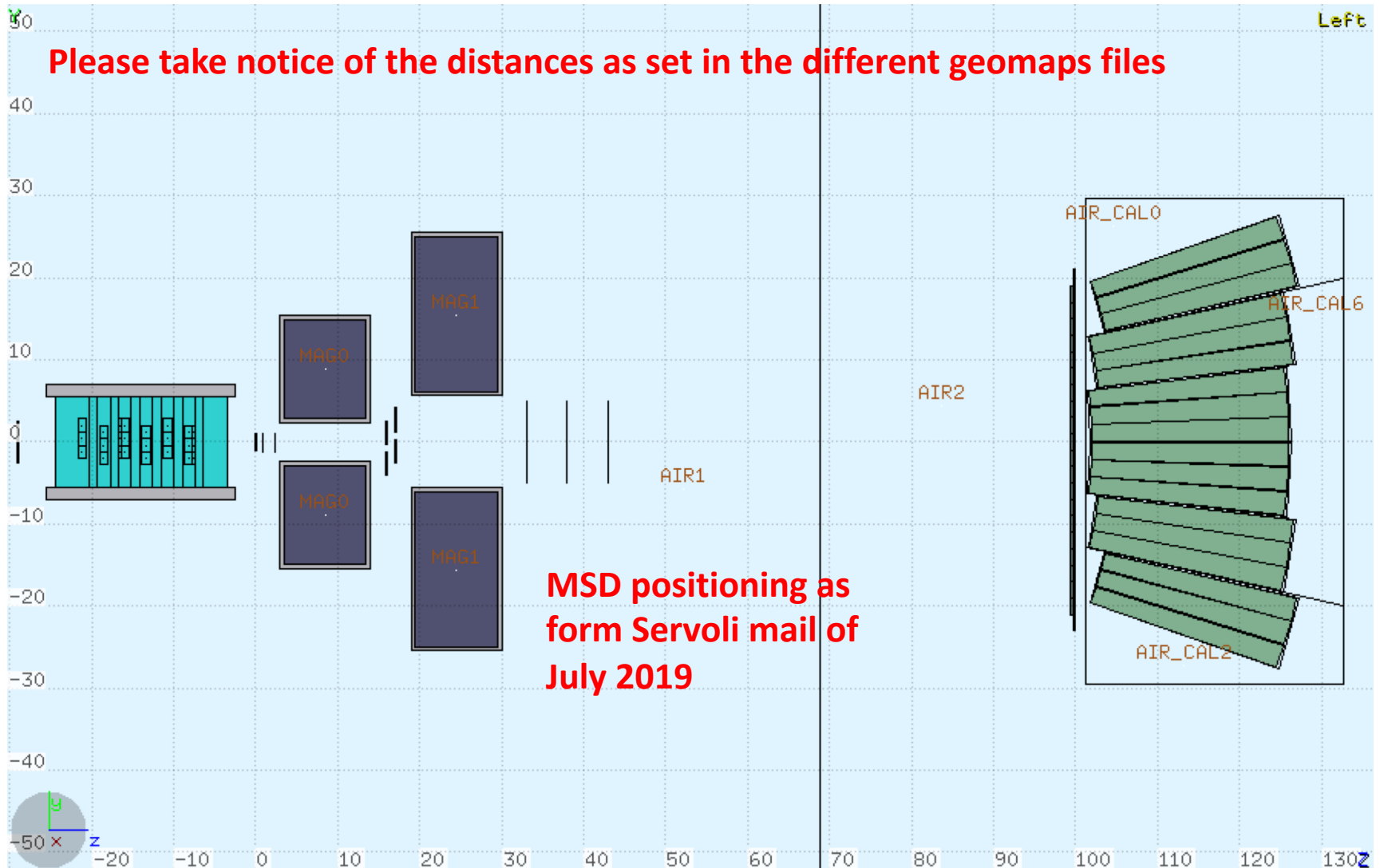


FLUKA geometry within newgeom_V1.0

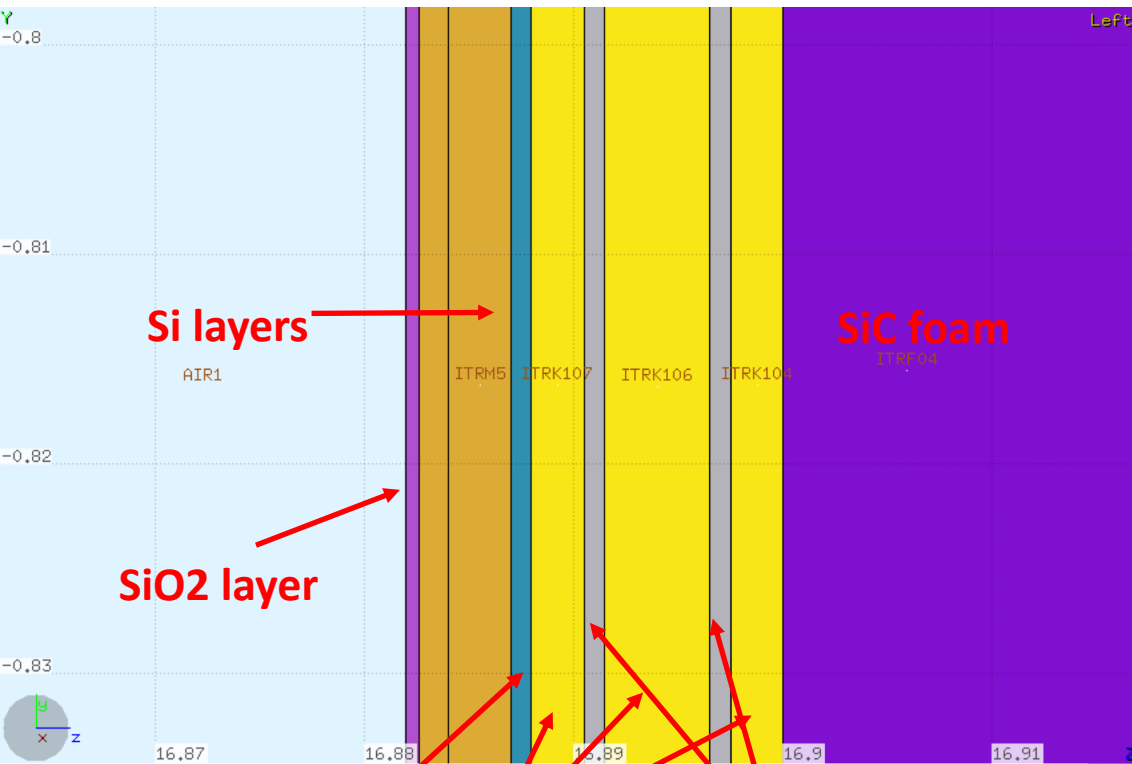
G. Battistoni

With the contributions of C. Finck, L. Scavarda, E. Lopez Torres, S. Valle

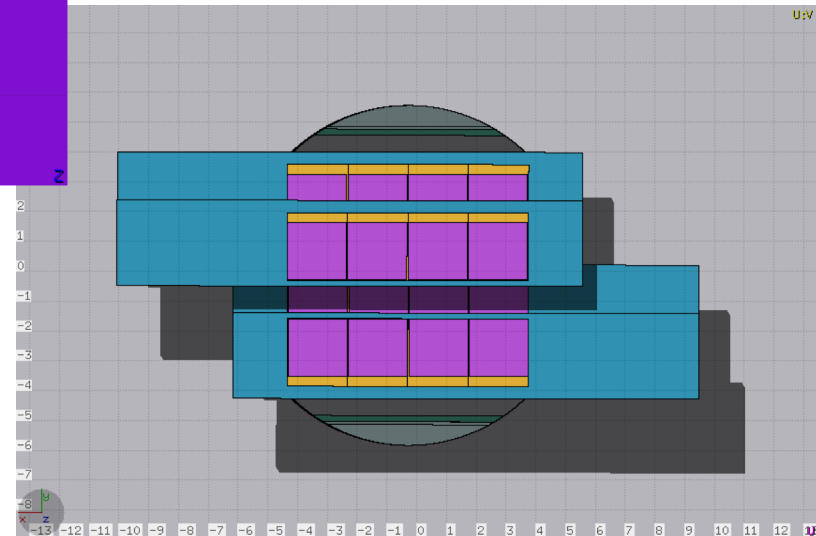
Import of calo branch completed also for FLUKA geometry



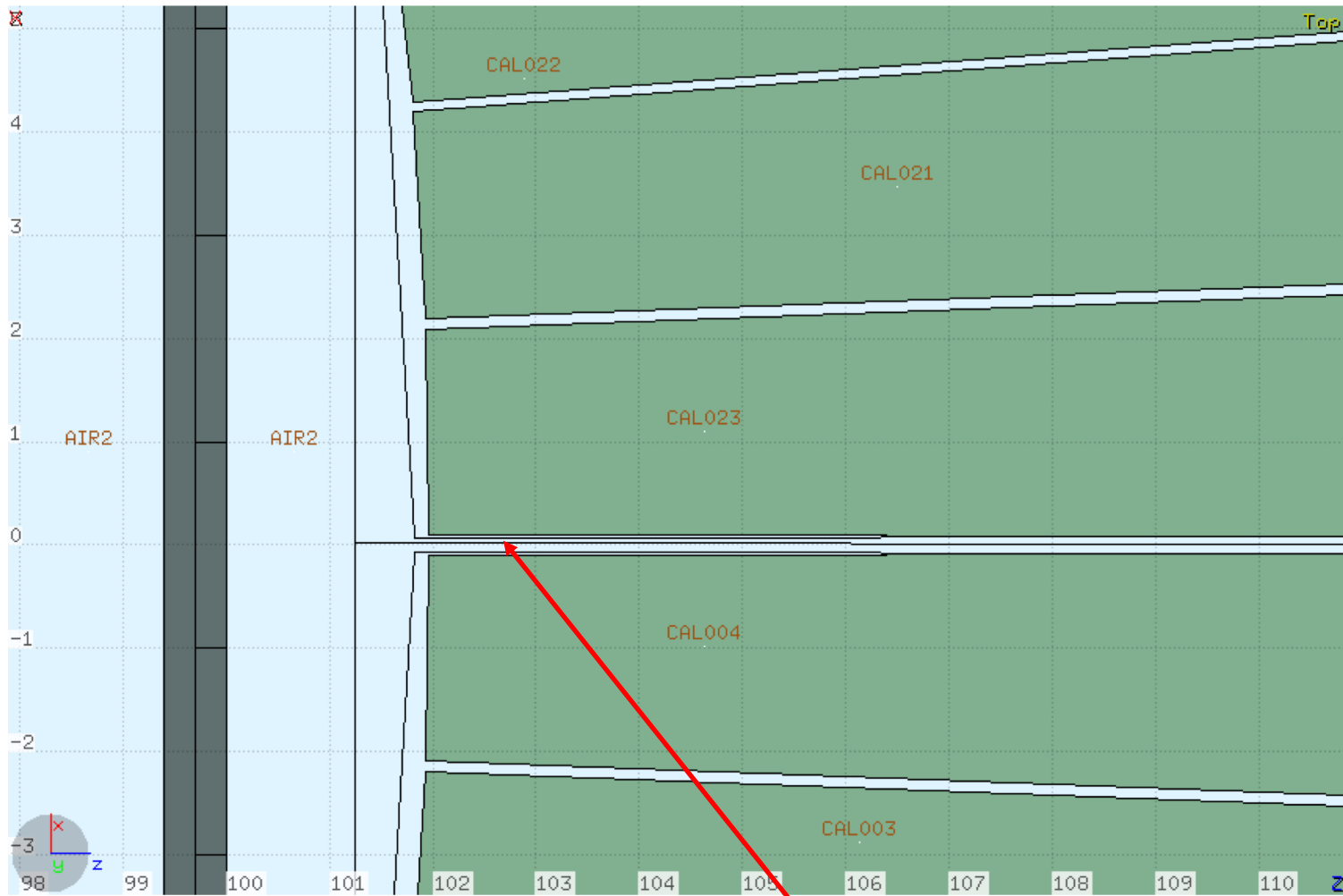
ITR now with support: details



Support was already defined in versions previous to SHOE geometry management



Calo details



Air gaps between towers (crystals)

First production

/gpfs_data/local/foot/Simulation/newgeom_v1.0

**Target 3 mm C with density 1.83 g/cm³ as that of GSI run
10⁷ primaries)**

12C_C_200_1.root (¹²C at 200 MeV/u on C)

16O_C_200_1.root (¹⁶O at 200 MeV/u on C)