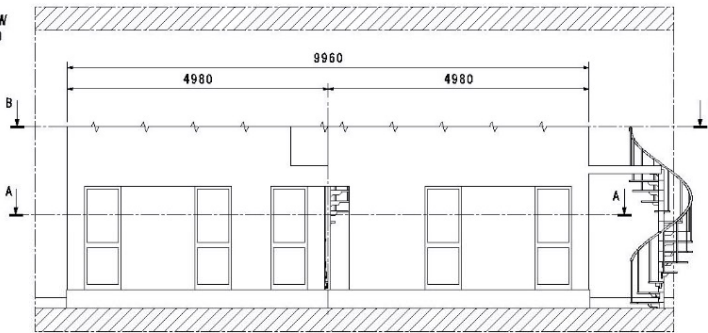
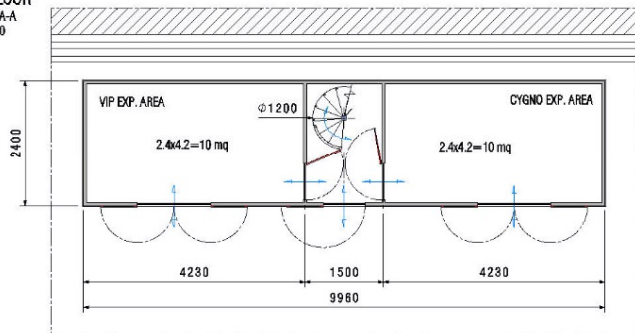


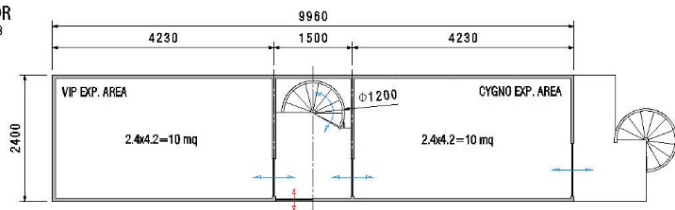
Front view
Scale: 1:50



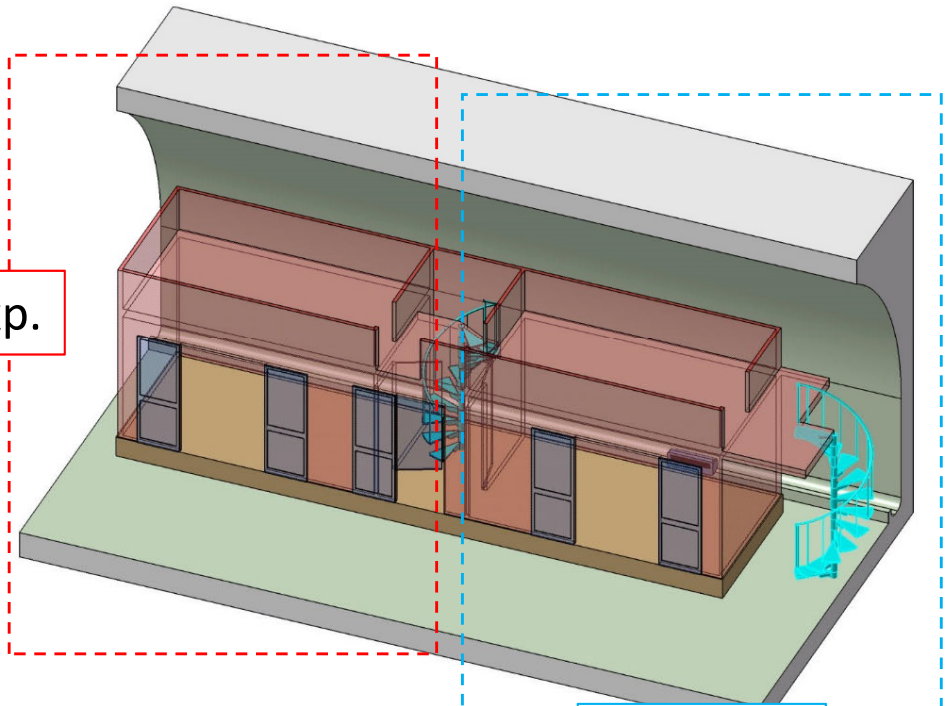
GROUND FLOOR
Section view A-A
Scale: 1:50



UPPER FLOOR
Section view B-B
Scale: 1:50

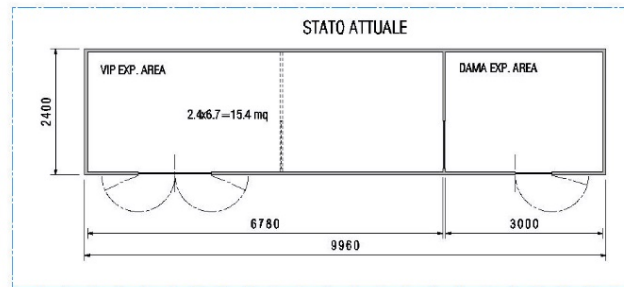


VIP Exp.



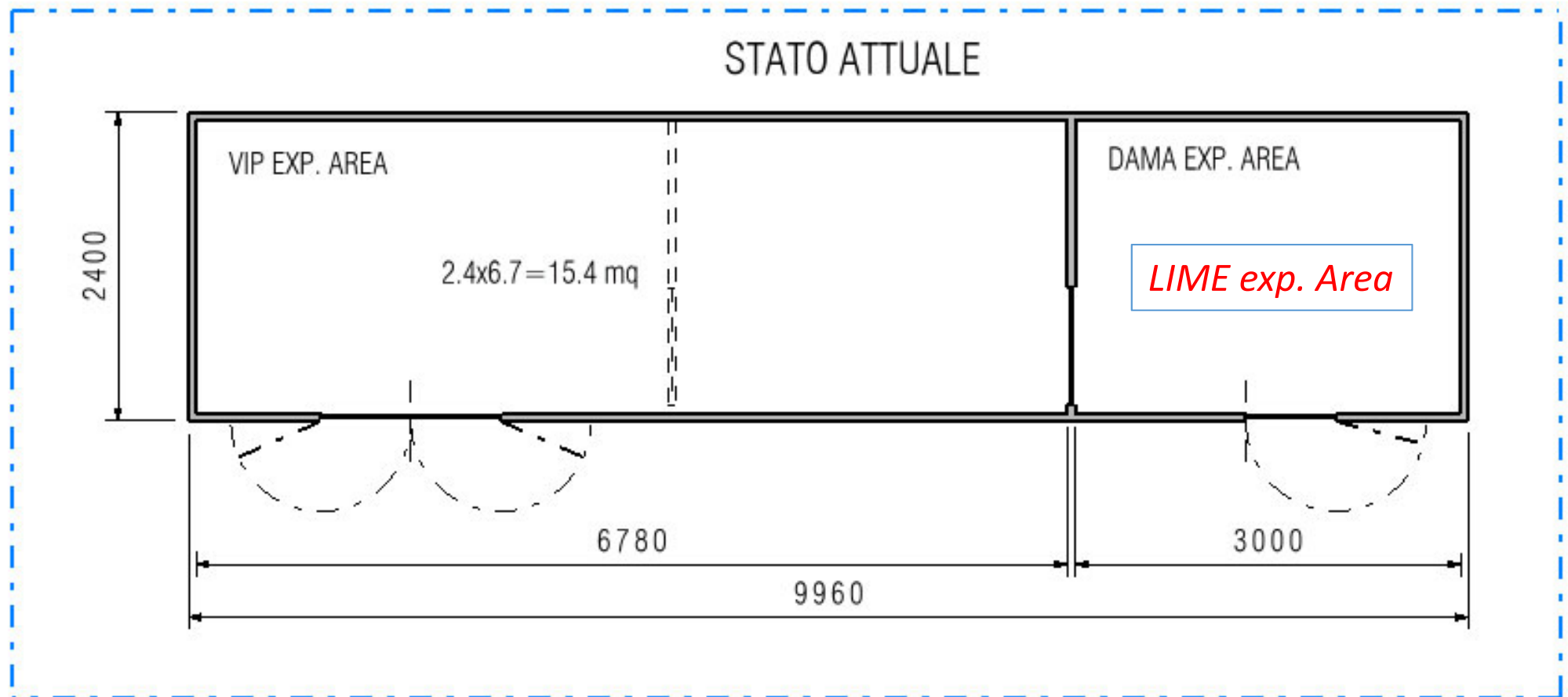
LIME Exp.

STATO ATTUALE

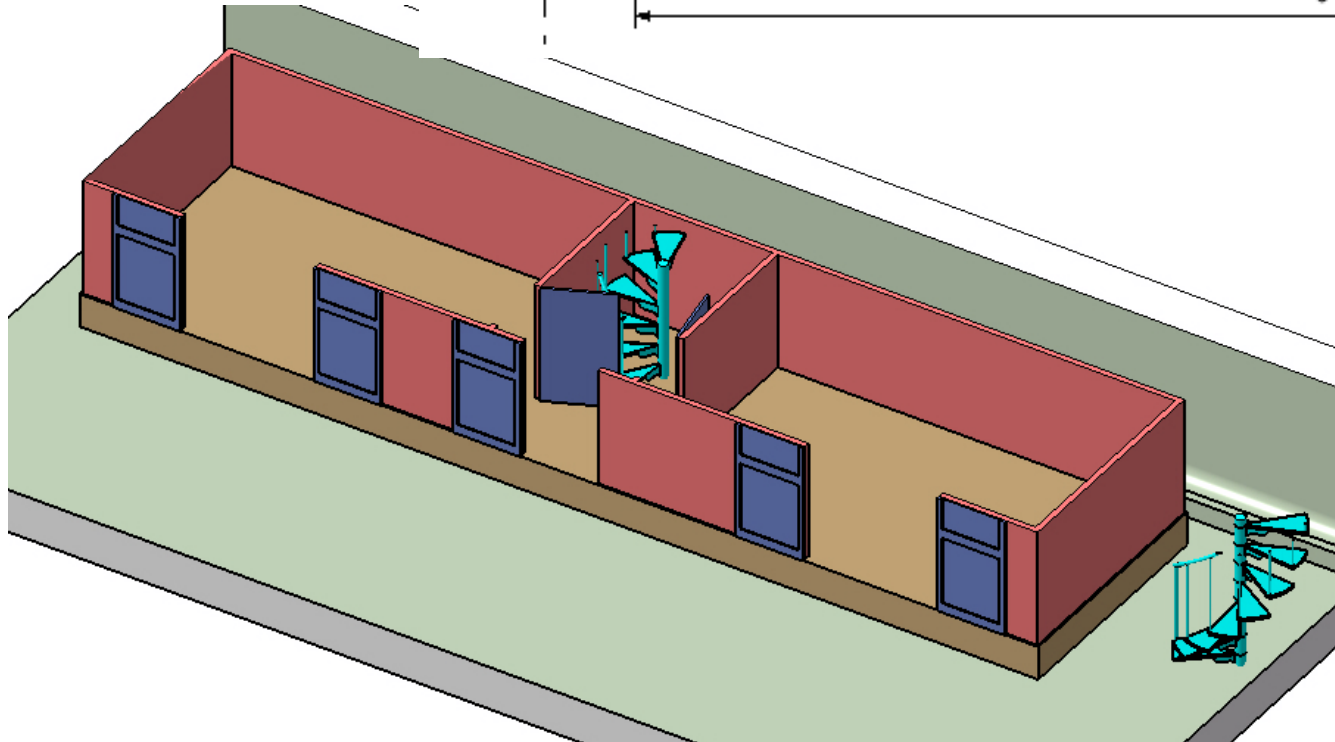
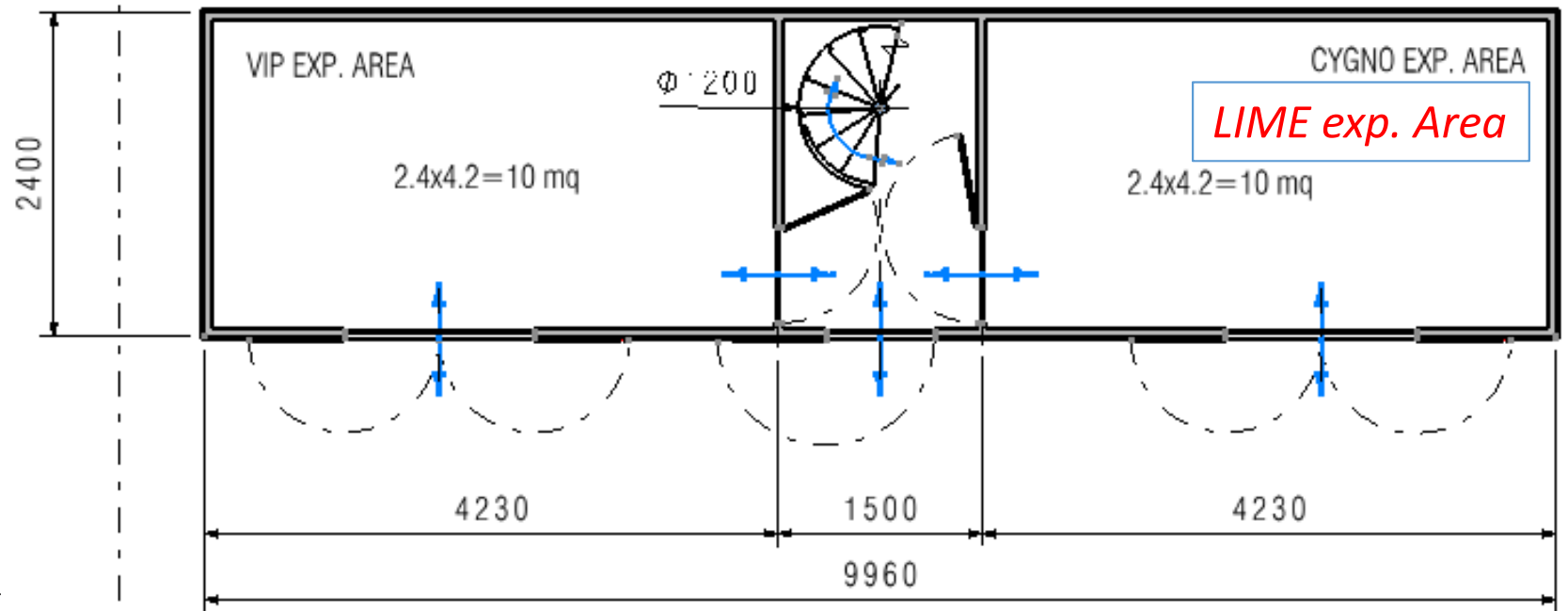


**Ex DAMA + VIP Exp. BUILDING
REFURBISHING STUDY
For VIP + CYGNO Exp.**

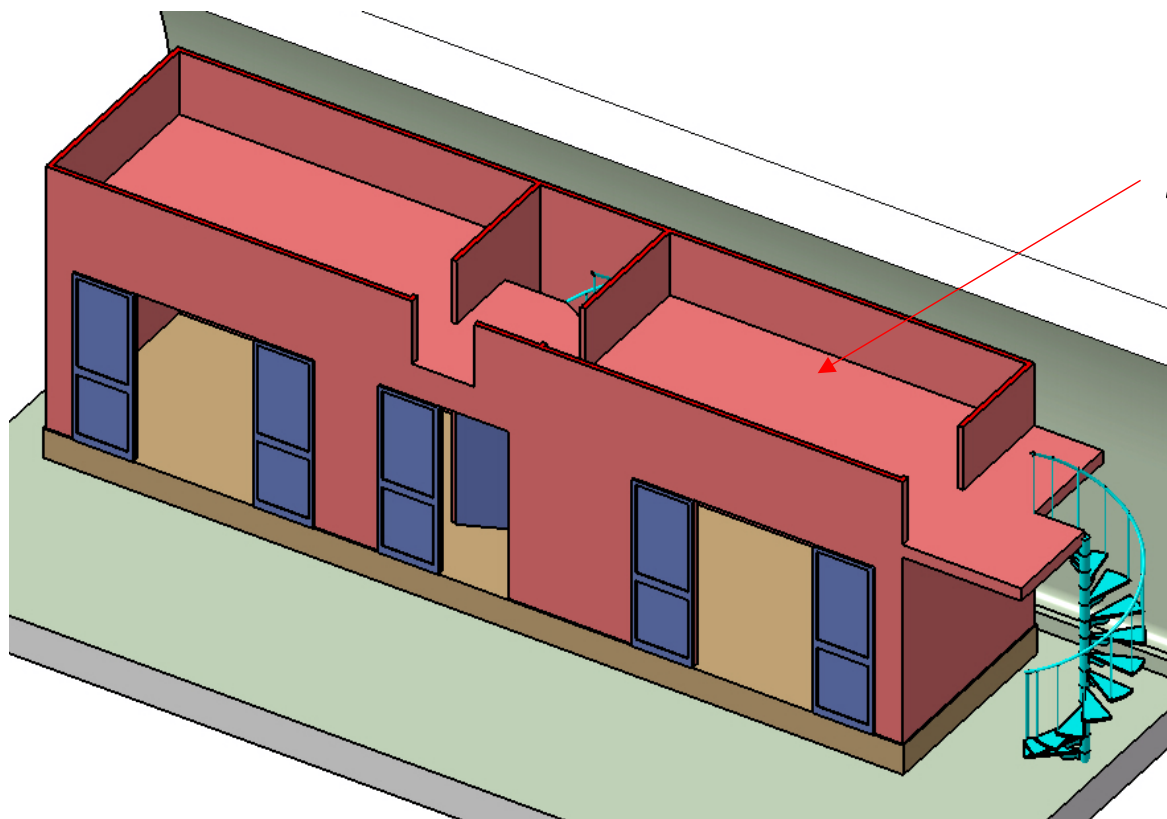
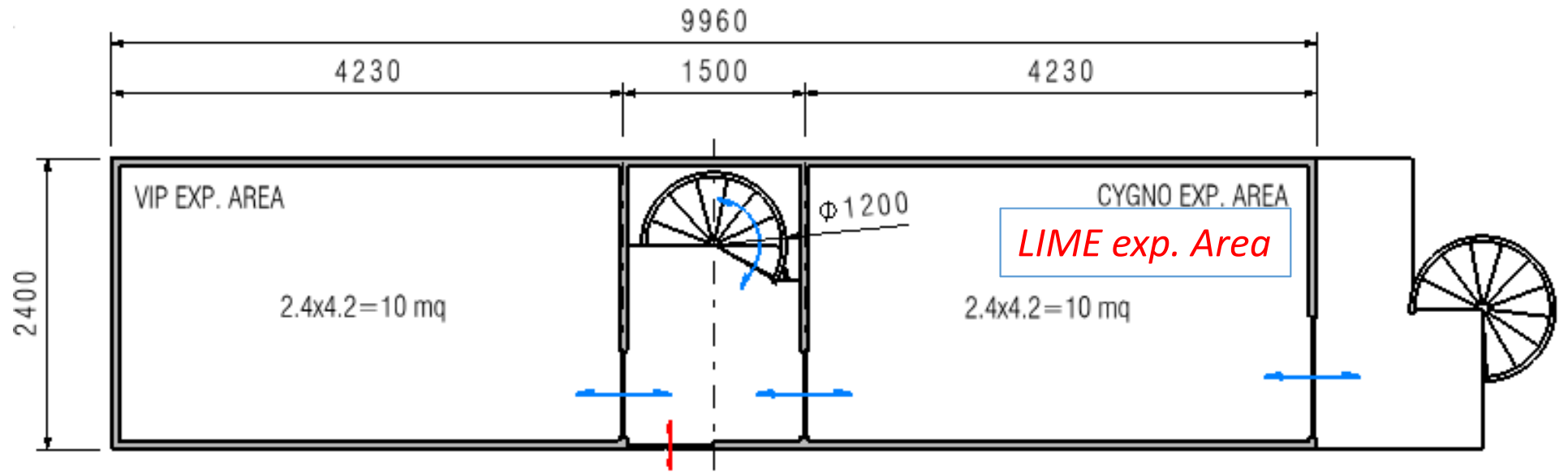
GROUND-FLOOR AS IT IS NOW...



GROUND-FLOOR AS IT COULD BE...



UPPER-FLOOR AS IT COULD BE...

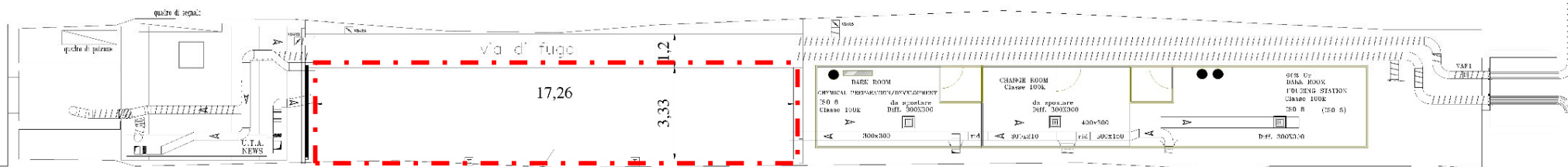


LIME CONTROL ROOM

NEW SPACE AVAILABLE, **PERHAPS...**

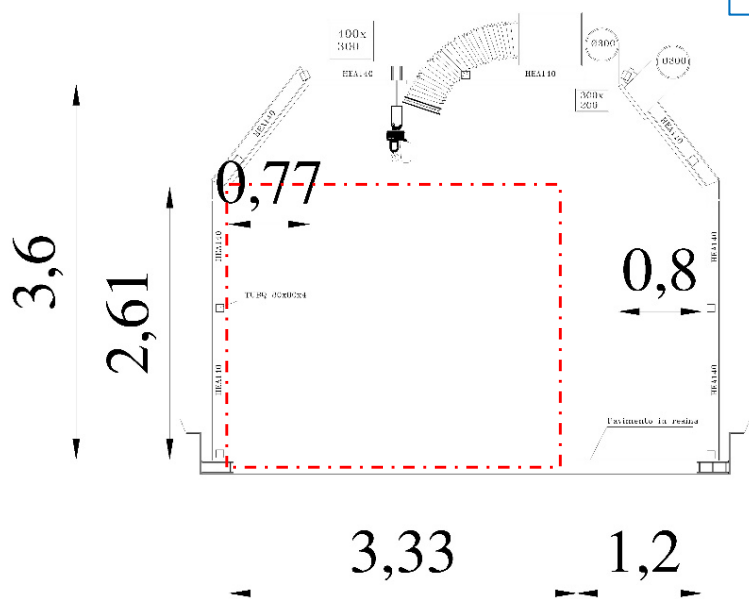
PLANIMETRIA SALA F

SECTION TOP VIEW mt 17x3.3



Possibile area disponibile

SERVICE-TUNNEL CONNECTING HALL "A" & "B"



SECTION VIEW mt 3.3x2.6