

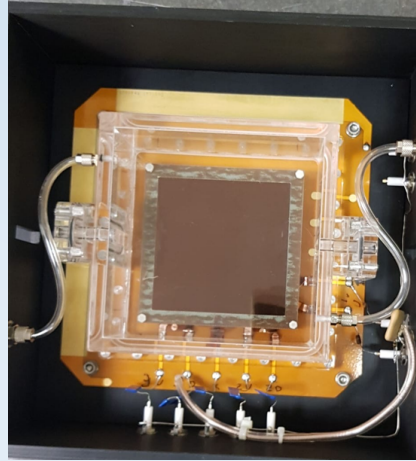
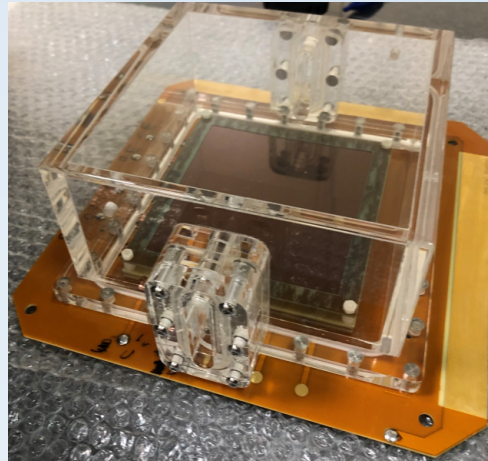
# MANGO



**Istituto Nazionale di Fisica Nucleare**  
**Laboratori Nazionali di Frascati**

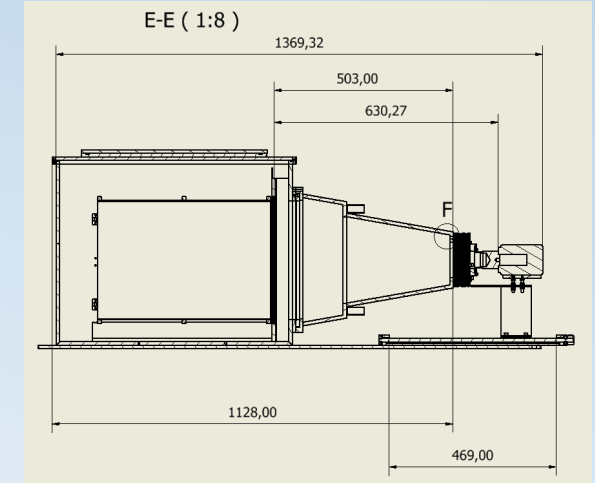
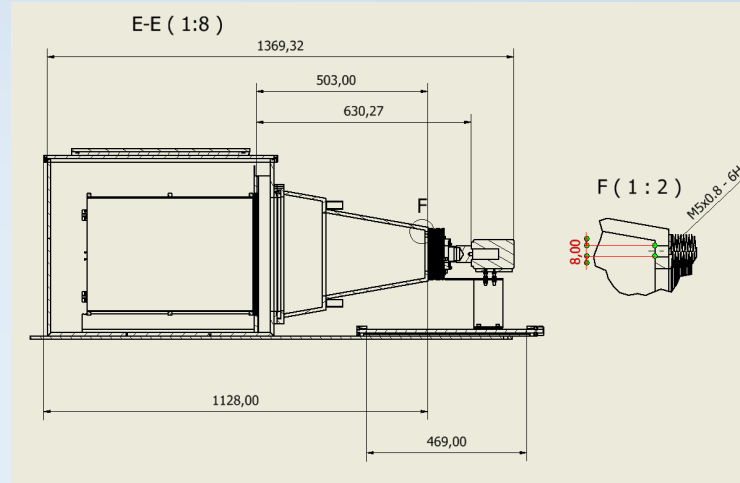
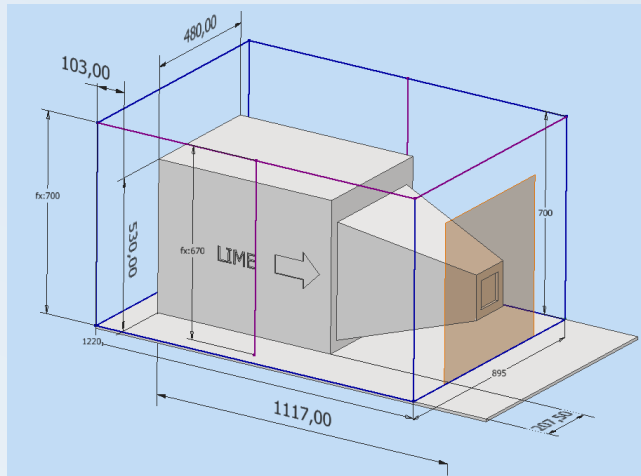
**Research Division**  
*Mechanical Engineering Service*

# MANGO



- Tested leak of ETFE sheet on small prototype
- Gas tight GEM case mounted on frame. Leak tolerable
- Low pressure test: check of minimum distance first GEM-window in progress.

# LIME



- Study of faraday cage made by bent sheet metal and connected by rivets and screw.
- Frame made by commercial profile ( not Bosch). Material: Aluminum
- Aluminum sheet thickness 2 mm . Material arrived in warehouse yesterday.
- Solving problems connected integration of cone- camera bellow. Review of guide and camera support.
- PMT inside the cone – outside where?
- FC not considered