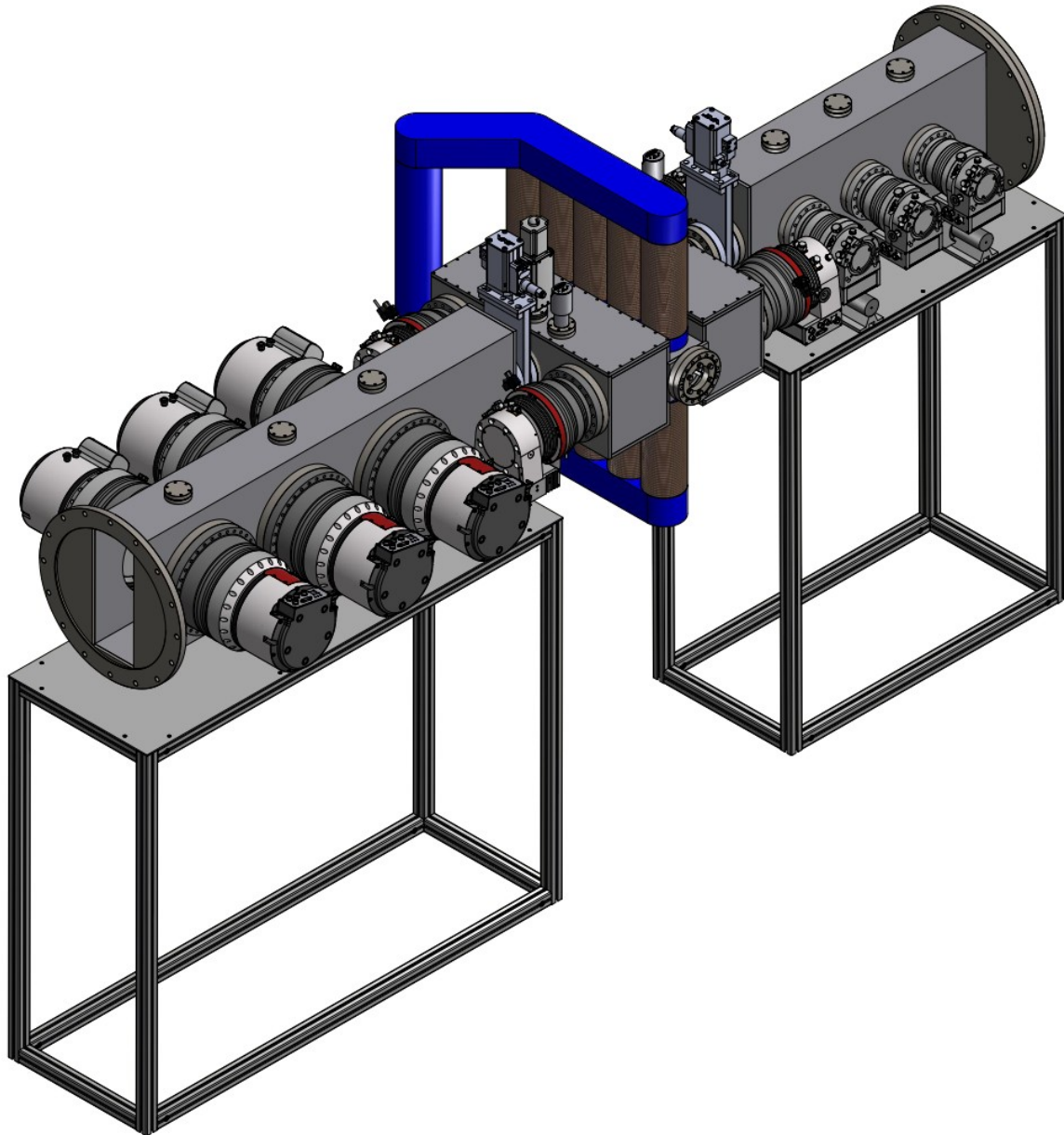




LHCspin kick-off meeting Ferrara, July 2019

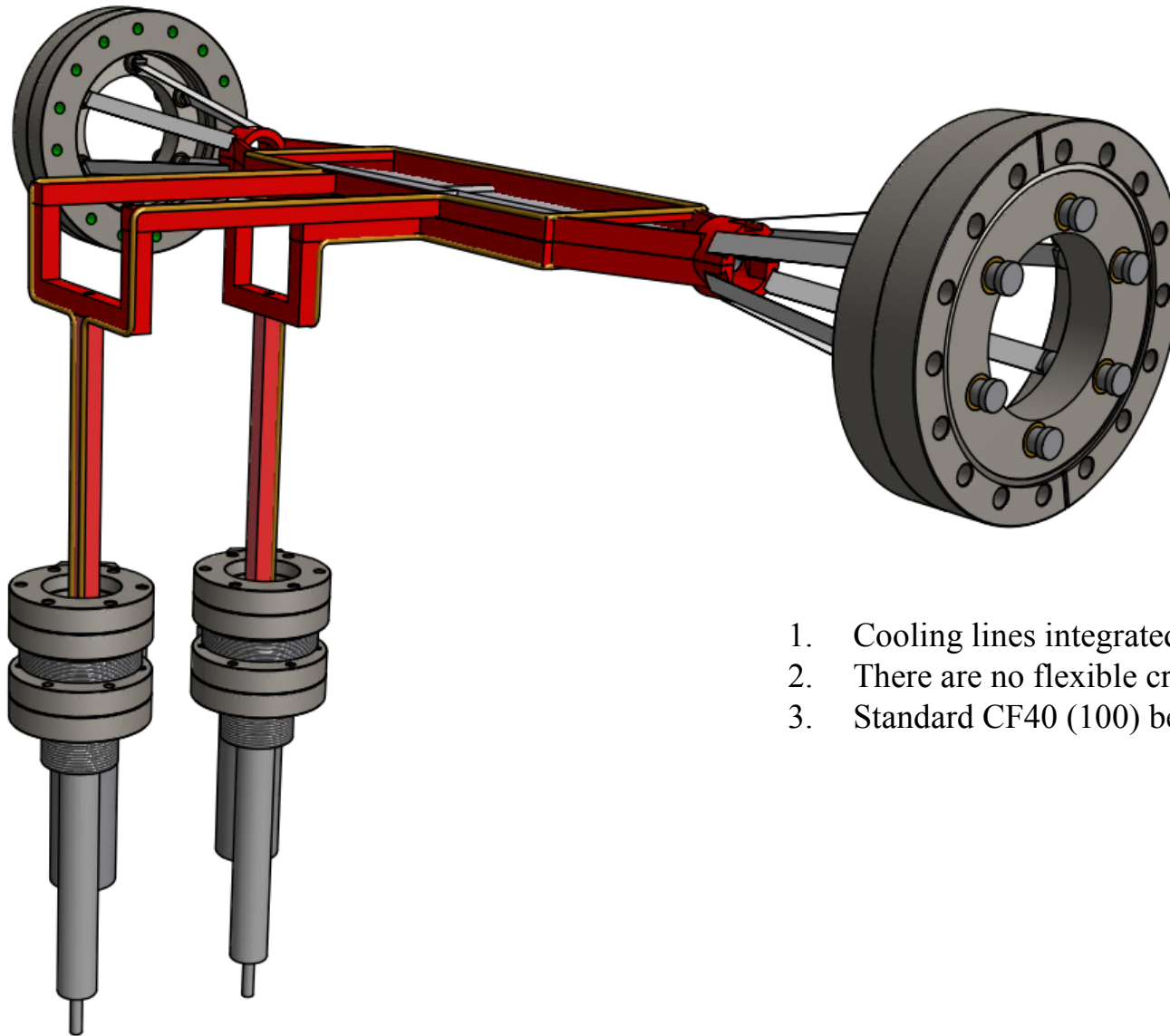
First conceptual drawings for a PGT



1. Horizontal design
2. Openable in vertical direction cell
3. ABS and polarimeter shell are not separated on stages
4. Design include three cell chambers
5. Vertical holding field with separated magnets
6. Movable polarimeter



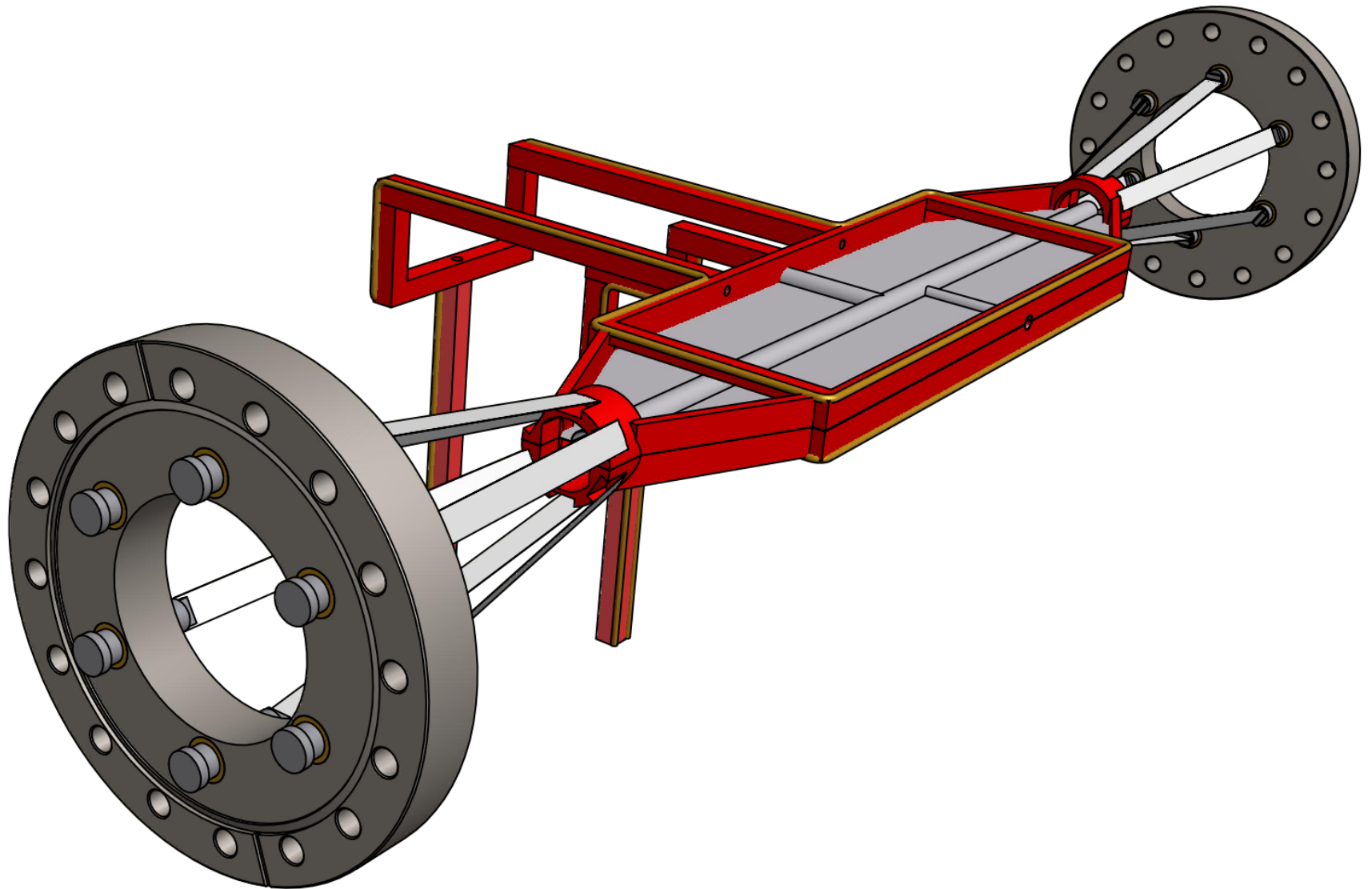
Movement and cooling of the cell



1. Cooling lines integrated into support system
2. There are no flexible cryogenics elements in vacuum
3. Standard CF40 (100) bellow linear movement feedthrough

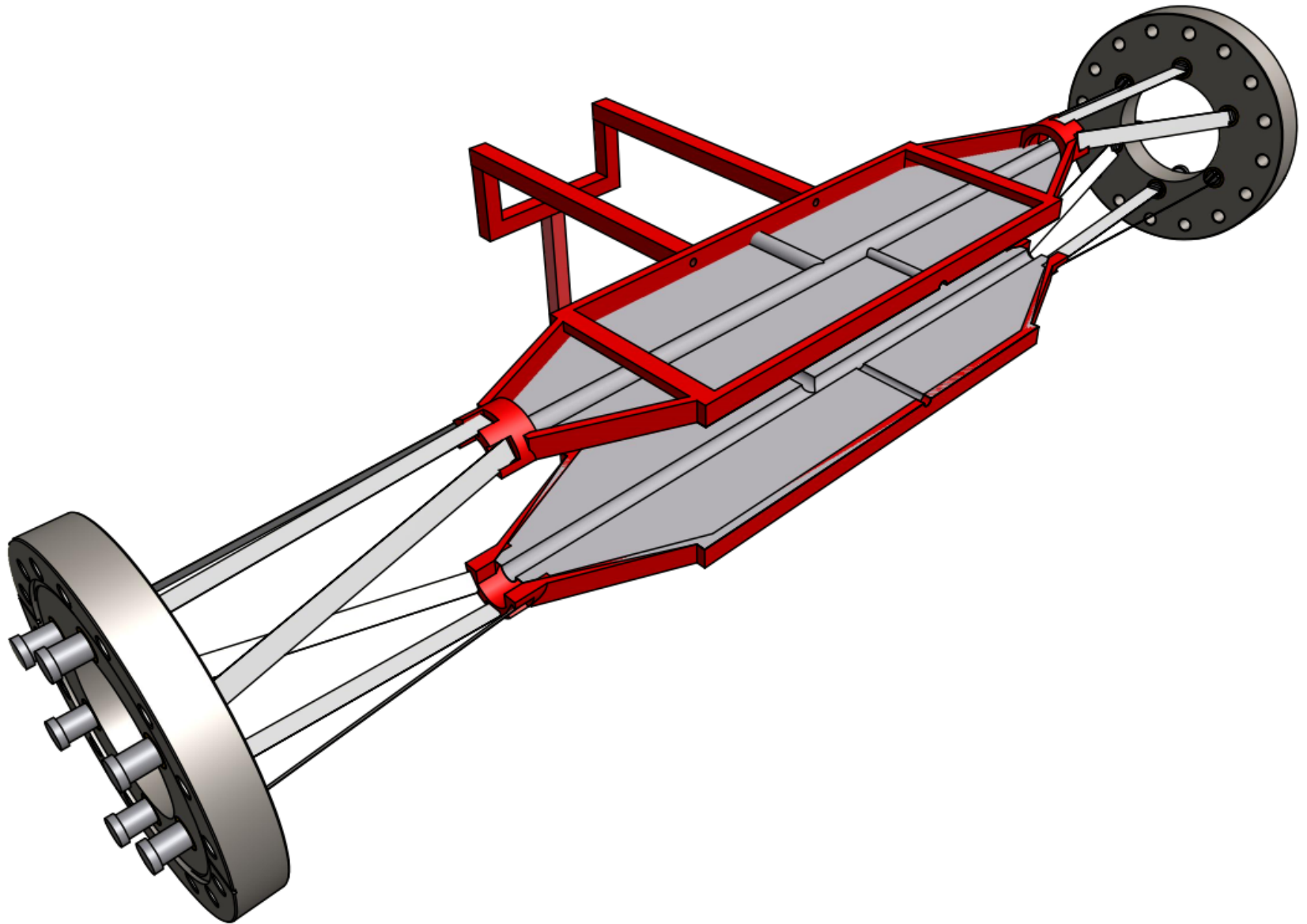


Cell in closed position





Cell in open position





Magnet for holding field

