

FROM RESEARCH TO INDUSTRY



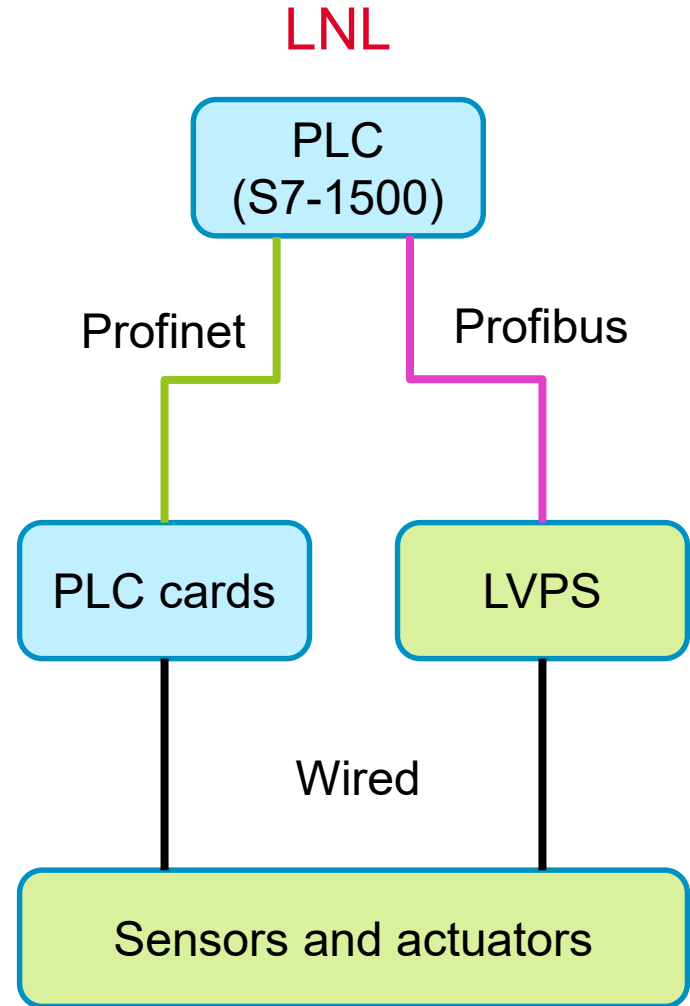
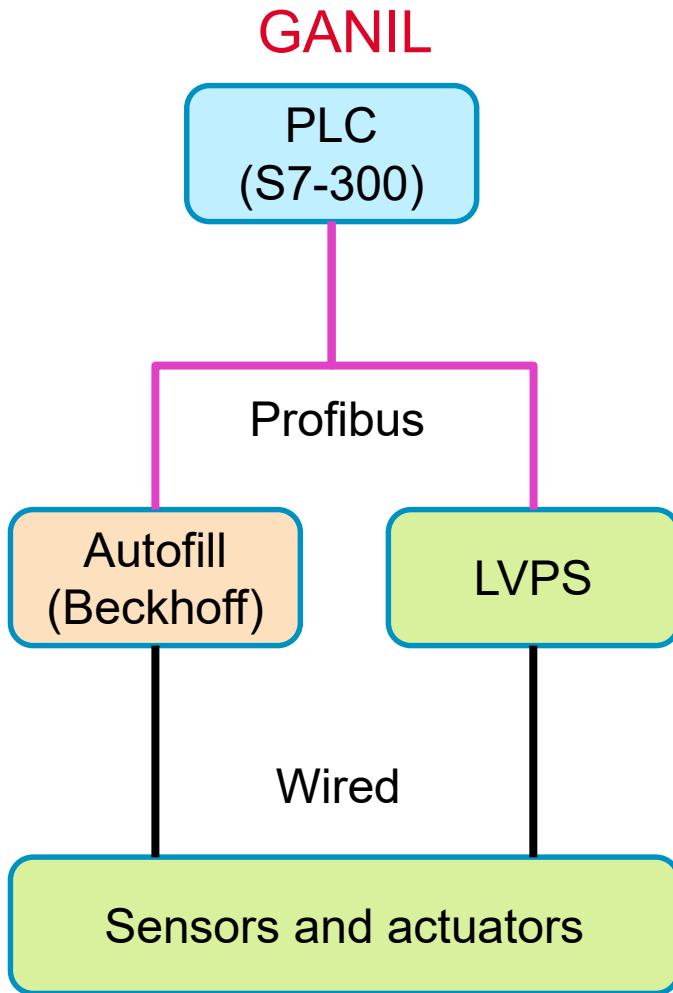
AUTOFILL UPGRADE FOR LNL

20th AGATA Week | Tom Joannem

18TH SEPTEMBER 2019

www.cea.fr

CONTROL SYSTEM EVOLUTION



From Siemens 300 generation to Siemens 1500 generation PLC cards

- End of production of 300 generation cards
- At least 10 years of productions for 1500 generation cards
- More possibilities, diagnostics and security on 1500 generation cards

From Beckhoff autofill to PLC cards

- Homogeneous hardware configurations
- Spare parts optimizations



From Muscade to EPICS

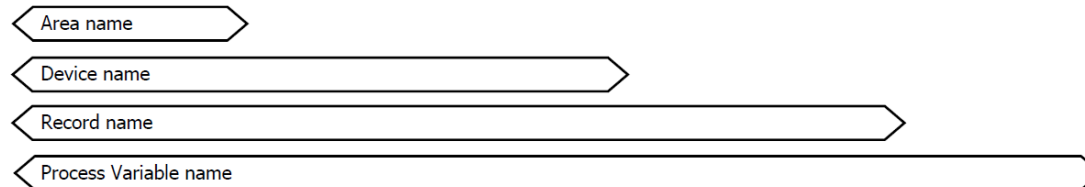
- End of maintenance for Muscade
- EPICS in use on new generation accelerators : ESS and SARAF
- Compliant with accelerators sites
- More EPICS knowledge in community for maintenance



Accelerator naming convention proposal

- Compliant with accelerators site
- Global use feedback from ESS and SARAF
- Example : AGATA-G1:DW01-TT01:Temp
- Can be used for cables naming (Device name)

Sec-Sub : Dis-Dev-Idx : Property . FIELD



Element	Description	Characters
Sec	Section	1 - 6
Sub	Subsection	
Dis	Discipline is the branch of knowledge indicating the context in which a device is used	1 - 6
Dev	Generic Device type. Two devices of the same generic device type provide the same function	
Idx	The instance index is used to distinguish instances of devices of the same type in the same subsection and discipline.	0 - 6
Property	Signal Property, e.g. Current, time or temperature.	1 - 15
FIELD	The field is predefined for the EPICS record type. Example: value (VAL), units (EGU), alarmlimits (HIGH, LOW etc).	

Points to solve to start plc coding:

- Cryogenic strategy for detectors filling ?
- Sensors and actuators evolution from GANIL to LNL (main pipeline) ?
- Naming convention ?

Thank you for your attention

Commissariat à l'énergie atomique et aux énergies alternatives
Centre de Saclay | 91191 Gif-sur-Yvette Cedex
T. +33 (0)1 XX XX XX XX | F. +33 (0)1 XX XX XX XX

Direction
Département
Service

Etablissement public à caractère industriel et commercial | RCS Paris B 775 685 019