

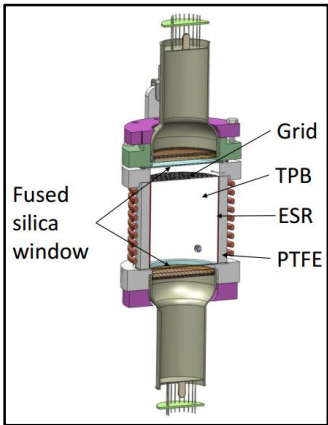
The liquid argon detector and measurement of SiPM array



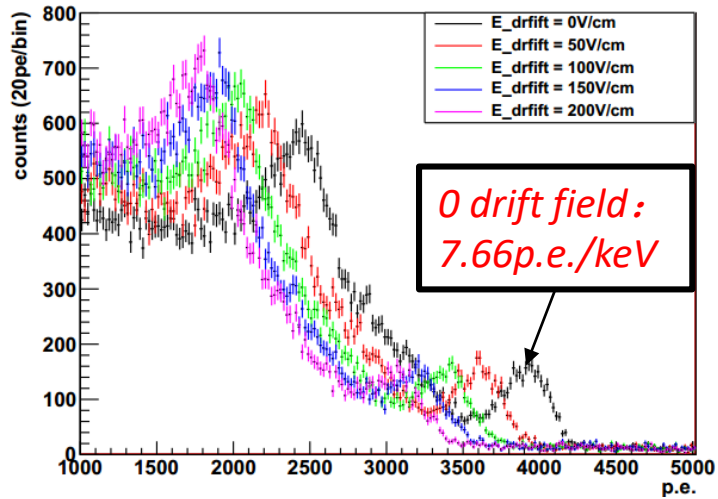
Cong Guo, Mengyun Guan, Xilei Sun from IHEP

➤ Liquid argon is a very good detector target candidate for dark matter searching and neutrino experiment:

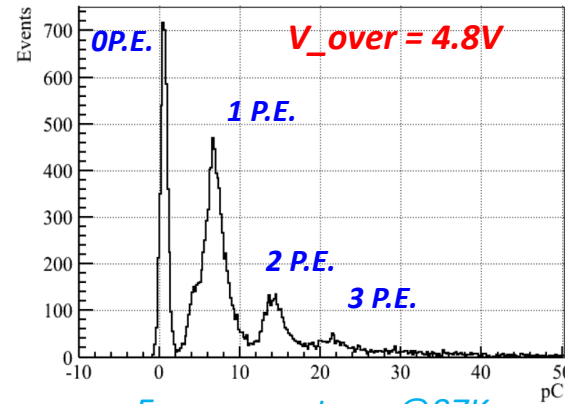
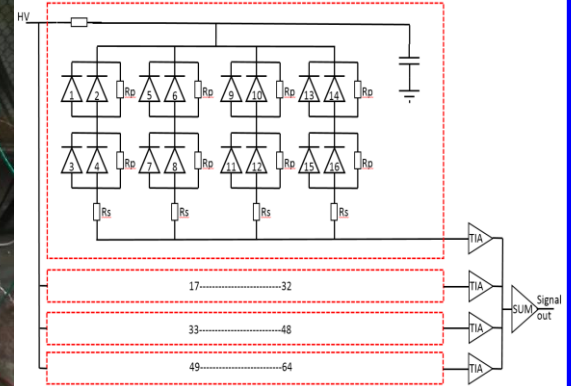
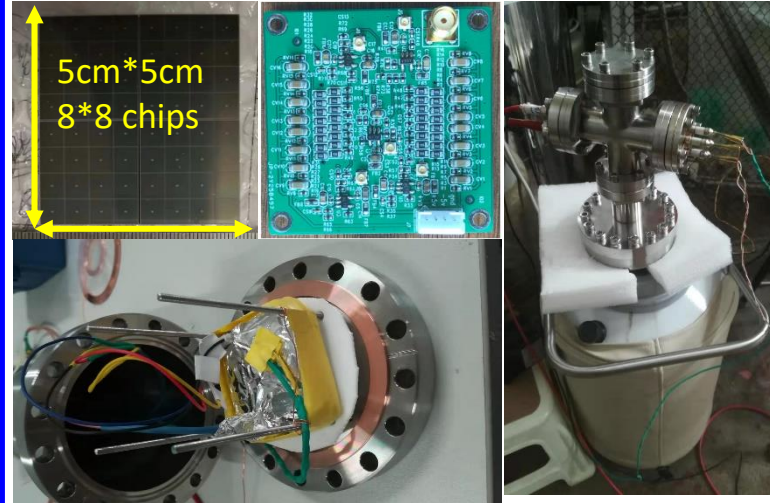
- ✓ Large light yield: 40 photons/keV;
- ✓ Very good n/γ discrimination ability;
- ✓ Dual phase LAr detector could achieve 0.5keVnr threshold;
- ✓



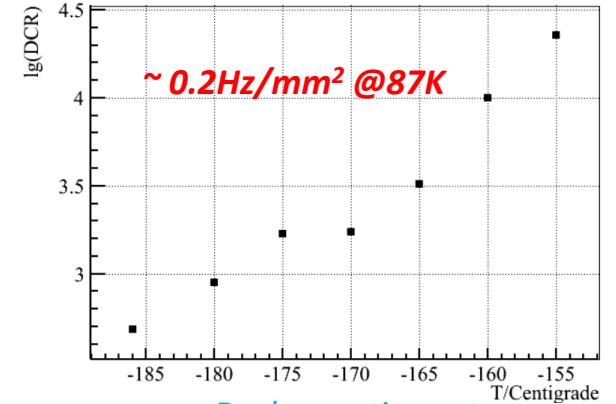
The LAr TPC



The ^{22}Na spectrum



Energy spectrum @87K



Dark counting rate