

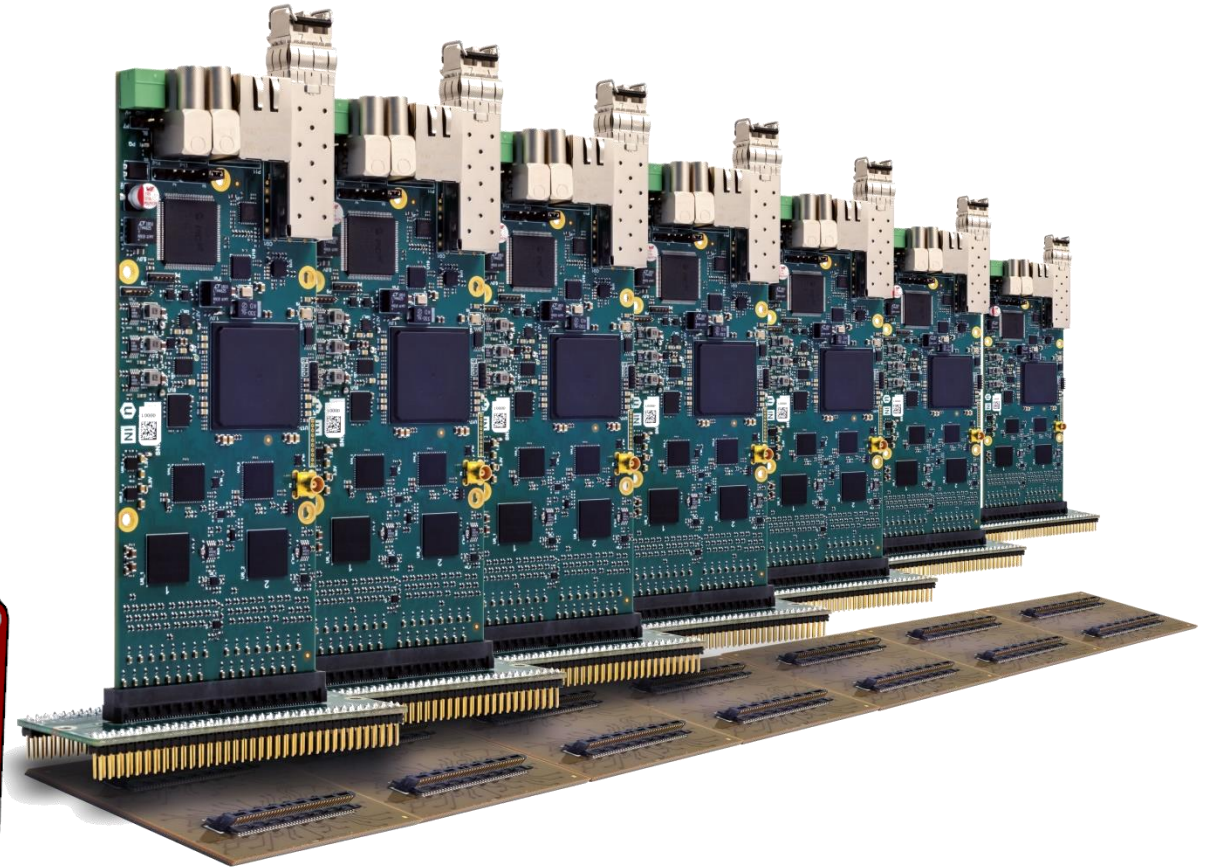
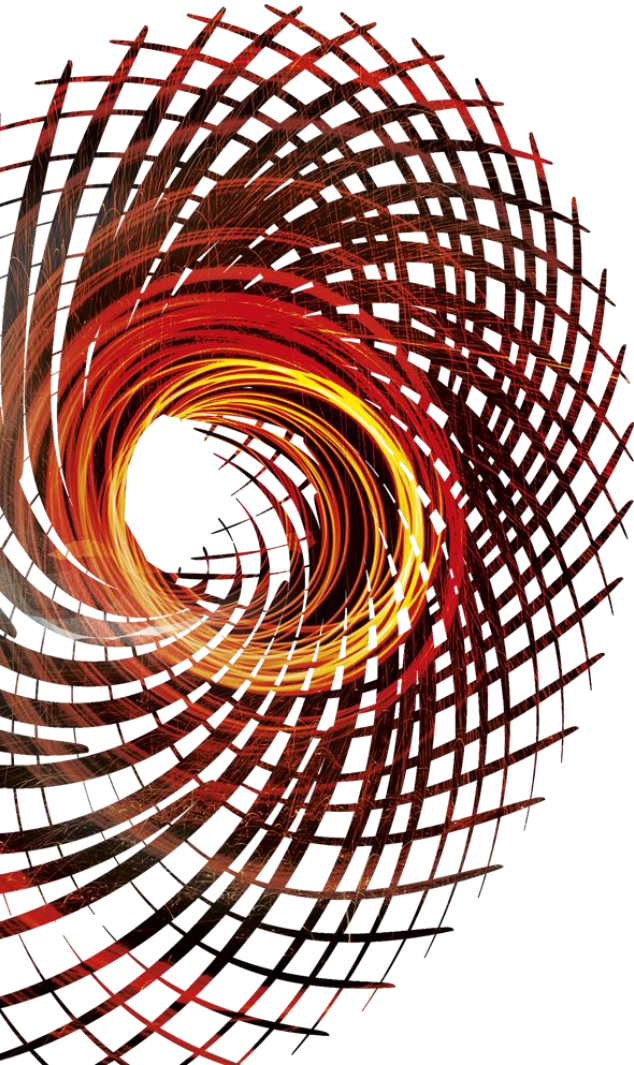


**CAEN**  
*Tools for Discovery*



**NI** Nuclear  
Instruments

# Electronic Instrumentation



## **FERS: a distributed Front End Readout System for multi-detector arrays**

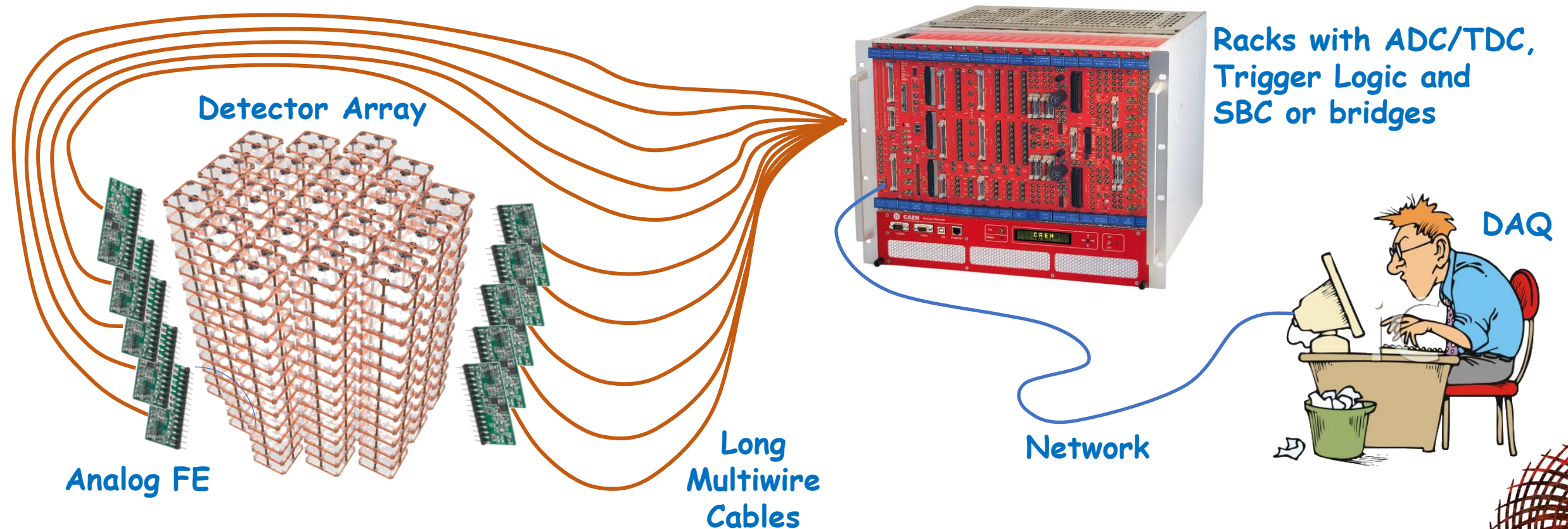
**Carlo Tintori**

*SiPM workshop: from fundamental research to industrial applications – Bari, 2-4 Oct. 2019*



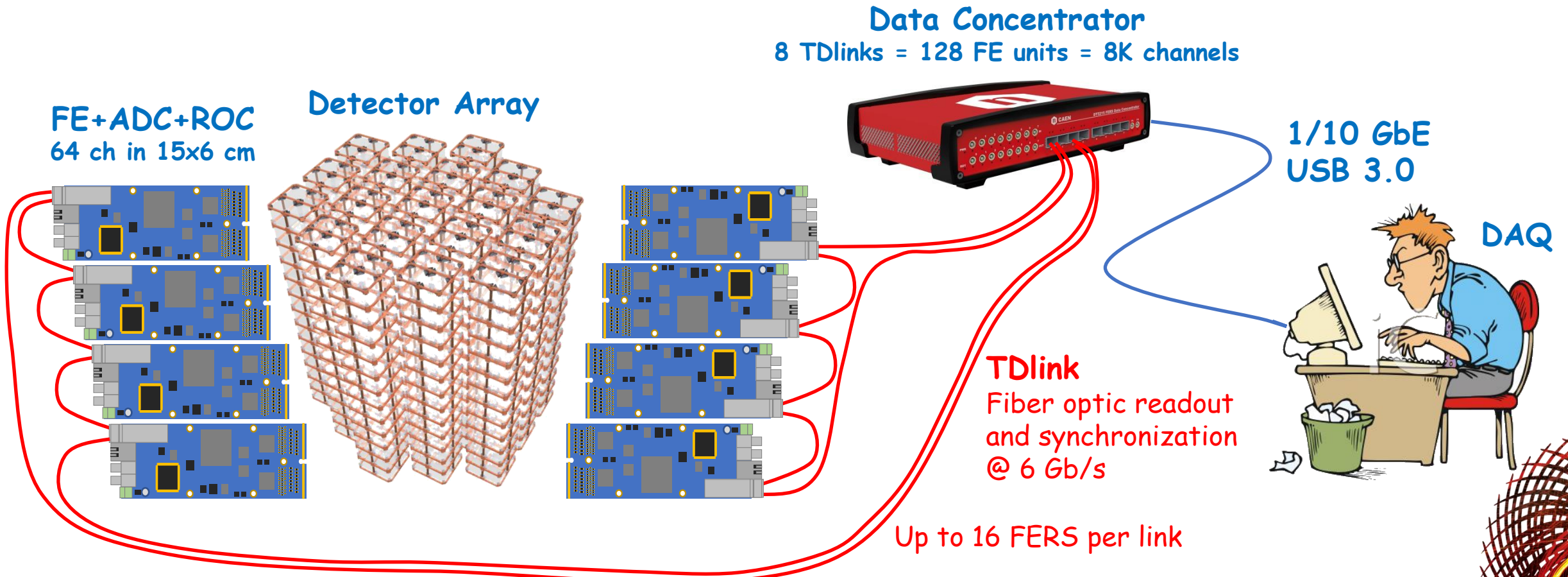
# Traditional Readout System

- Front End Preamplifiers close to the detectors
- Long cables bring analog signals to readout electronics (ADC, TDC, etc.)
- A/D conversion, online data processing and communication concentrated in racks



# Distributed Front End Readout System

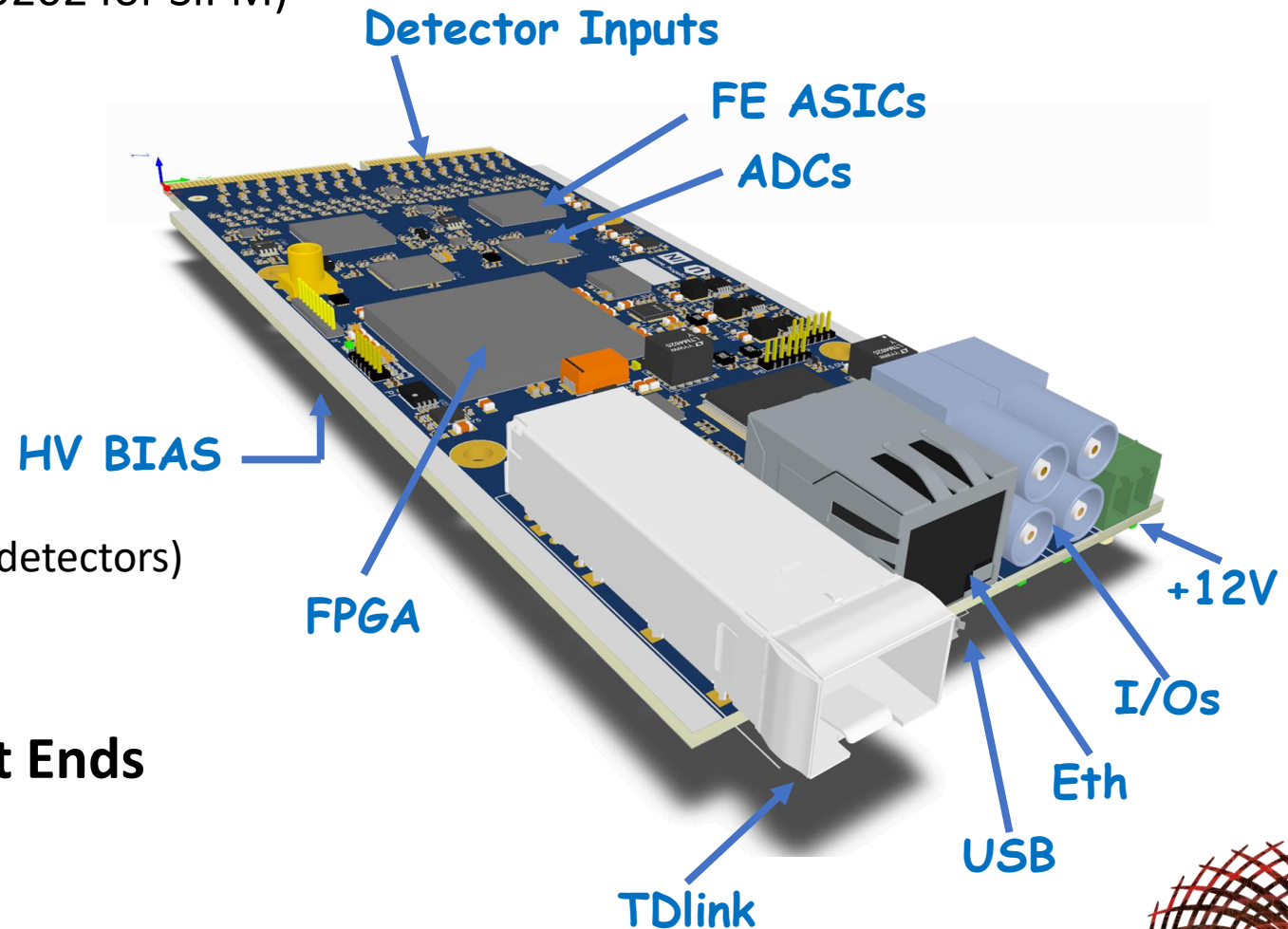
- Front End Preamplifiers, A/D conversion and data processing/readout in small **FE card** (typ. 64 ch)
- **TDlink**: single optical ring connection for synchronization, readout and slow control
- Data Concentrator: provides global synch, trigger logic, event data building and storage
- Easy scalability to thousands channels: up to 8192 channels per Data Concentrator
- Less cable cost, noise pickup, signal attenuation. Fast deployment



- **A52xx**: single card housing Front End ASICs, ADC and/or TDC, FPGA, I/Os and Interfaces
- Detector Bias included in some models (e.g. A5202 for SiPM)
- A new line of FE and readout electronics for:

- SiPM
- PMTs and MA-PMTs
- Gas Detector, wire chambers
- GEM
- Micromegas
- Silicon Strip Detectors
- Neutron Detectors (Position Sense Tubes, He3 detectors)
- Segmented HPGe detectors

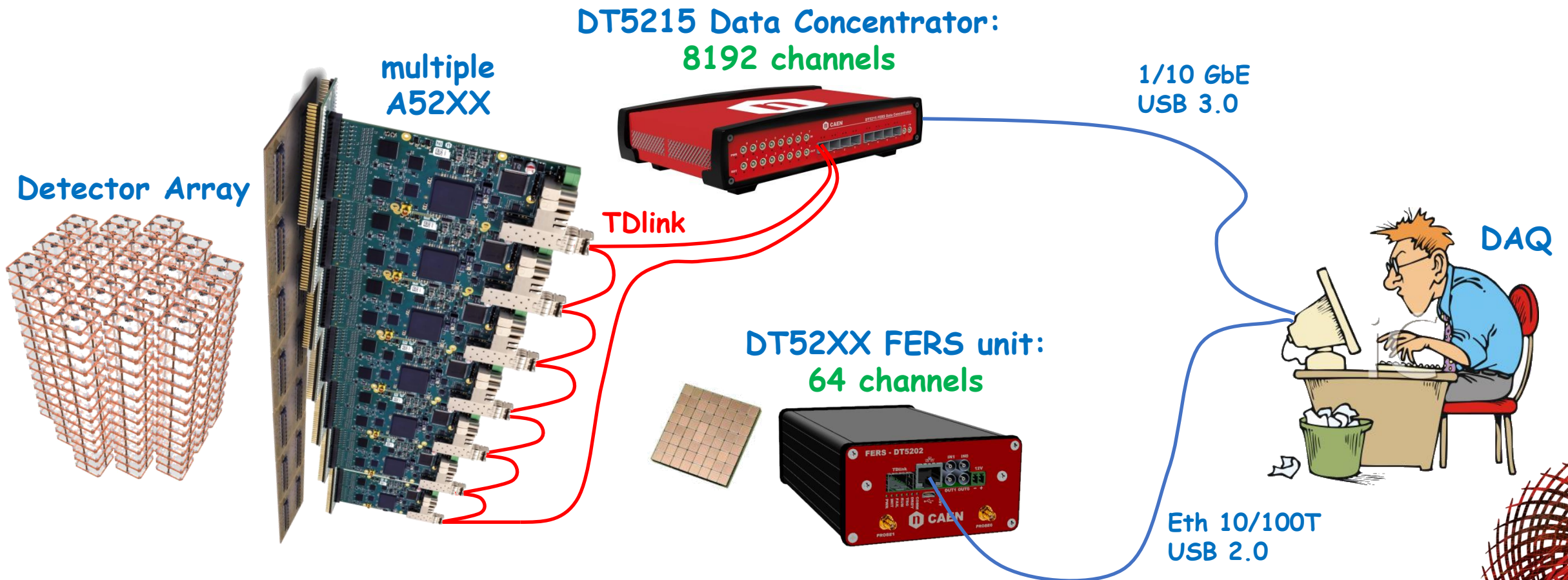
- **Same Infrastructure for different Front Ends**



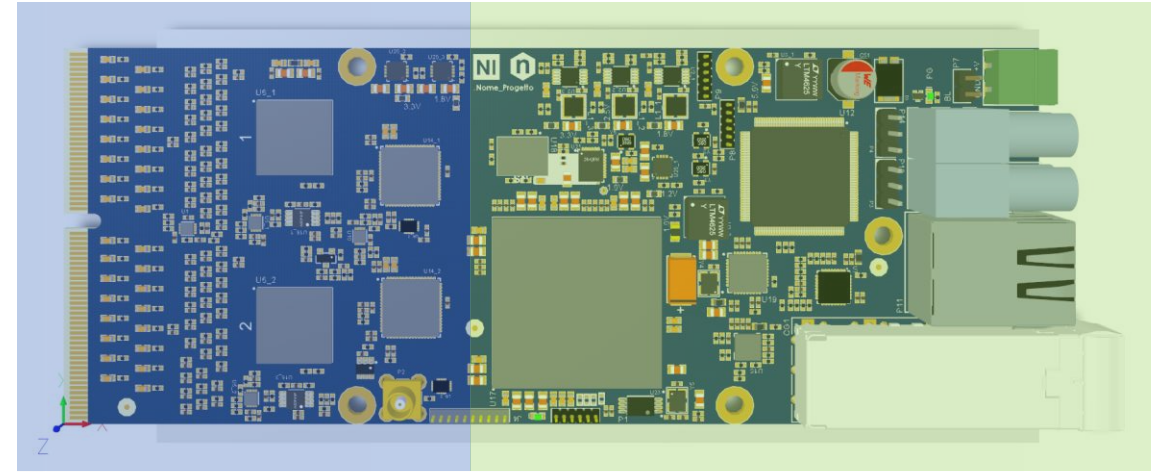


# From evaluation to large experiments

- One FERS unit can be used stand-alone in a desktop form factor
- Direct connection to PC (USB or Ethernet). No additional hardware required!
- Same user interface (SW, libraries, etc.), same hardware and performances
- Naked FERS units can be easily arranged in backplanes/mechanics to build large systems



- **Citiroc:** SiPM Spectroscopy (Weeroc)
- **Petiroc:** SiPM timing (Weeroc)
- **Maroc:** MA-PMT (Weeroc)
- **Skiroc:** Silicon Detector (Weeroc)
- **Gemroc:** Gem Detector (Weeroc)
- **VMM3:** Micromegas, Gem (BNL)
- **Sampic:** 10 GS/s SCA waveform digitizer and ps TDC (LaL)
- **AARDVARC / ASOC:** 13 GS/s and 3.2 GS/s SCA waveform digitizer and ps TDC (Nalu Scientific)
- **picoTDC:** 3/5 ps TDC (CERN)
- **Hybrid Solutions:** FE in separate box, plug-in FERS with flash ADCs (e.g. 16 channel, 100 MS/s, 14 bit)
  - **A1442:** 16/32 channel preamp for Silicon Strip Detectors
  - **PADIFF:** 32 channel preamp for Neutron Detector
  - **Detached ASIC** boards for **cryogenic** applications



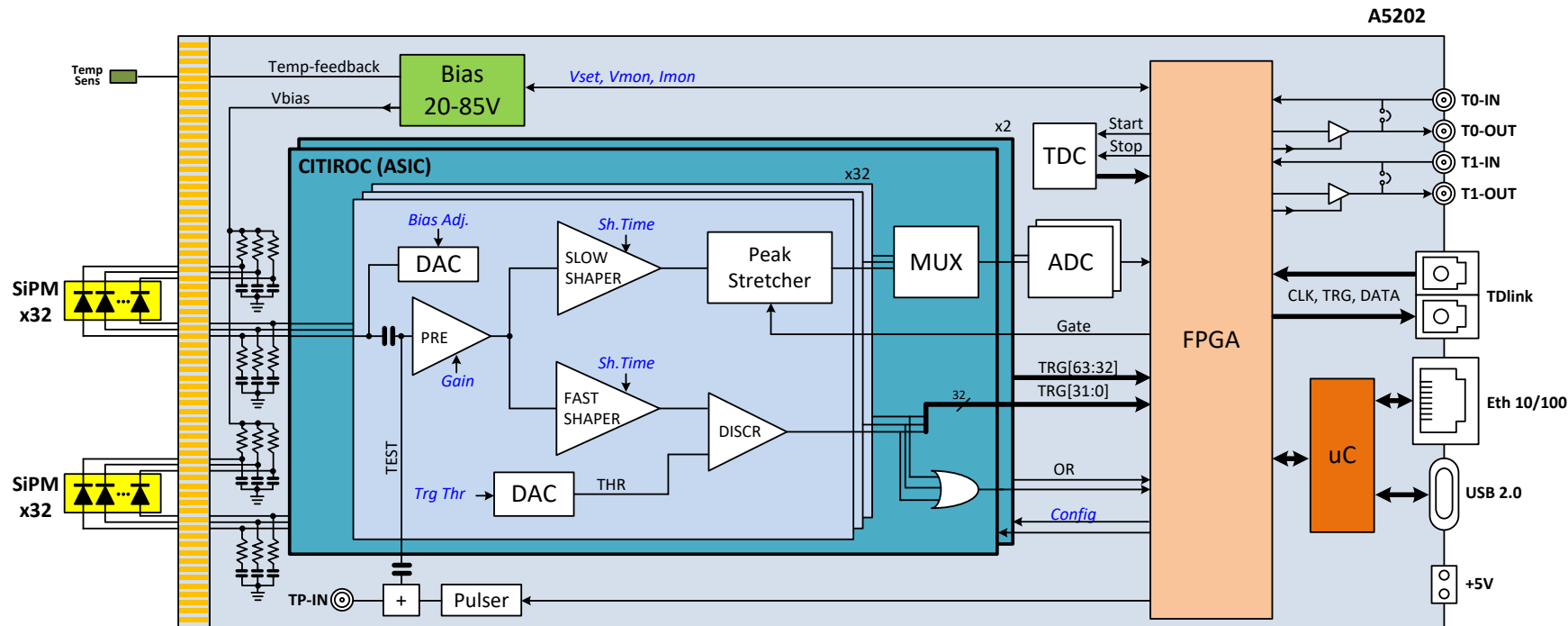
DETECTOR SPECIFIC

COMMON INFRASTRUCTURE



# A5202: 64 channel SiPM readout (Citiroc 1A)

- Based on two ASICs Citiroc 1A (Weeroc): 64 channel SiPM readout
- Embedded HV bias (20-85V) with temperature feedback. Individual HV adjust per channel
- Programmable gain and shaping time for High Res PHA (Multiplexed A/D, max Trg Rate = 100 Kcps)
- Individual discriminator thresholds: down to 1/3 p.e.
- Discriminator outputs for high rate counting (20 Mcps), Time stamping (0.5 ns) and ToT (low res PHA)
- 50 ps TDC for high resolution time stamping of OR trigger (to an external time reference signal)
- Acquisition modes: photon counting, spectroscopy mode (PHA), list mode (channel ID + Tstamp + ToT)



- **Spectroscopy Mode (PHA):**
  - A/D conversion of the pulse height (preamp + shaper + peak hold + mux + 14 bit ADC)
  - Common trigger (int. or ext.)
  - Zero suppression with programmable thresholds (read fired channels only)
  - Max trigger rate = 100 KHz (dead time =  $\sim 10 \mu\text{s}$  per trigger)
- **Counting Mode** (e.g. photon counting in SiPMs):
  - Counters fed by fast discriminator signals
  - Simultaneous latched at programmable time frames and saved to memory (MCS mode)
  - No dead time in counting, up to  $\sim 20 \text{ Mcps/ch}$
- **Timing Mode** (List of Tstamps and/or Time over Threshold):
  - Independent hit recording: channel ID + timing (0.5 ns resolution)
  - Common start or common stop (T-ref signal from LEMO input)
  - Gating mode (coincidence with external gate)
  - Optionally, **ToT** (0.5 ns) provided for low resolution PHA: Charge Resolution = 1.5%
  - Max total hit rate =  $\sim 50 \text{ Mcps/board}$
- **Waveform Mode:**
  - Signal inspection: mux output waveform and control signals
  - Not used for physics (in A5202), only for debugging

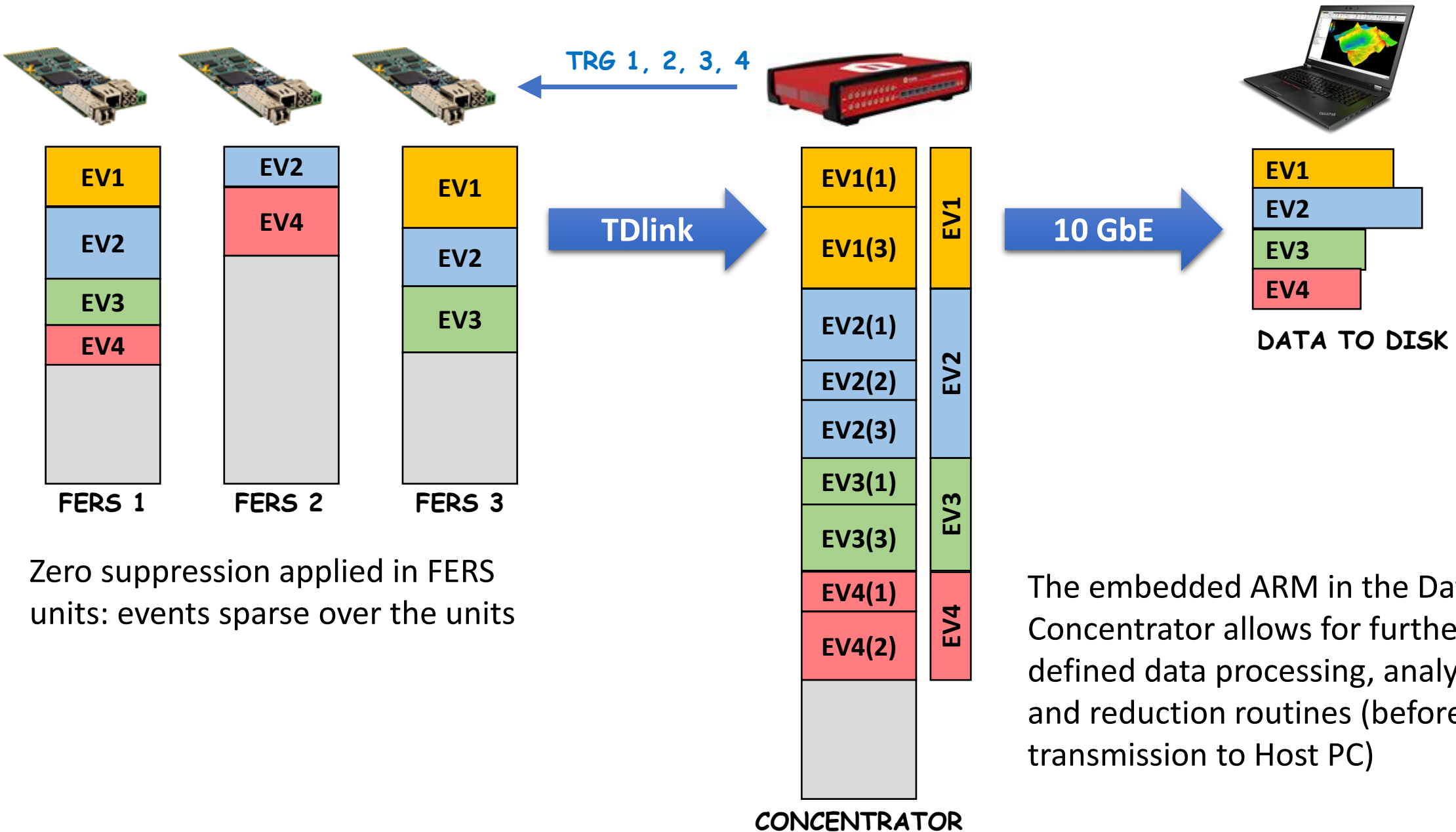




- **Common Trigger Mode**
  - **FERS units:** generate a trigger request (typically OR of channel discriminators)
  - **Data Concentrators:** receive and combine requests from all units and generate the **Global Trigger**
  - Triggers produce formatted data packets in the FERS units. Little local data buffering.
  - Data Concentrator reads data fragments belonging to the same event from FERS units (using Tstamp or Trigger-ID)
  - **Event Building** and data reduction takes place in the ARM processor of the Data Concentrator
- **Trigger-less Mode (independent channel acquisition)**
  - **FERS units:** each channel pushes data asynchronously, typically at different rates
  - Data aggregated in small packets in FERS units, then bigger packets in Data Concentrator
  - No trigger and data correlation in HW. Events reconstruction in DAQ.
- ARM processor running **Linux** and local DDR memory available in Data Concentrator
- High throughput data transfer to host computers via 10 GbE or USB 3.0
- Users can run custom routines for data handling in the embedded ARM



# Event Building in Concentrator Board



Zero suppression applied in FERS units: events sparse over the units

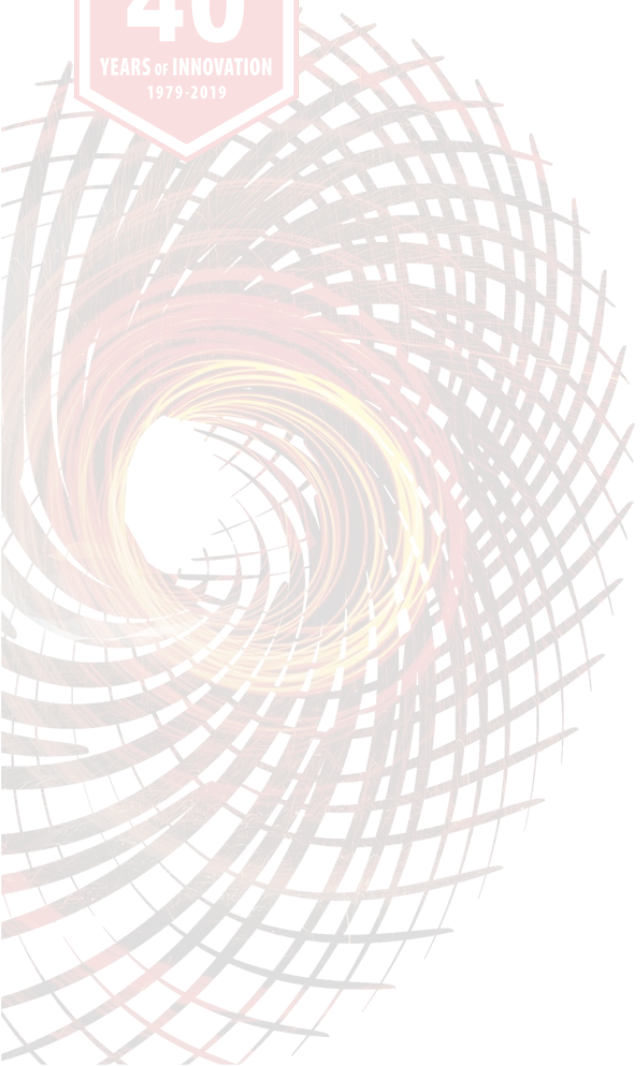
The embedded ARM in the Data Concentrator allows for further user defined data processing, analysis and reduction routines (before data transmission to Host PC)

- A new line of distributed readout electronics for multi-detector arrays is under development
- The FERS is a compact, scalable and versatile readout system
- Easy scaling up from a single desktop evaluation board to a >10K channel system
- Single fiber option ring connection for synchronization, slow control and readout
- 1<sup>st</sup> member of the family: A5202, 64 channel, SiPM readout module with Citiroc 1A and HV bias. Under test...
- Other FERS units with different Front End electronics coming soon





**40**  
YEARS of INNOVATION  
1979-2019



**Thank You**