

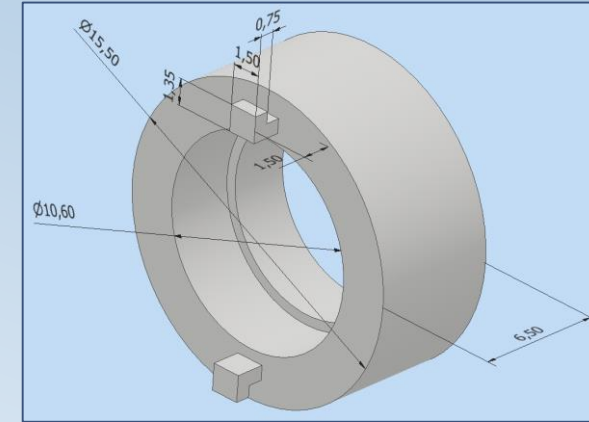
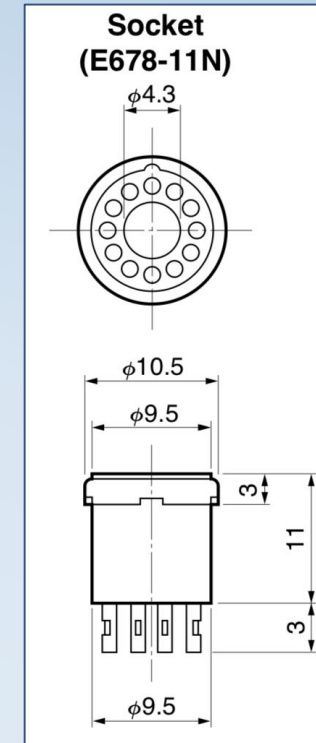
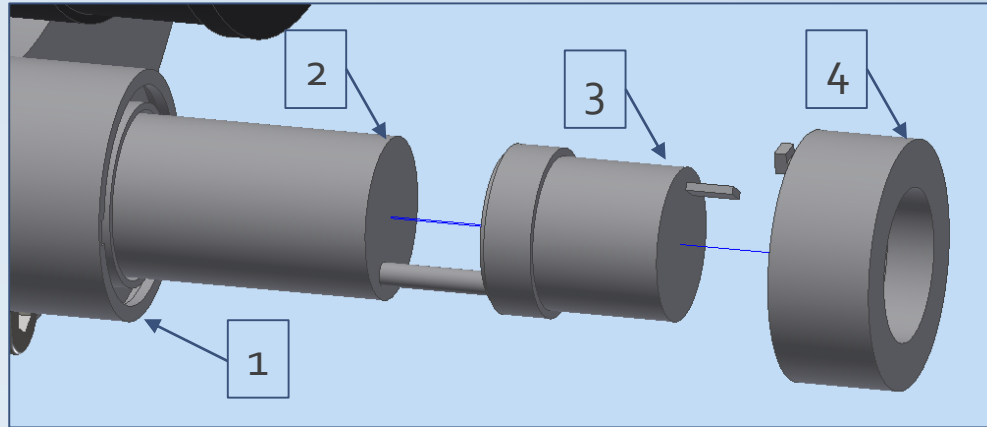
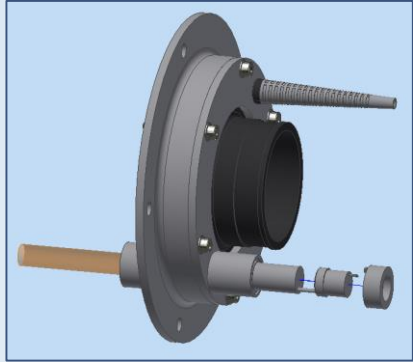
MANGO Design



Istituto Nazionale di Fisica Nucleare
Laboratori Nazionali di Frascati

Research Division
Mechanical Engineering Service

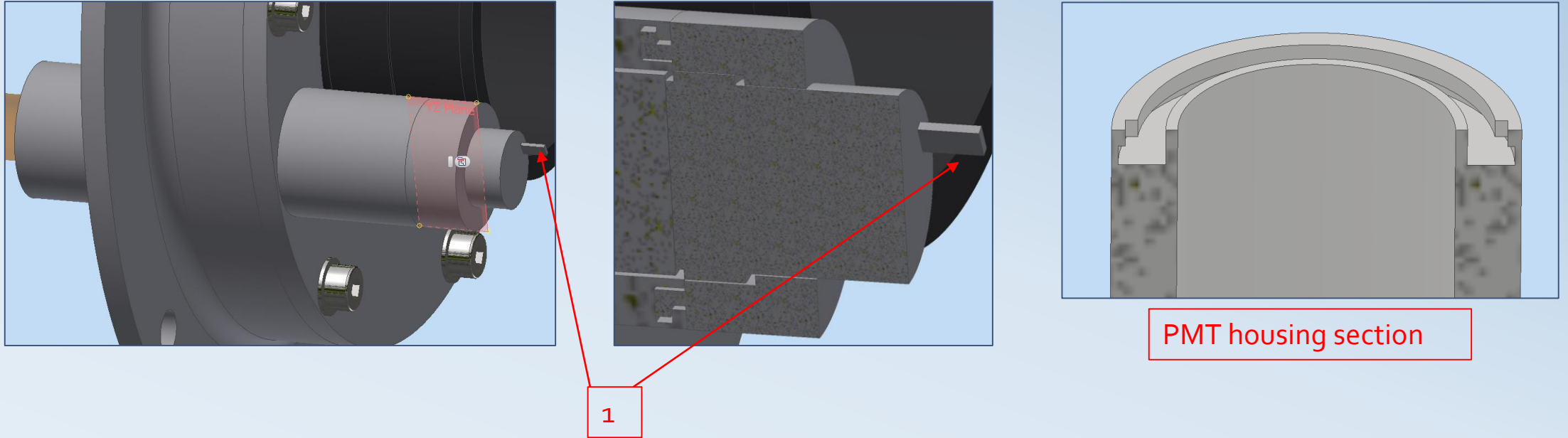
MANGO Design PMT tube



The PMT tube is composed by:

1. Flange made by 3D printing with PMT housing.
2. PMT.
3. PMT socket.
4. PMT plug made by 3D printing.

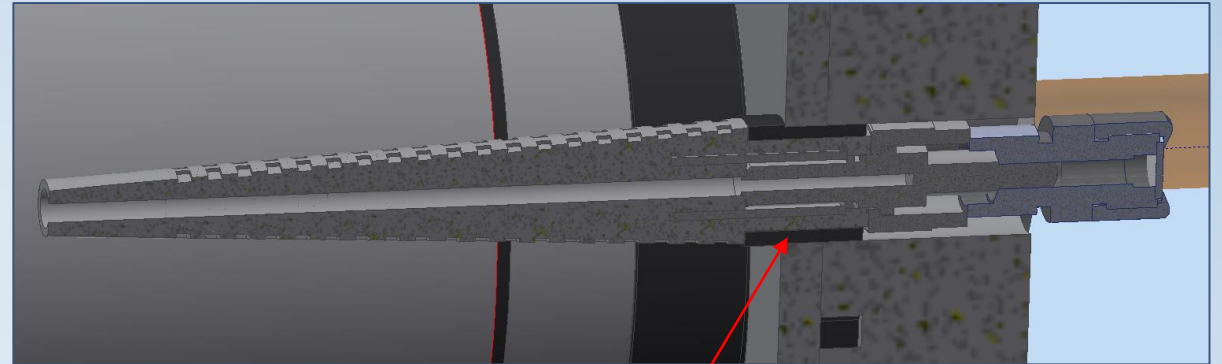
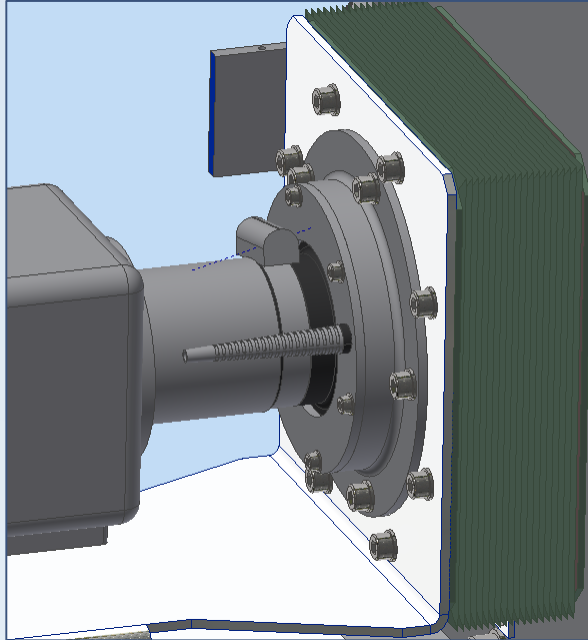
MANGO Design PMT tube



The connection housing – socket is made by two teeth to achieve the light-tightness.

1. Connection after the socket? Necessary to validate the solution proposed.

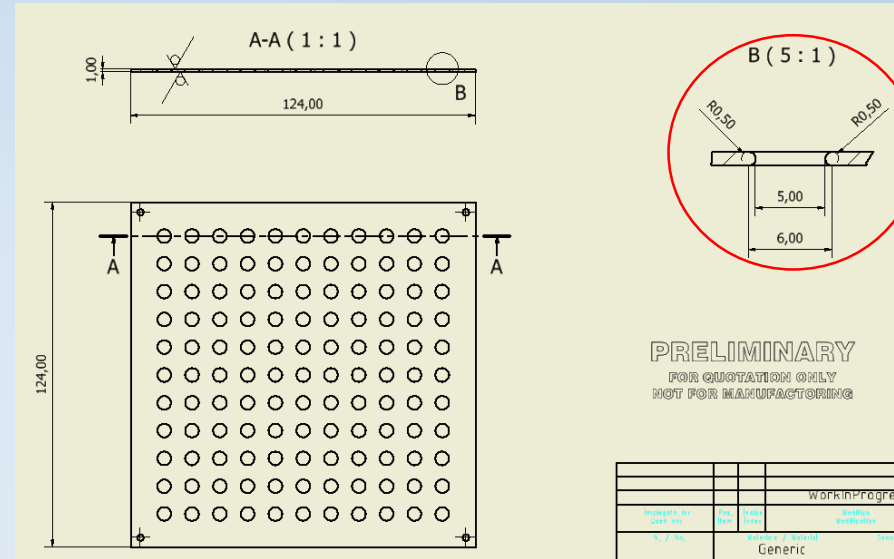
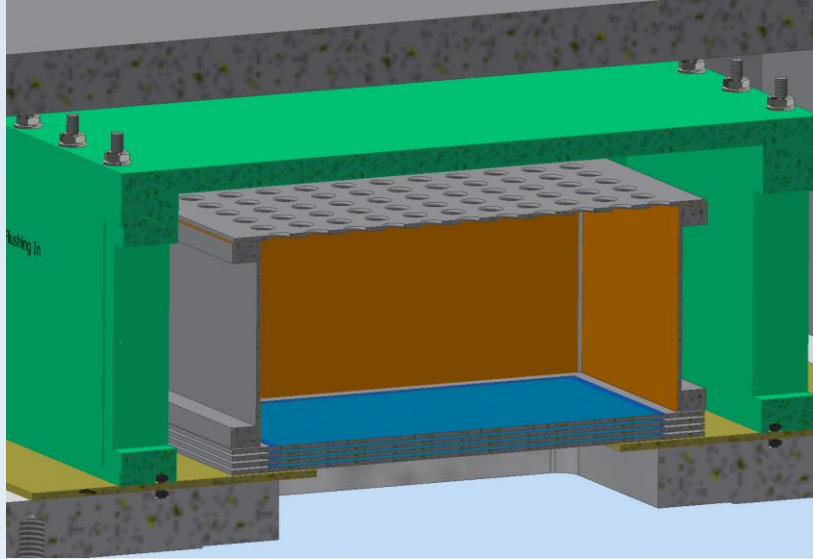
MANGO Design



OPT fiber collar

The SMA connector is sealed with a tango black gasket with 2 mm thickness.

MANGO Design- Cathode



Cathode made by conductive copper foil with holes to ensure gas inlet.

Thickness 1 mm. The radius on the edges of holes reduce EM field distortion.

Possible to increase thickness from 1mm to 2 mm?

MANGO Design

Open Point:

- FC
- Laser / OPT fiber