

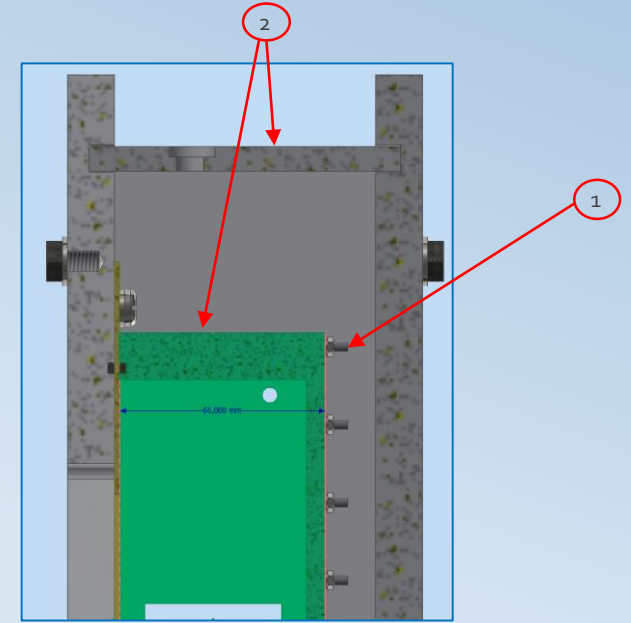
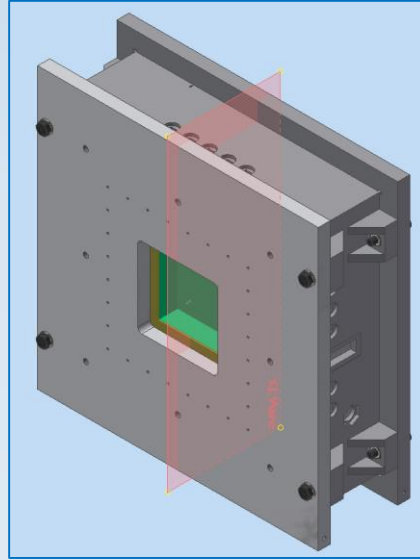
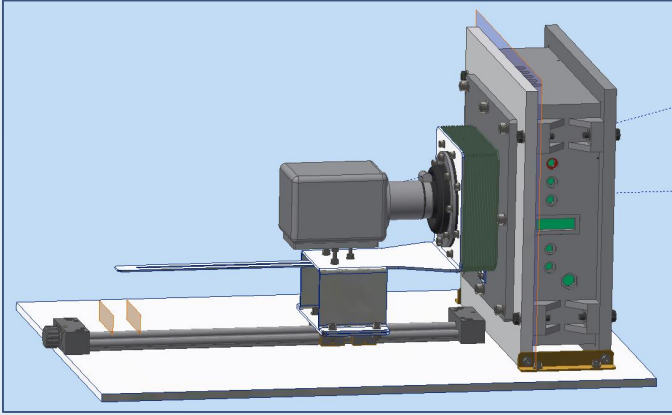
MANGO Design



Istituto Nazionale di Fisica Nucleare
Laboratori Nazionali di Frascati

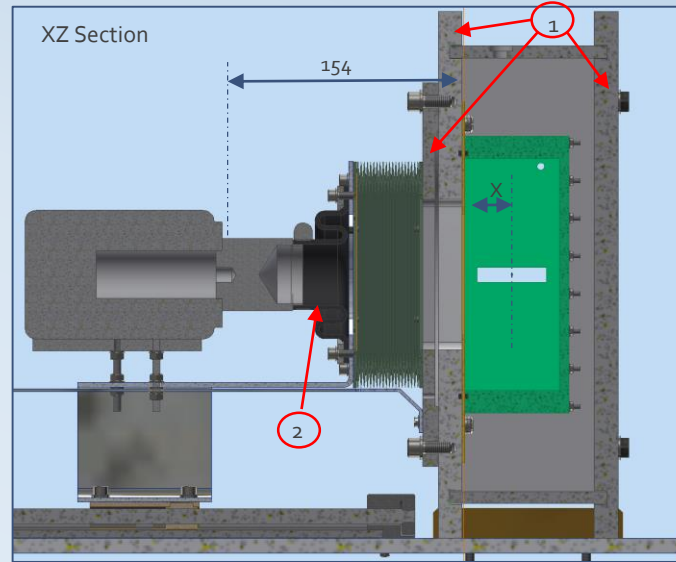
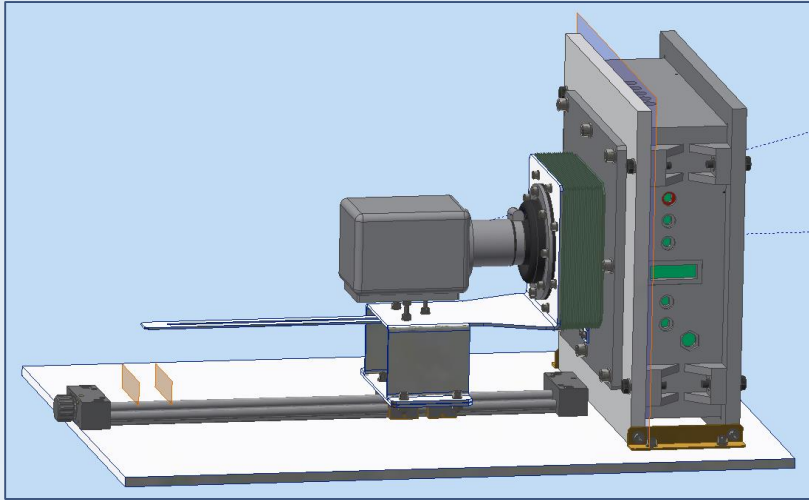
Research Division
Mechanical Engineering Service

MANGO Design



1. M3 x 85 threaded bars in Nylon or stainless steel? Problems with field ?
2. Lateral wall and internal block make with 3D printing

MANGO Design



Parts	Order status	Qty
Barre filettate M3x85(tondo nylon o acciaio inox?)	●	16+ (2)
O-Ring Di 202,8 sezione 2,62 70 Shore	●	2
M6 x 8 , Nylon?	●	4
rosette piane per M6 Nylon?	●	4
Dadi M3 Nylon?	●	16+ (2)
rosette piane per M3 Nylon?	●	16+ (2)
Soffietto	●	1
Guida IGUS	●	1
Anello adattatore per obiettivo Schneider	●	1
Fascetta a nastro INOX 9 mm 35-50	●	1
PVC nero s=15mm 1m x 500 mm	●	1
PVC nero s= 10 mm 300x300	●	1

1. Minimum distance camera-Optical Readout Plate 154 mm, required 140 mm. X distance ORP-GEM.
2. Seal made with 3D printer
3. Orders status
4. According to workshop scheduling, ready to production?