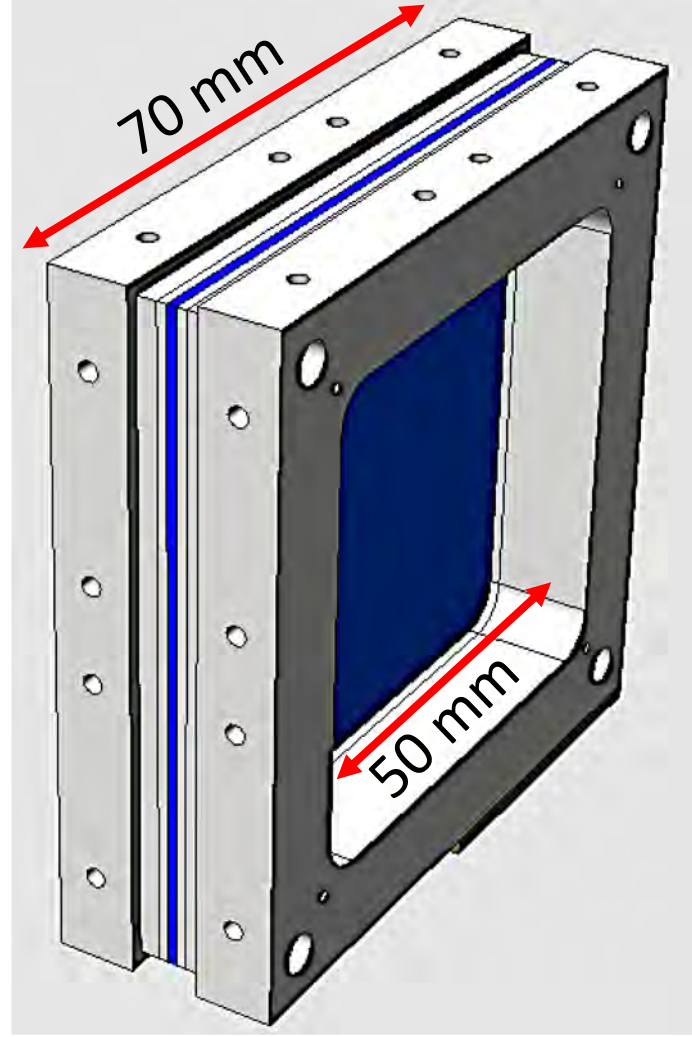
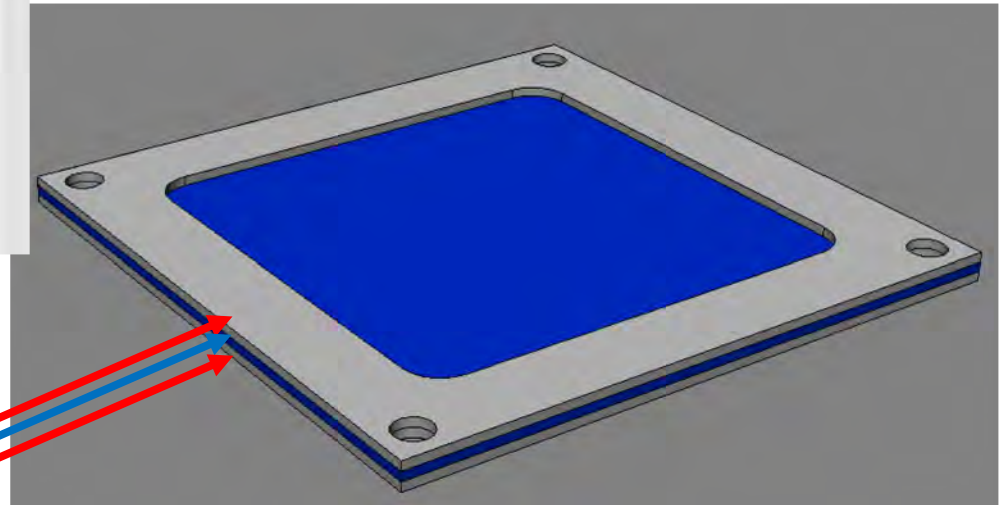
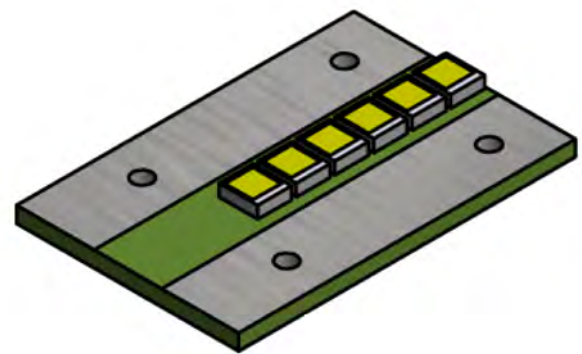
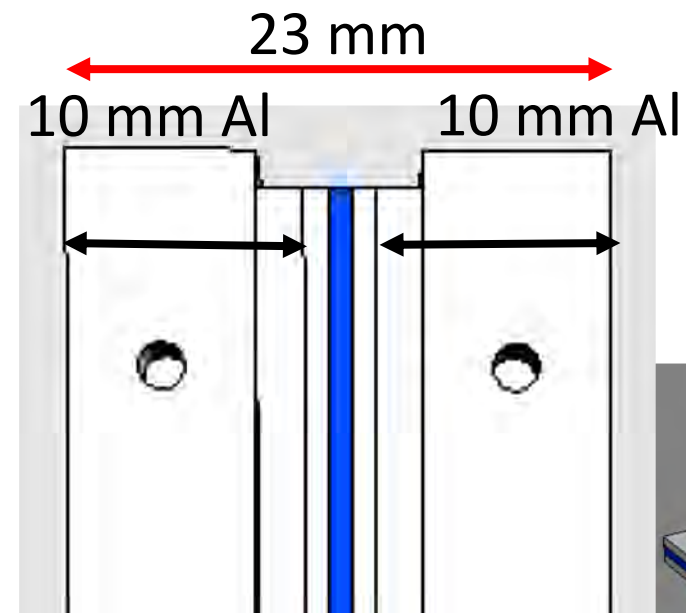


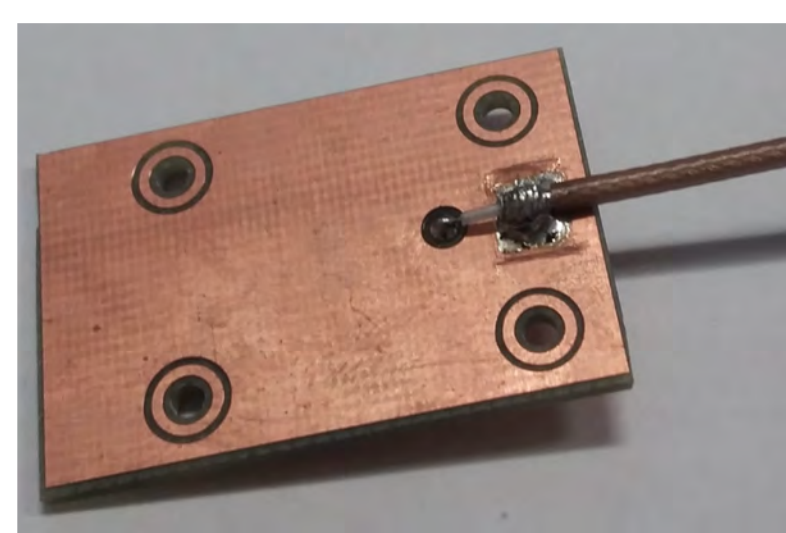
MARGARITA Start Counter



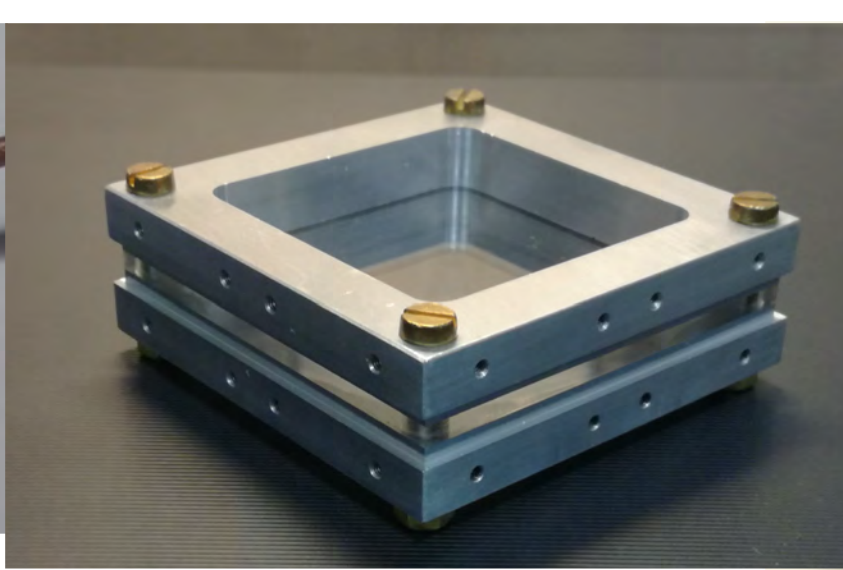
3 mm sandwich:
1 layer 0,25 <-> 1 mm scintillator
2 layers of 3D printed clear photopolymer

to be enclosed in a ~ 10 cm x 10 cm x 5 cm
light tight box with two thin windows
(4 μm mylar + 0,4 μm Al each)

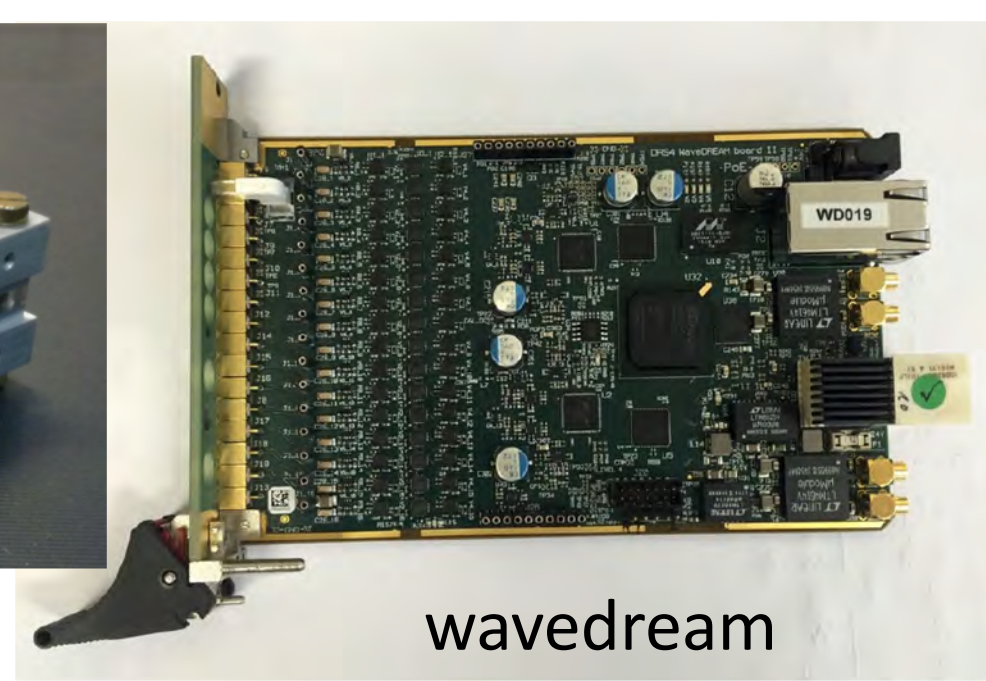




INFN Roma1 (LABE)



SBAI (Marco Magi)



wavedream

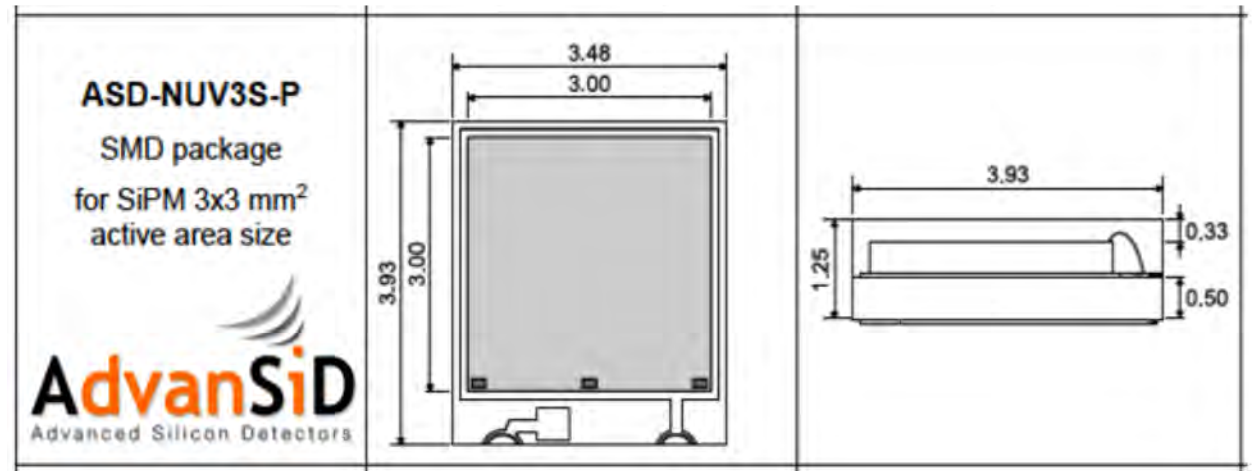


EJ-204 700 ps rise time

0,25 mm <-> 1 mm

10 000 ph/MeV

EJ-590 aluminized mylar



first tests: end June

