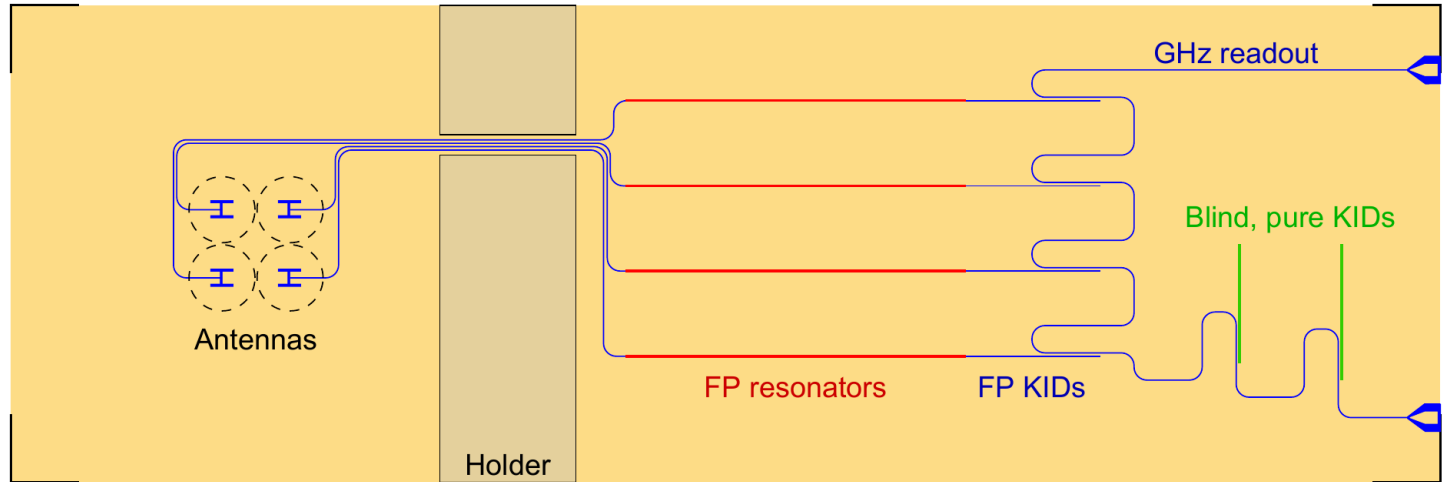


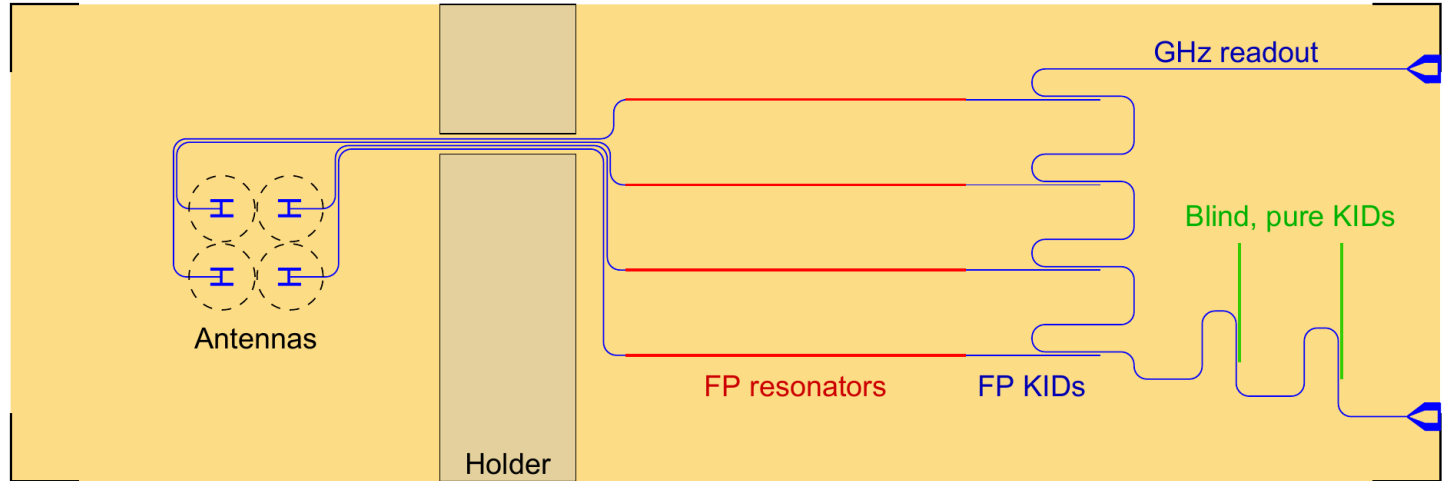
Optimized design for on-chip Fabry-Pérot resonators

K. Kouwenhoven, S. Hähnle, D. Thoen, V. Murugesan, and J. J. A. Baselmans



Optimized design for on-chip Fabry-Pérot resonators

K. Kouwenhoven, S. Hähle, D. Thoen, V. Murugesan, and J. J. A. Baselmans



- NbTiN : a-Si : NbTiN microstrip
- @ 300 – 400 GHz, 40mK
- $\tan\delta \sim 0.33 \times 10^{-3} - 0.5 \times 10^{-3}$