

DAFNE/SIDDHARTA2 - BTF/PADME ONGOING INSTALLATION ACTIVITIES

Luigi Pellegrino (Mech.Eng. Group – Accelerator Div.)

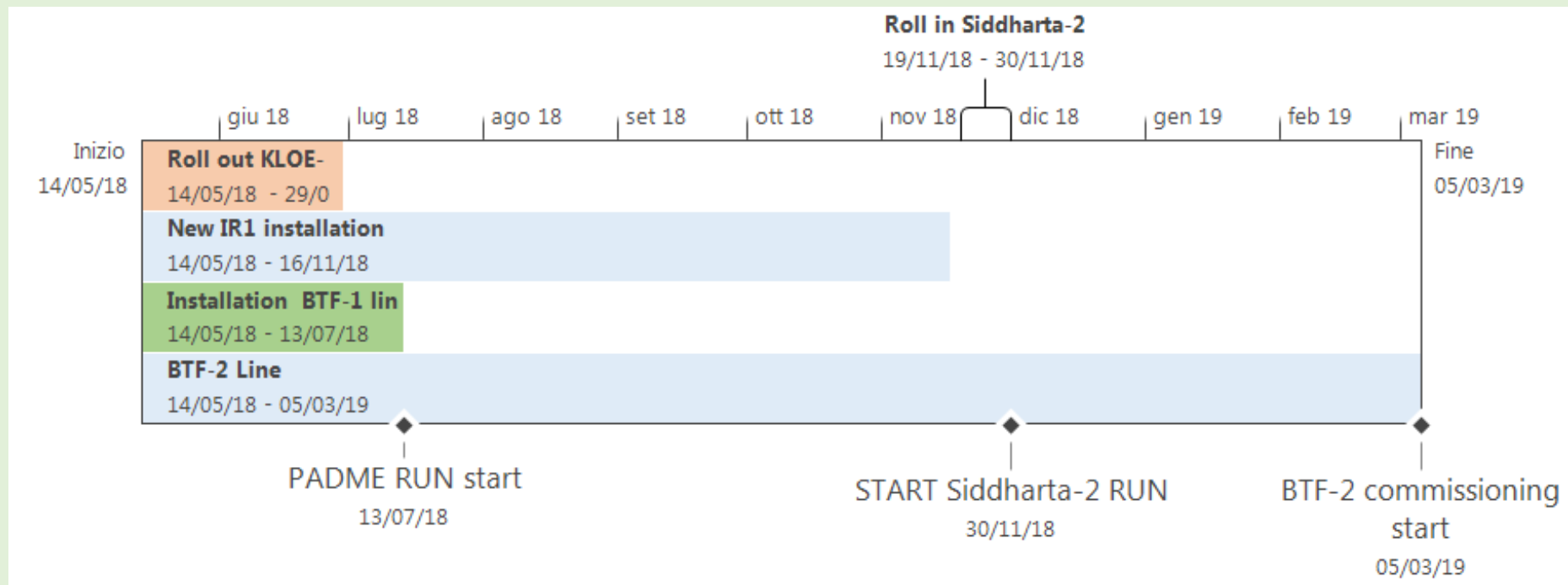
On behalf of the inter-division working team

(LNF Scientific Committee, May 14, 2018)

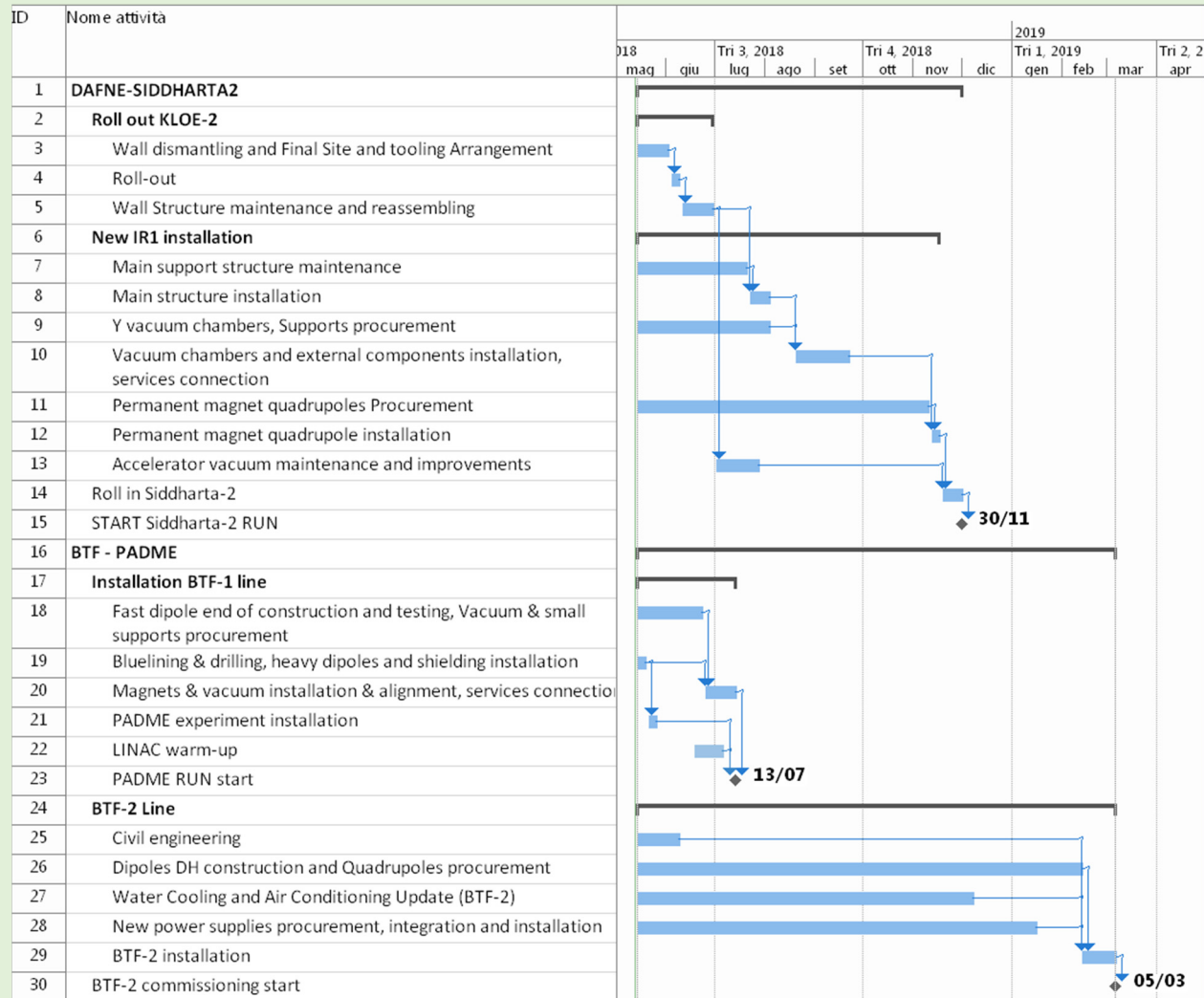
SUMMARY

- Time schedule from now on
- Work done to come to now

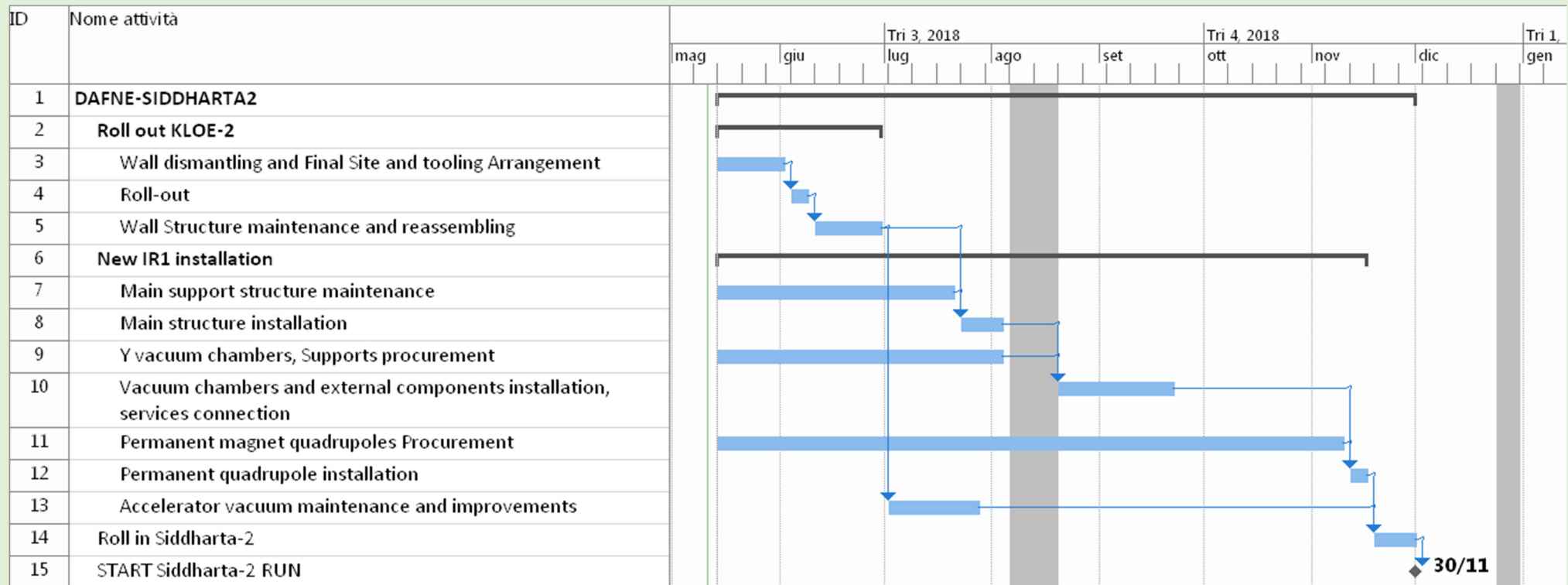
NEXT MILESTONES SUMMARY



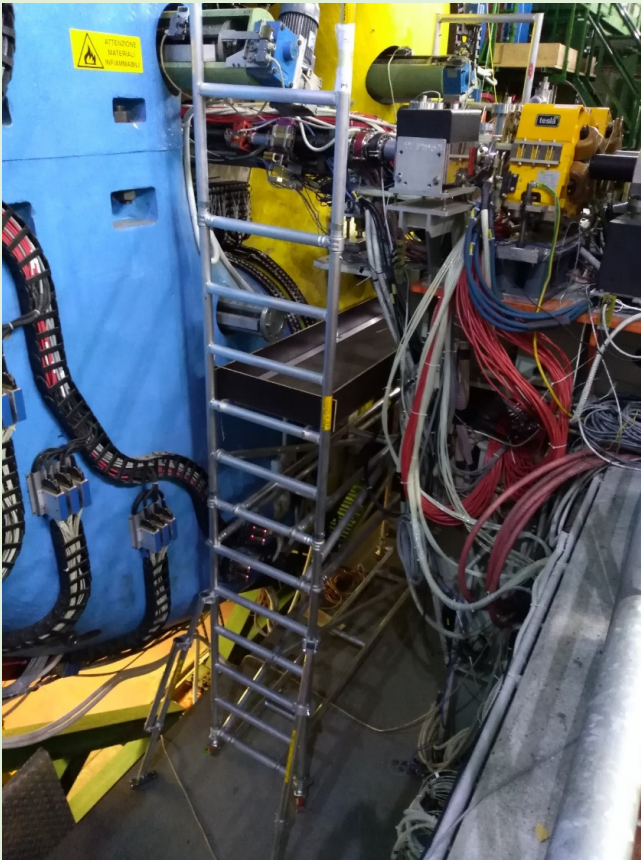
MORE DETAILS



PART 1: SIDDHARTA-2 RUN PREPARATION: (from now to the end)

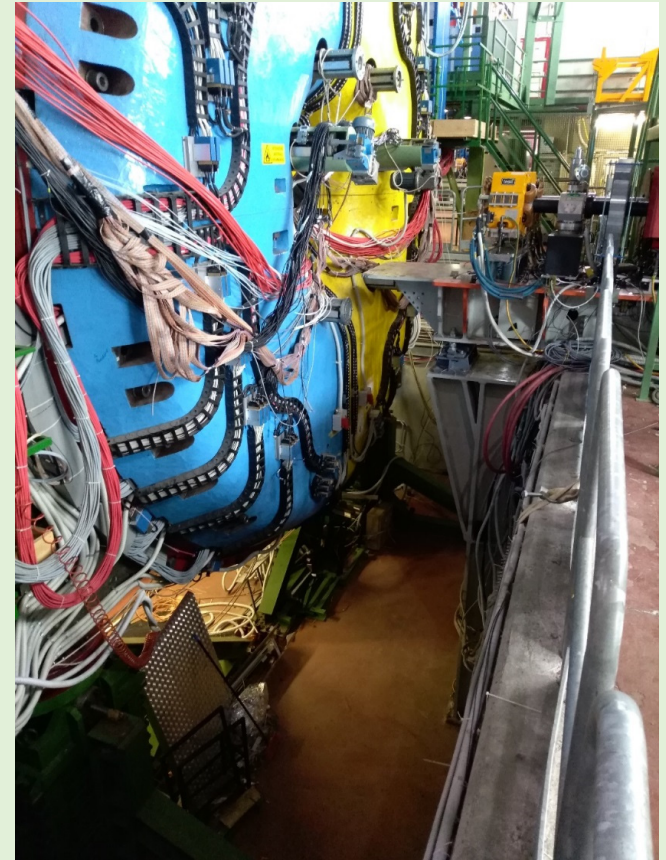


Accelerator Disconnection and Site Arrangement



5/14/2018

- START:
Beginning of
April 2018.
- 95% DONE



ONGOING INSTALLATION ACTIVITIES - L. PELLEGRINO

Wall dismantling

Just started.

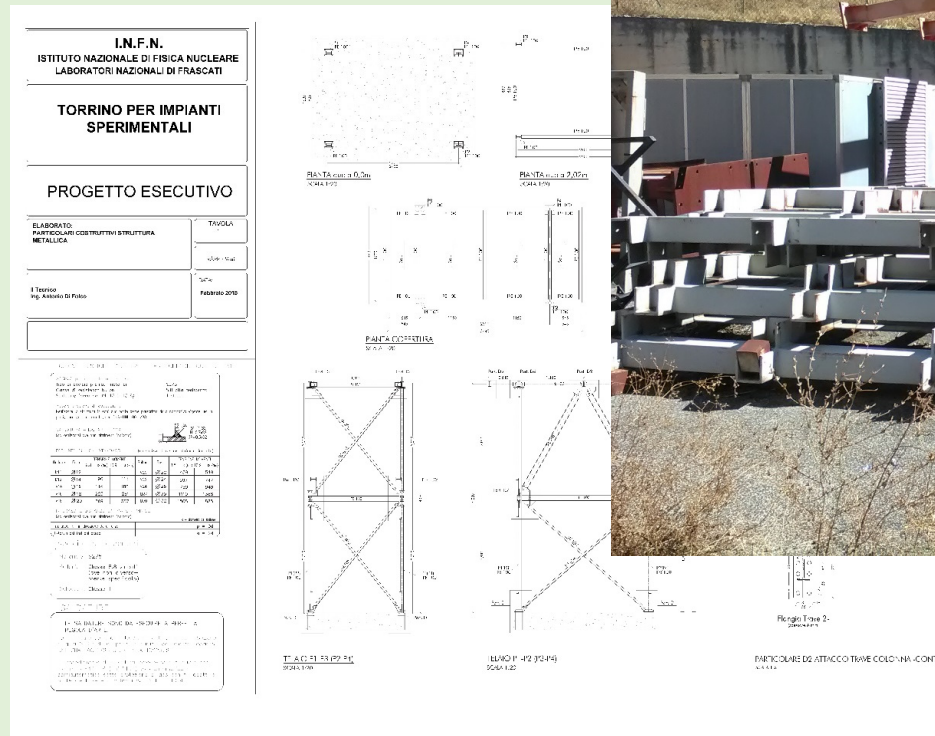
Contractor: General Montaggi



Interaction Region Main support structure maintenance

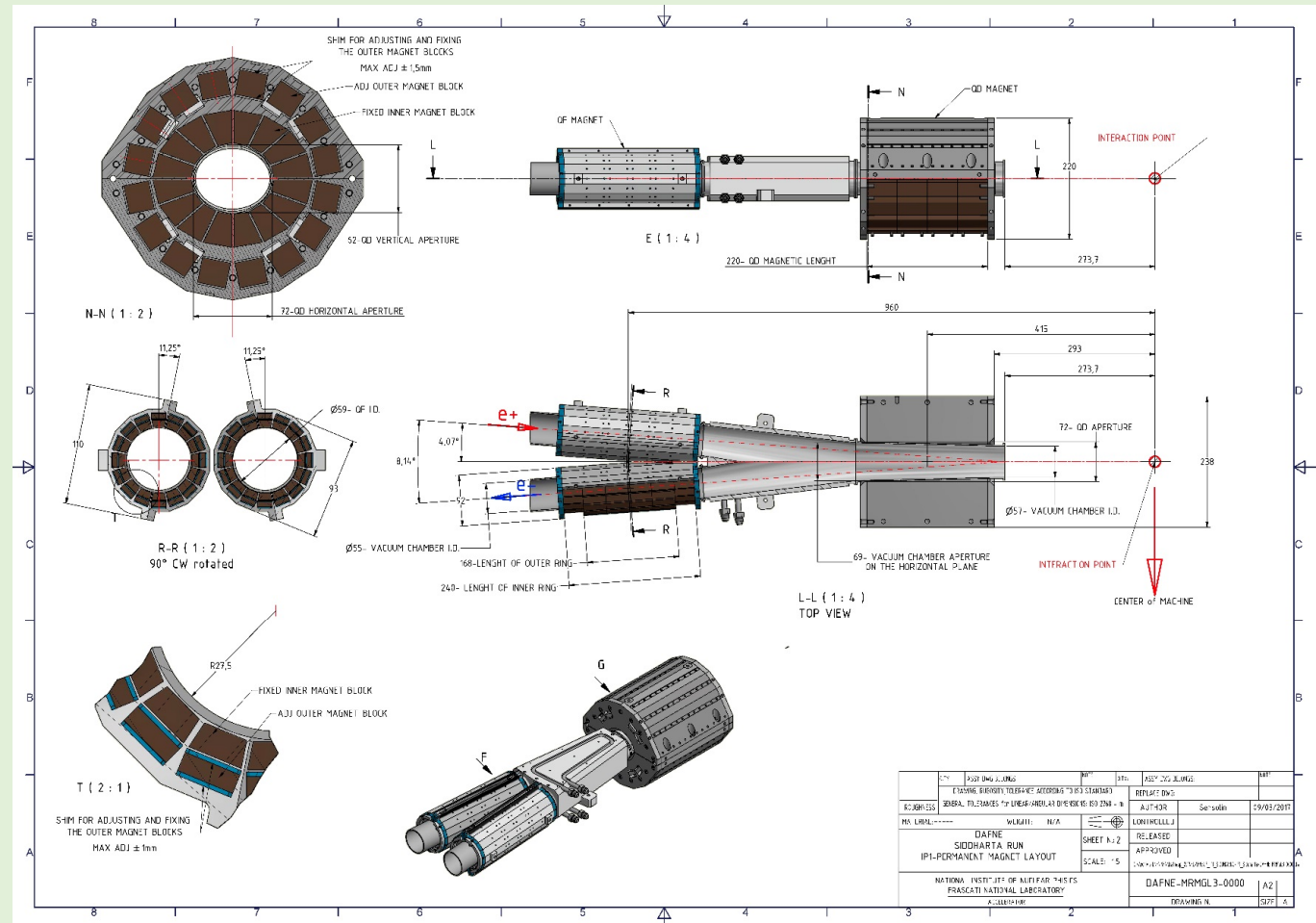
Partially re-designed, newly re-certified (Start: Summer 2017)

Order for refurbishment just placed to COIM2005

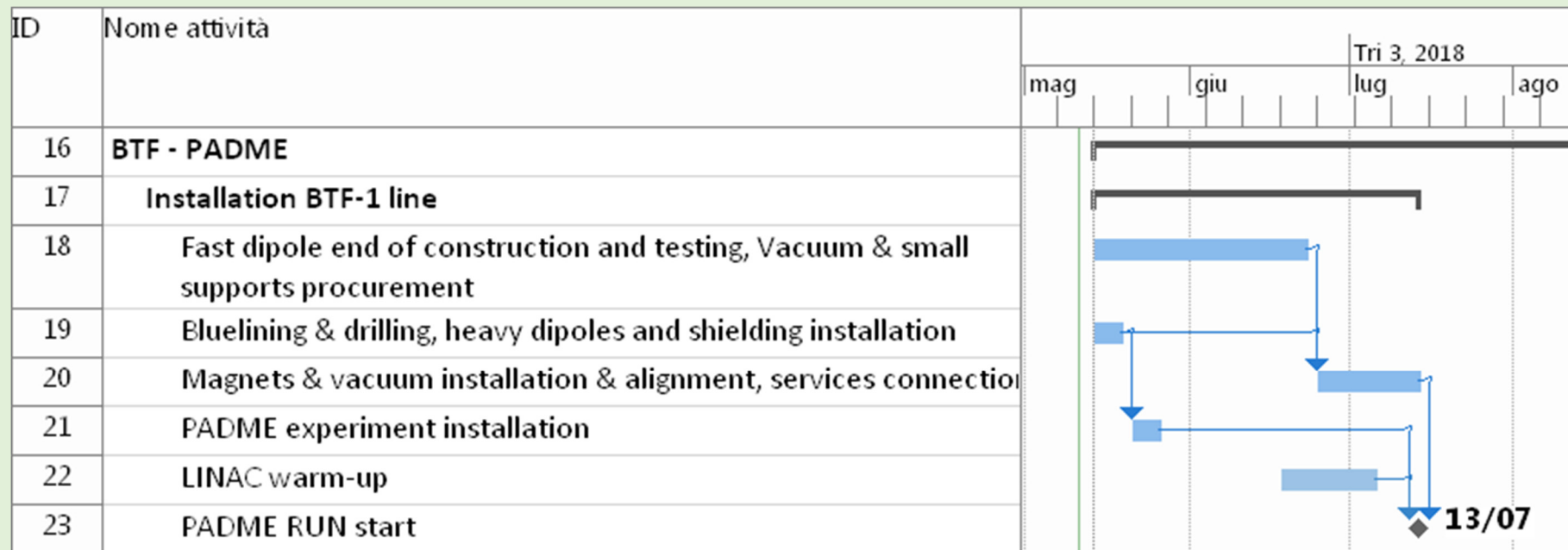


Y vacuum chambers & permanent magnet quadrupoles

- Activities started end of 2016. Several delays and troubles.
- PMQs designed by ESRF/LNF collaboration; order for construction just placed to ESRF.
- Vacuum chambers: design ready for bid.

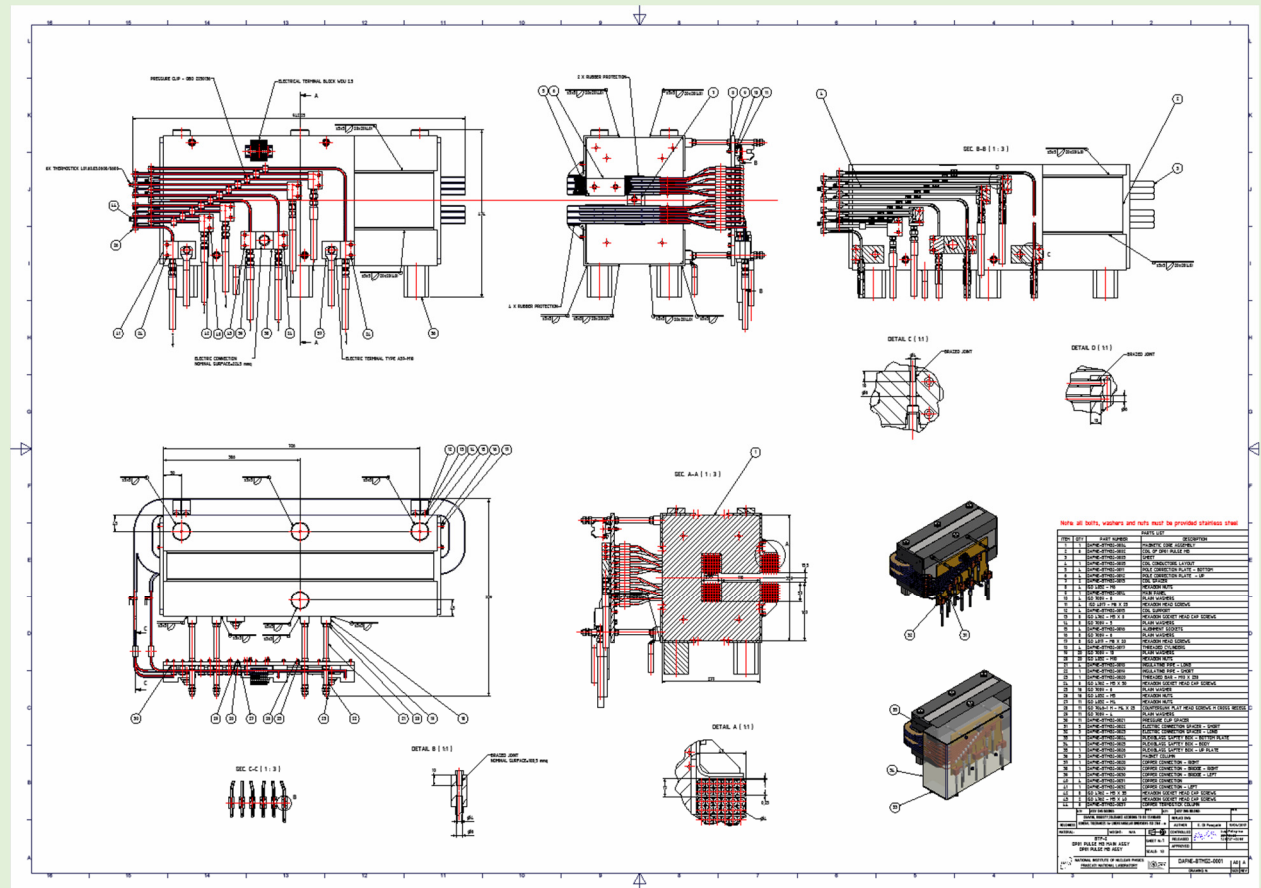


PART 2: BTF-2/PADME RUN PREPARATION (from now to the end)



Fast dipole for BTF-1 line

- Magnetic and Mechanical design by LNF
- Activity started end of 2016
- Fall 2017 Order placed to ORMET



Fast dipole - 2

- Some trouble in the construction process, now it seems to the end (beg. of June)
- Magn. and mech. measurement by LNF

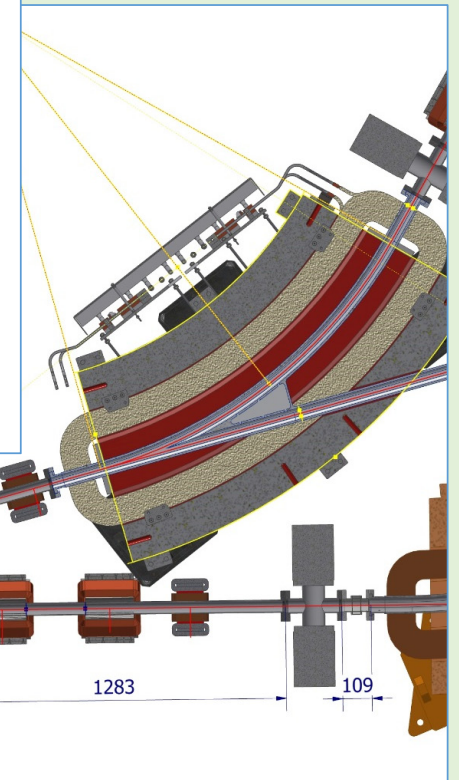


5/14/2018

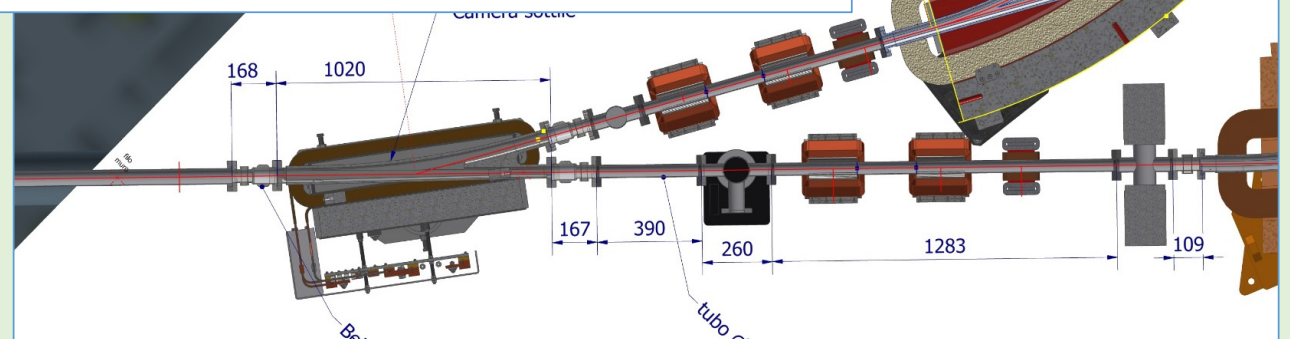
ONGOING INSTALLATION ACTIVITIES - L. PELLEGRINO

12

BTF-1 vacuum chamber



Design LNF ready for bid

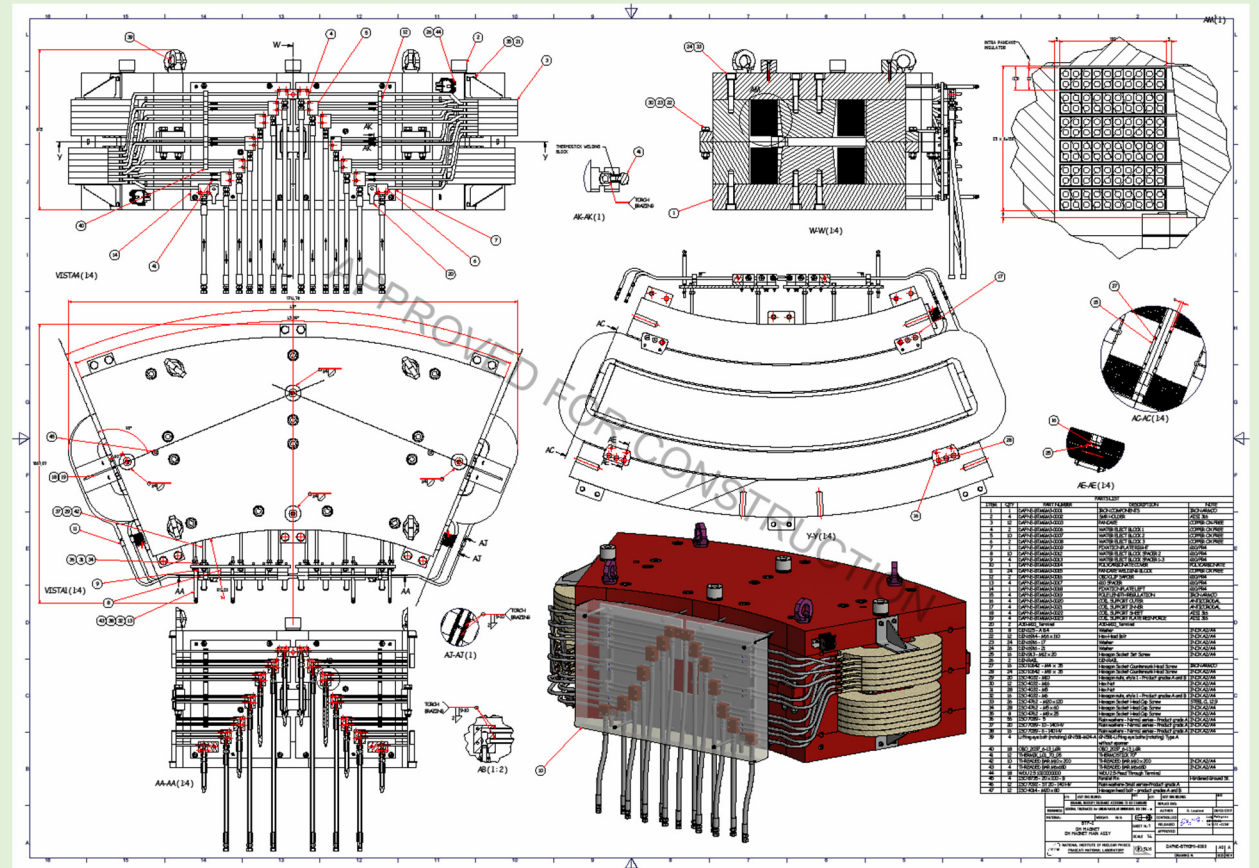


Supports arrived; bluelining done and drilling ongoing (1 week)



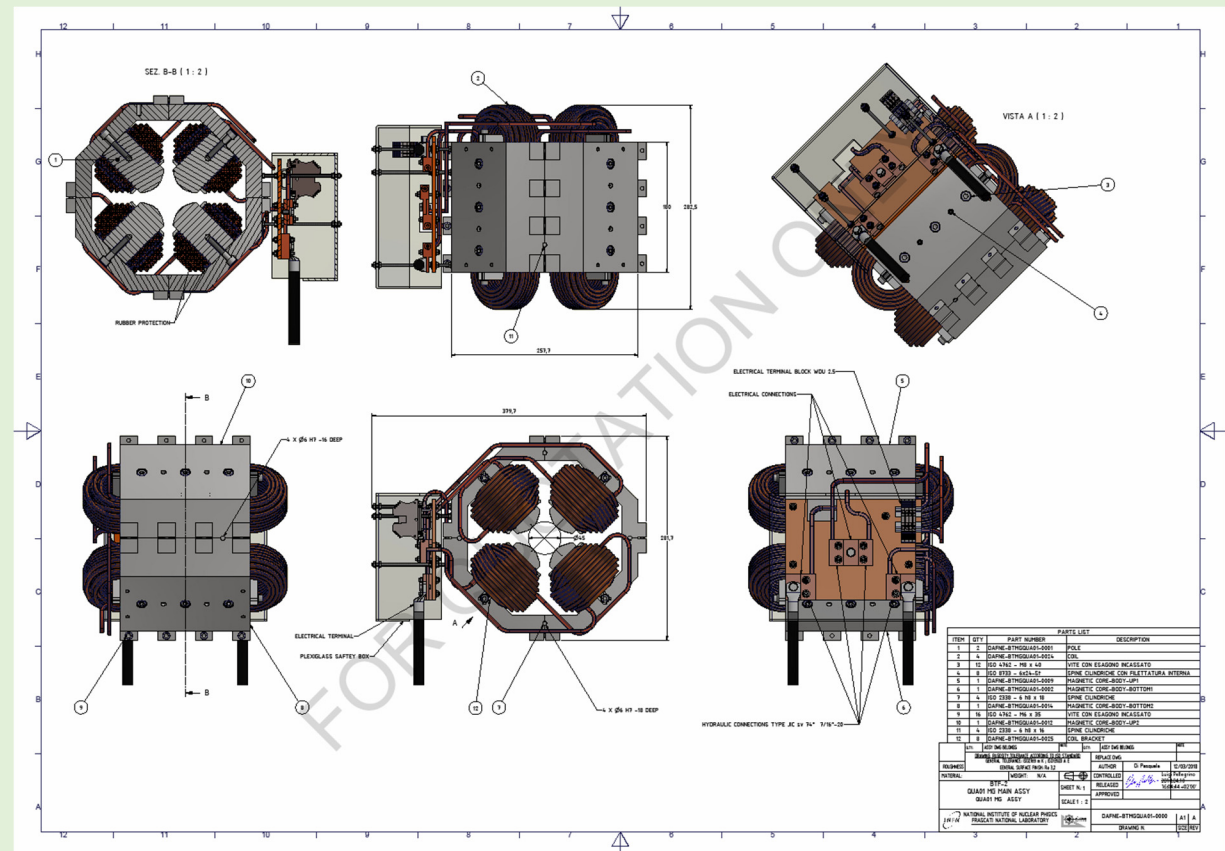
Dipoles DH01-02 for BTF-2 line

- Started on Summer 2017
- Magnetic and mechanical design by LNF.
- March 2018: Order placed to Sigmaphi.



Quadrupoles for BTF-2 line

- Started on Summer 2017
- Magnetic and mechanical design by LNF.
- Bid ongoing.



Thanks to all my work mates! (here a couple...)



5/14/2018

ONGOING INSTALLATION ACTIVITIES - L. PELLEGRINO

17