



My experience as FNAL summer student

Gabriele Taddei

MUSE General Meeting

30 September 2016



UNIVERSITÀ DI PISA



About myself

Name: Gabriele

Surname: Taddei

Place of birth: Pietrasanta (LU)

Date of birth: 03 October 1992

Residence: Camaiore (LU)

Education: Bachelor Degree in Mechanical Engineering at University of Pisa

Currently attending Master Degree in Mechanical Engineering at University of Pisa

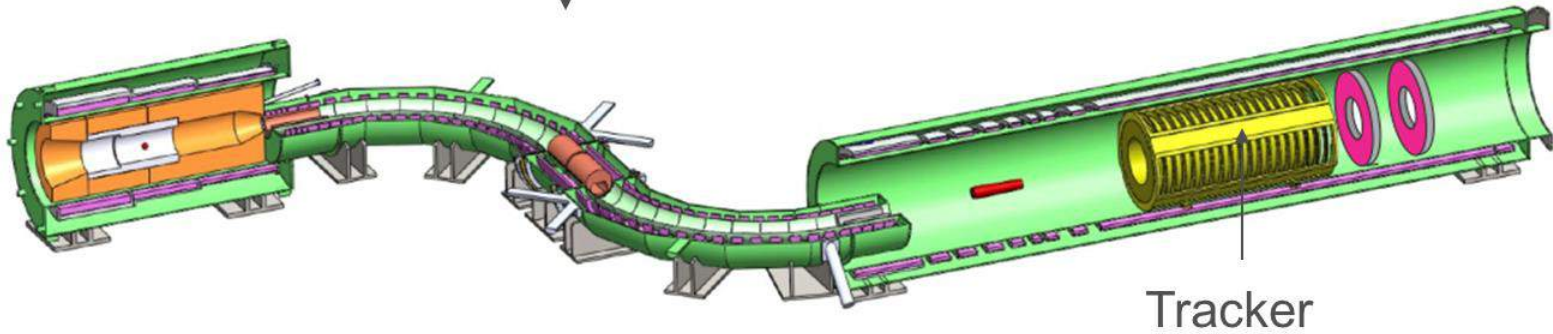


Mu2e DS Tracker

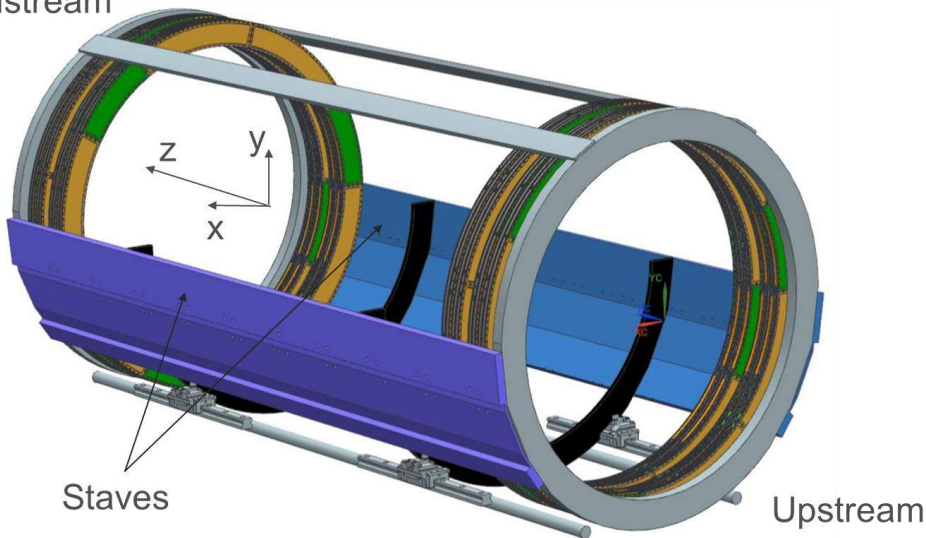
Production
Solenoid (PS)

Transport
Solenoid (TS)

Detector
Solenoid (DS)

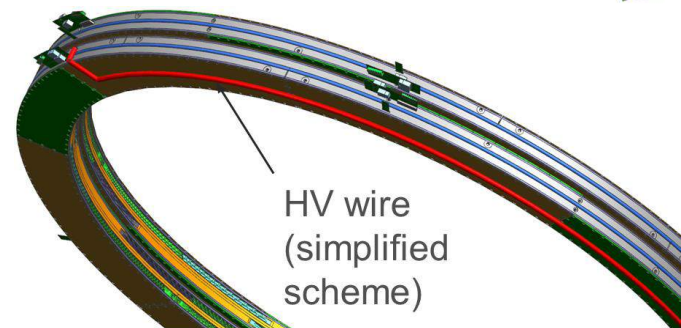
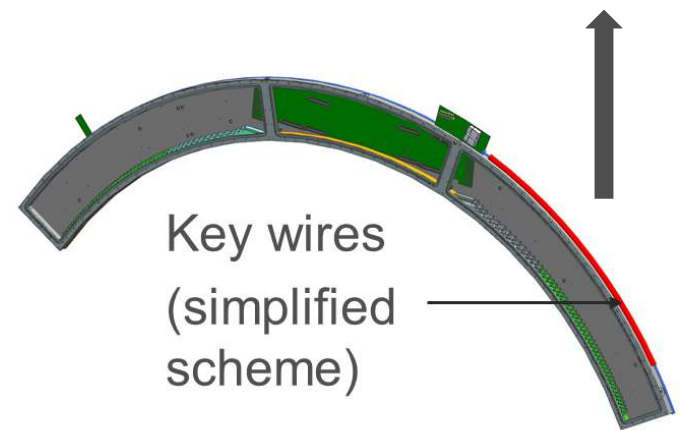
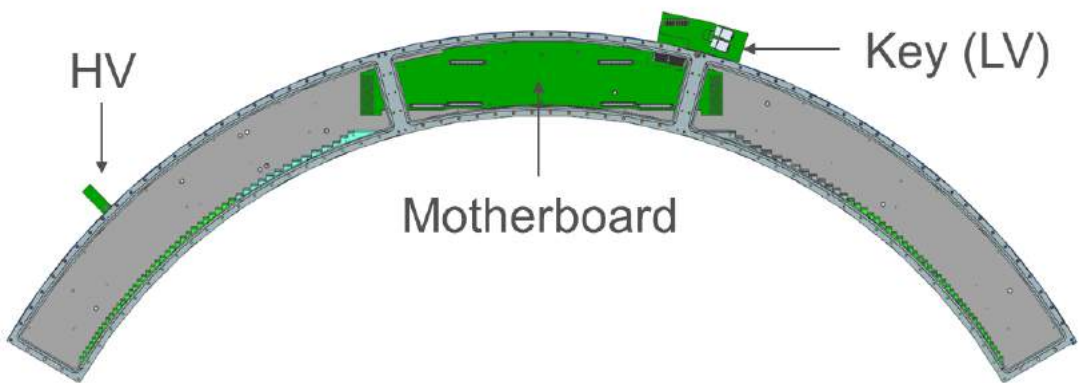
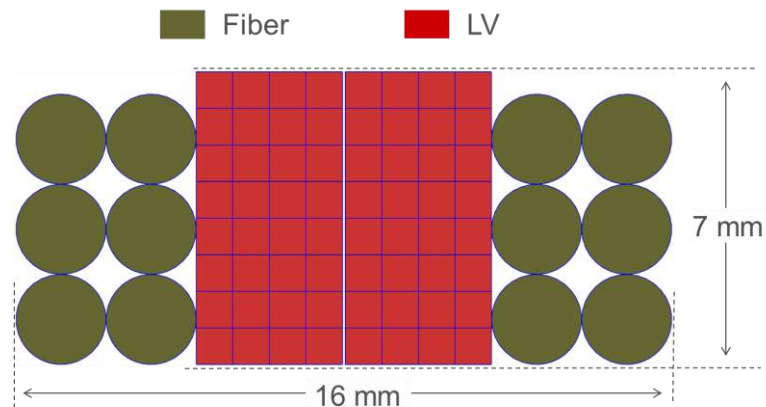
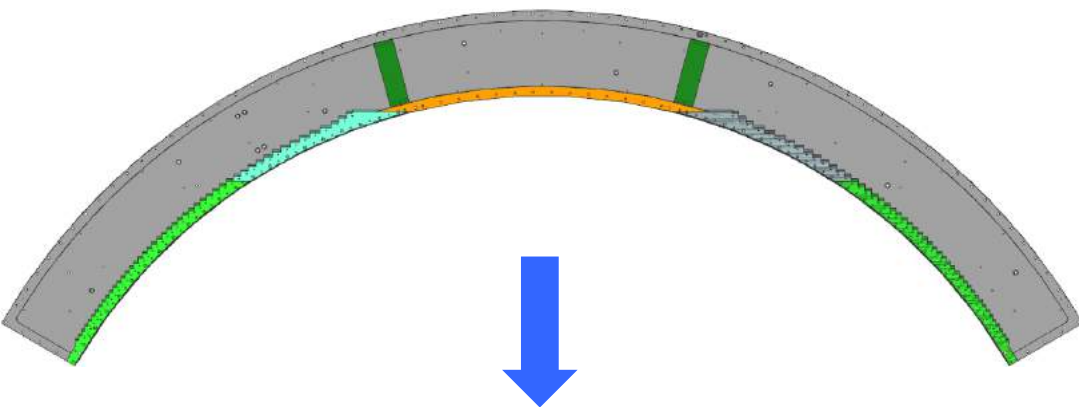


Downstream

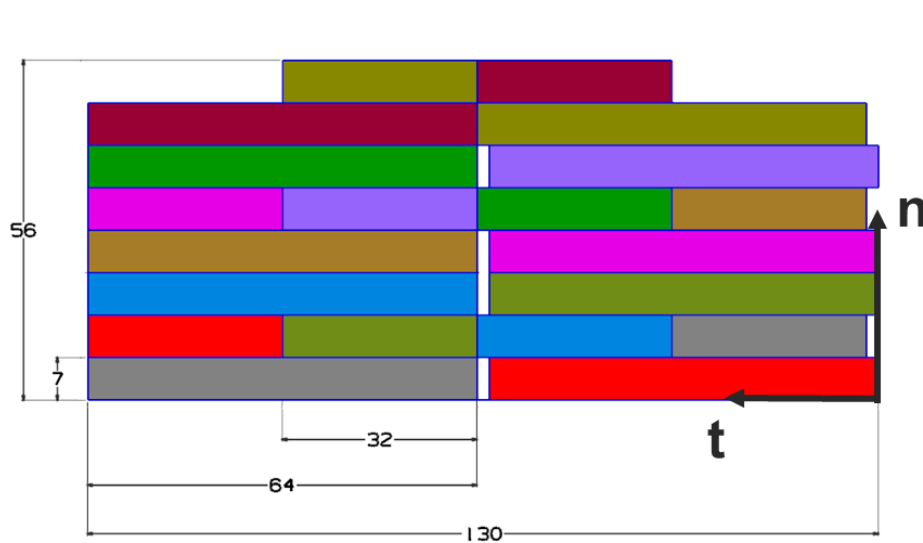


1. Conceptual design of electrical and gas system
2. Analytical evaluation of mounting planes uncertainty
3. Planes contact pressure analysis

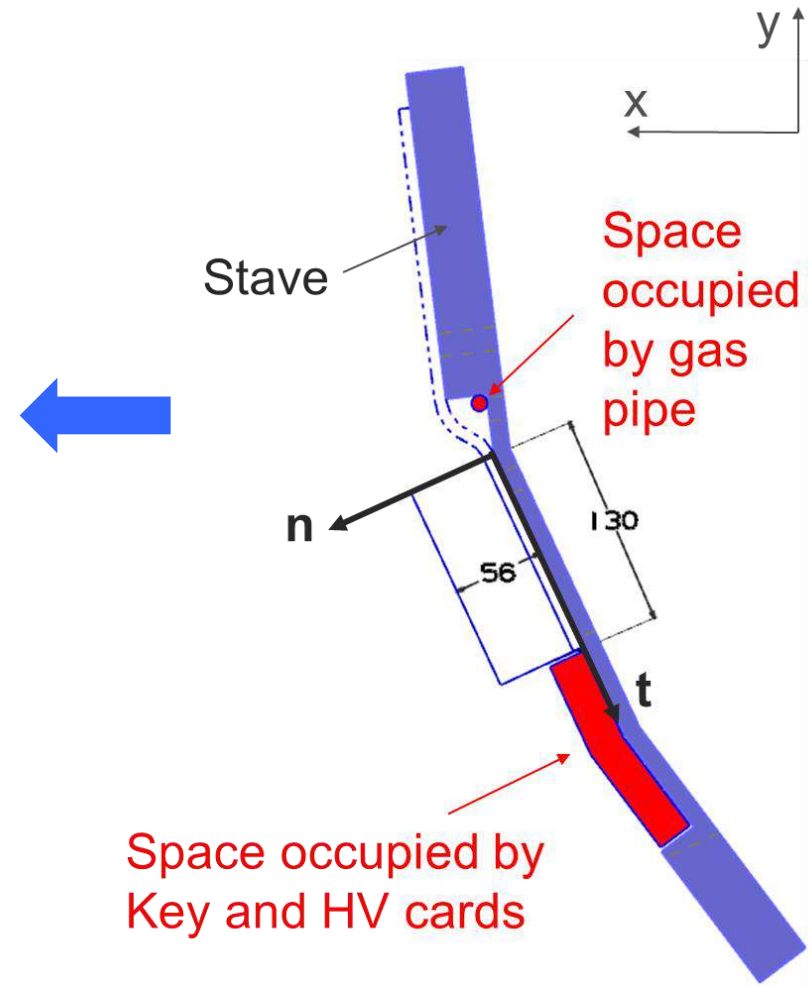
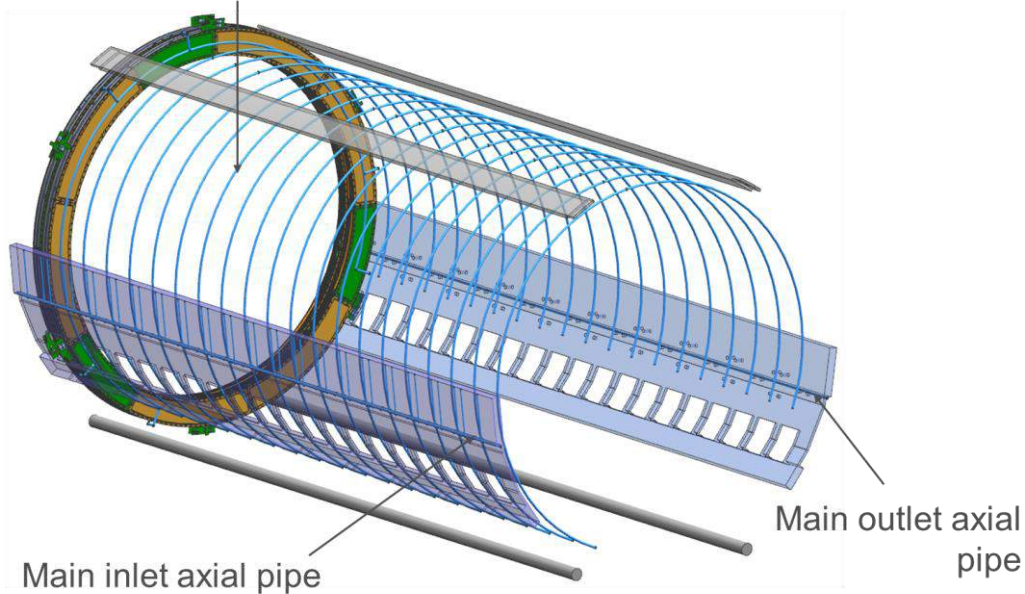
T1: Conceptual design of electrical and gas system



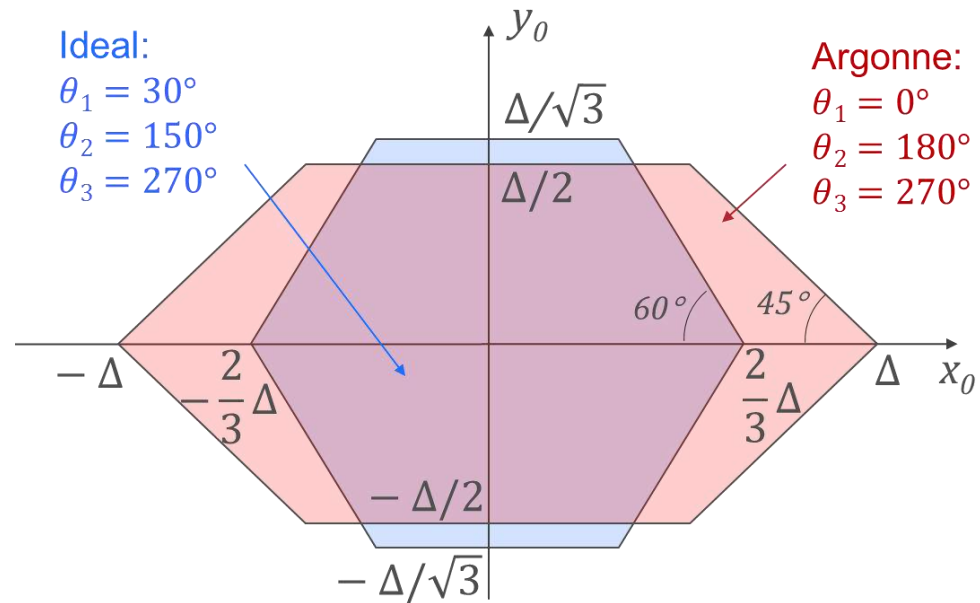
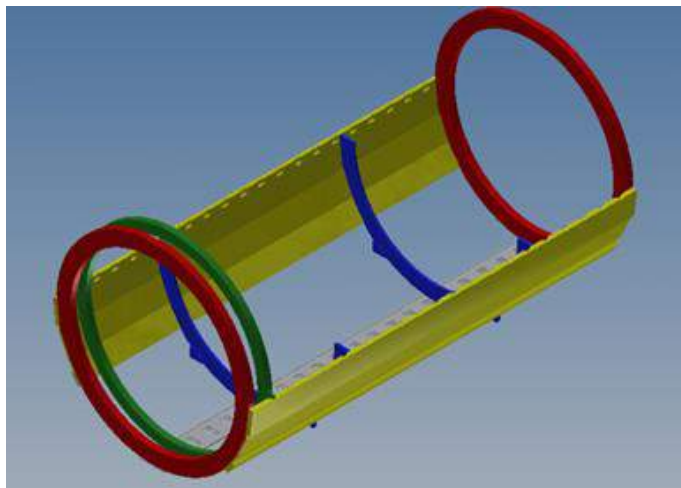
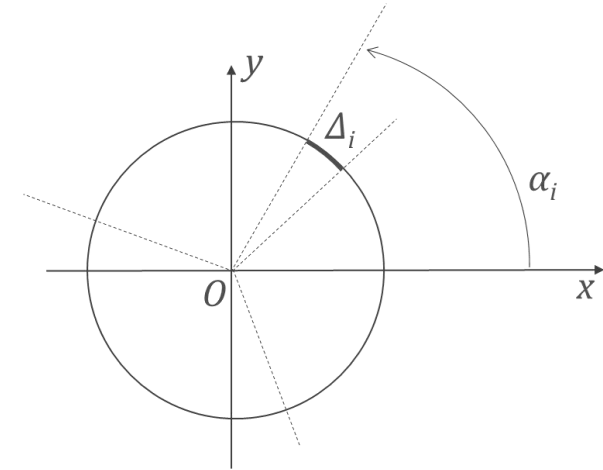
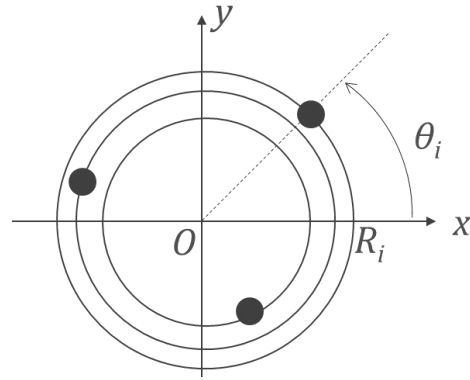
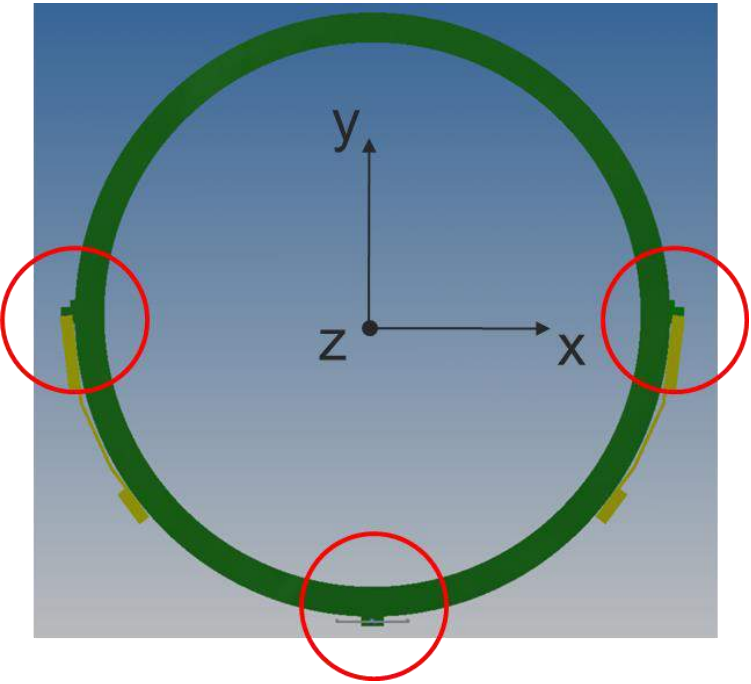
T1: Conceptual design of electrical and gas system



Circumferential pipes



T2: Analytical evaluation of mounting planes uncertainty



T3: Planes contact pressure analysis

$R_s = 9.525$ mm
 $R_{cg} = 9.600$ mm
(both stainless steel)

SF = 1.01 

$R_s = 9.525$ mm (silicon-nitride ceramic ball)
 $R_{cg} = 9.600$ mm (stainless steel, coated with WC)

SF = 2.91 



$R_s = 4.850$ mm (silicon-nitride ceramic ball)

$R_{cg} = 4.900$ mm (stainless steel, coated with WC)

SF = 1.68 

A tormented application

Dec '14: discover of Fermilab internship – not able to apply for



27 Feb '16: transmission of required documents to Dr. Donati



7 Mar '16: interview with Dr. Donati



20 May '16: deadline for acceptance – no piece of news



27 May '16: Dr. Donati's call – acceptance



22 Jul '16: last night in Rome

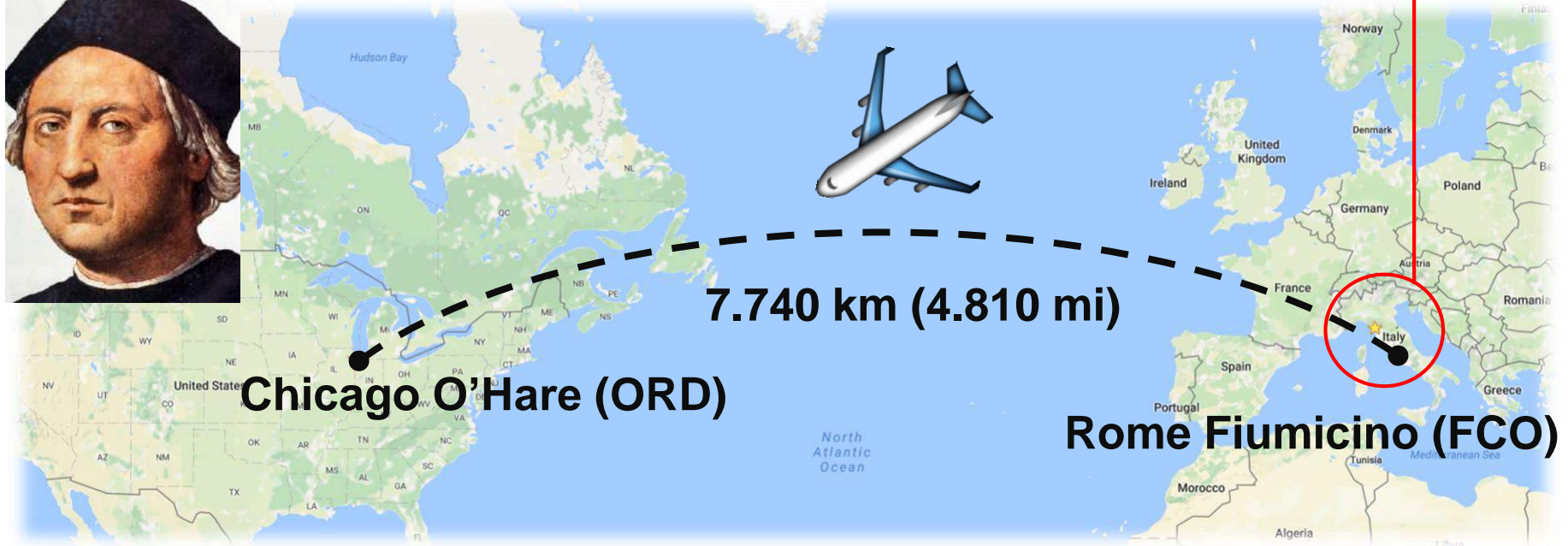


23 Jul '16: welcome to United States of America



Making for the New World

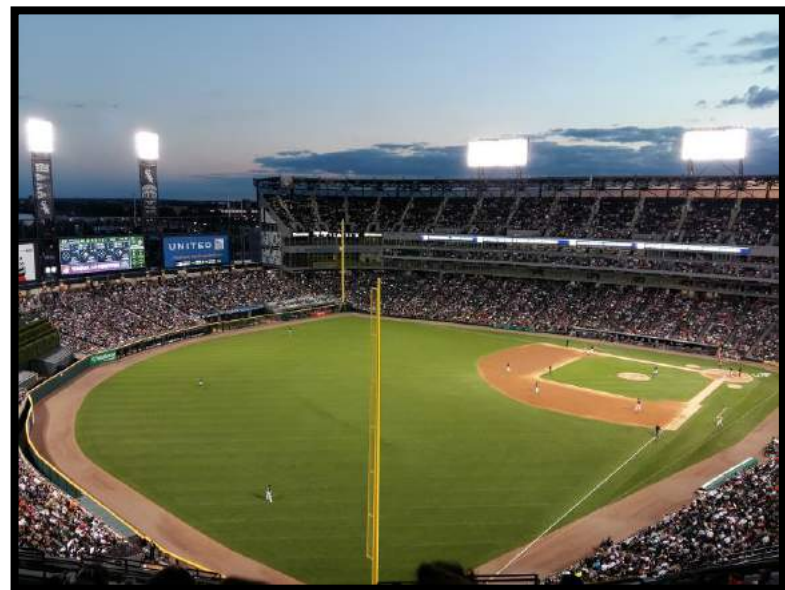
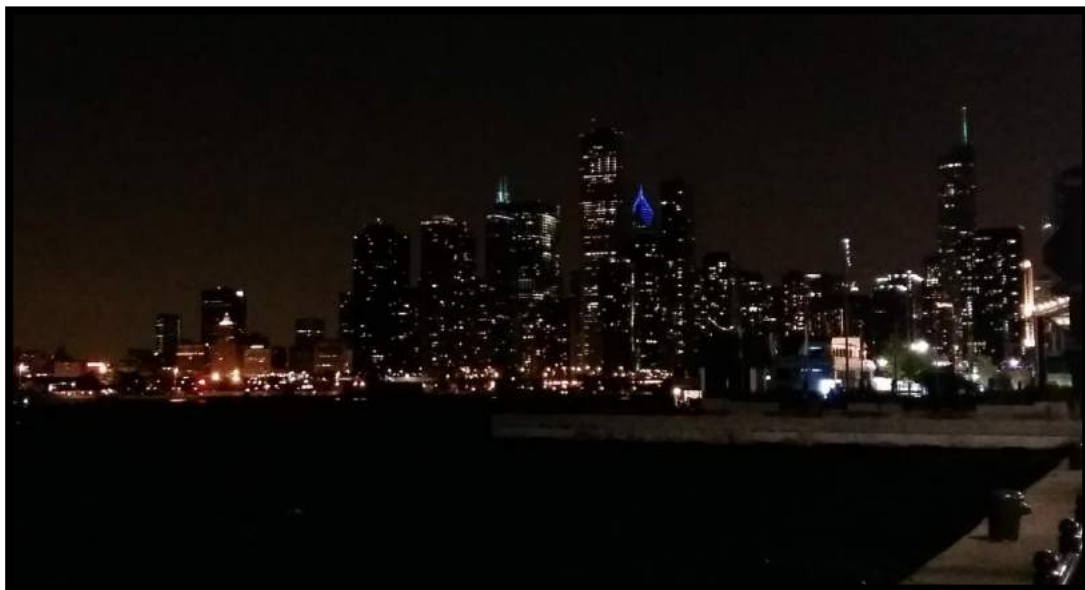
My first time to USA



Fermilab



Chicago



Weekend main trips



Taliesin East (Spring Green)



Green Bay



Milwaukee

New York



My piece of advice is to ... try and go!



Thank you for your attention!