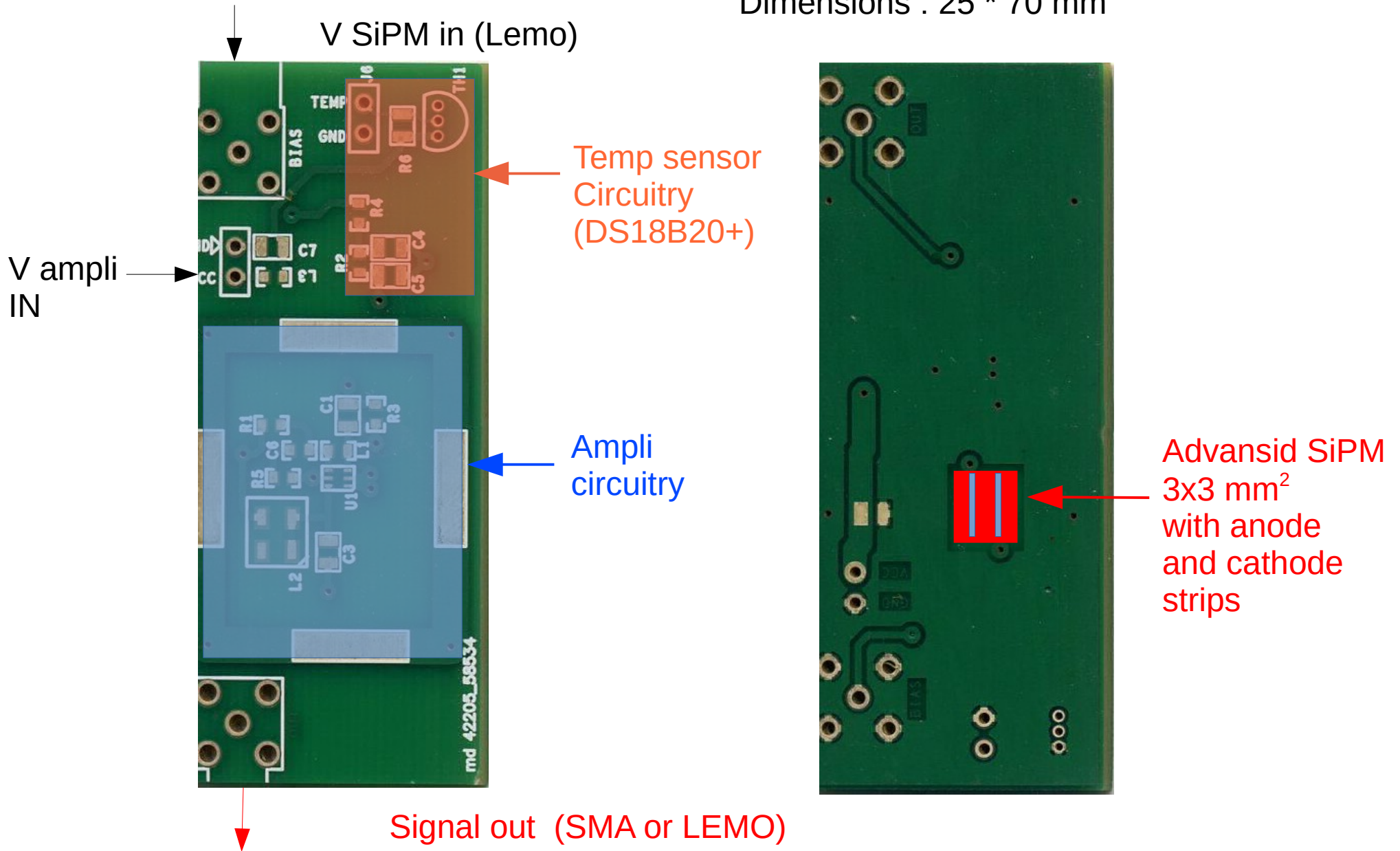


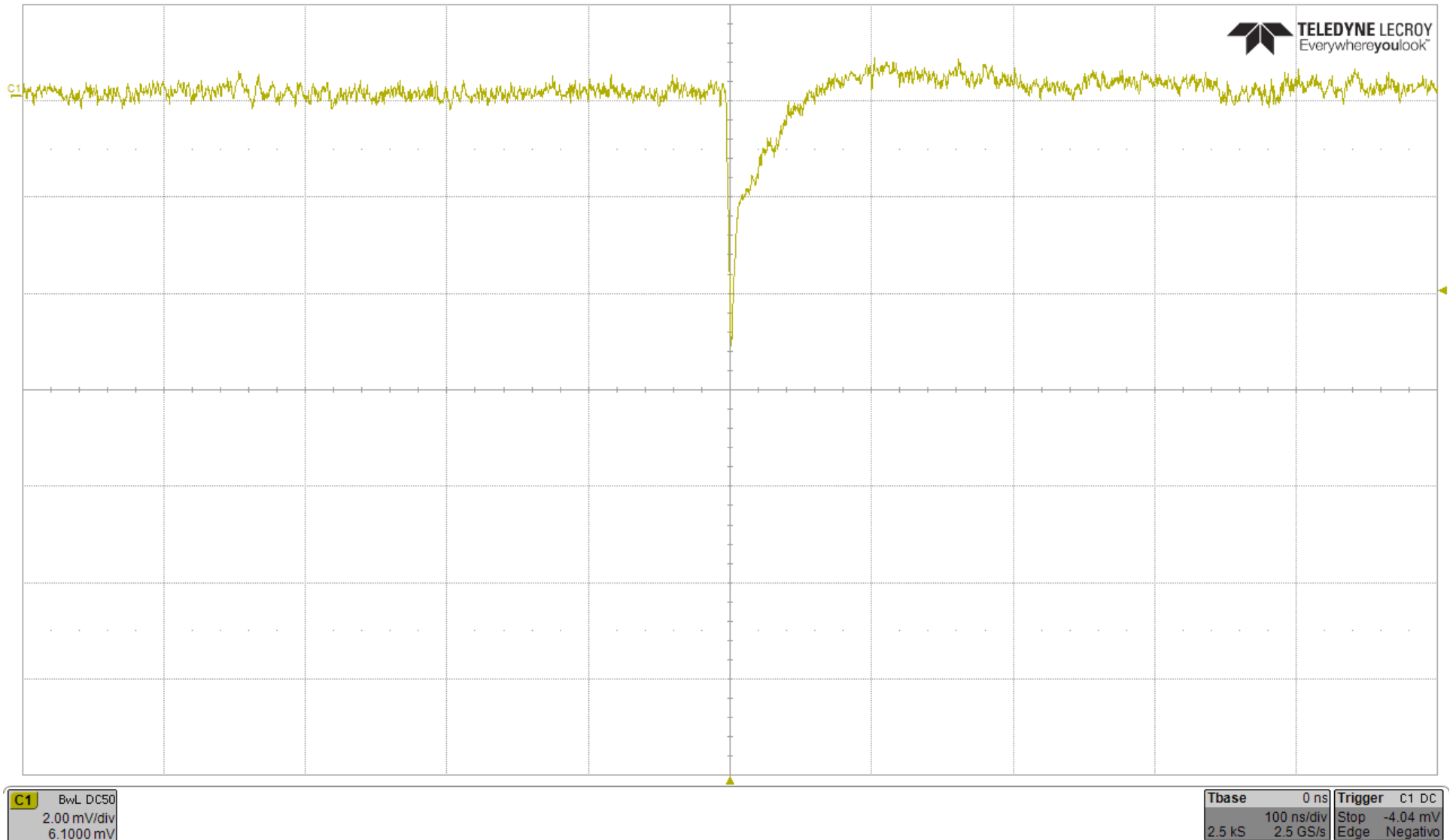
Schedina ampli SiPM@RM1

Dimensions : 25 * 70 mm



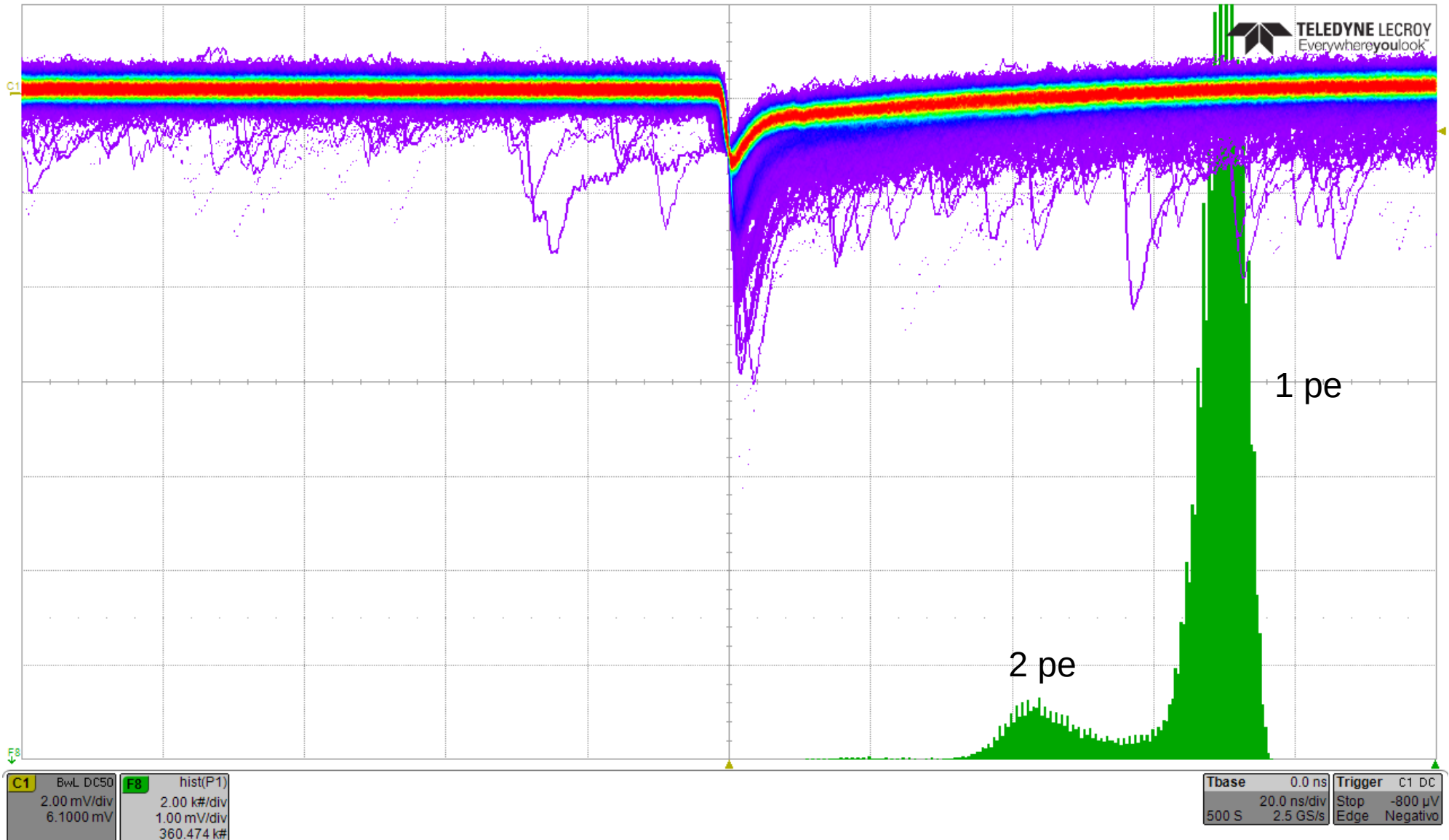
Schedina ampli SiPM@RM1

Single event signal on scope – thermal



Schedina ampli SiPM@RM1

Persistency signal on scope – thermal



Events on 3 cm thick scintillators with SensL SiPM with same amplifier board used @ ~ 29 V – 2 GHz sampling

event 5797642 - Tue Sep 30 17:47:27 2014 - 633353

