



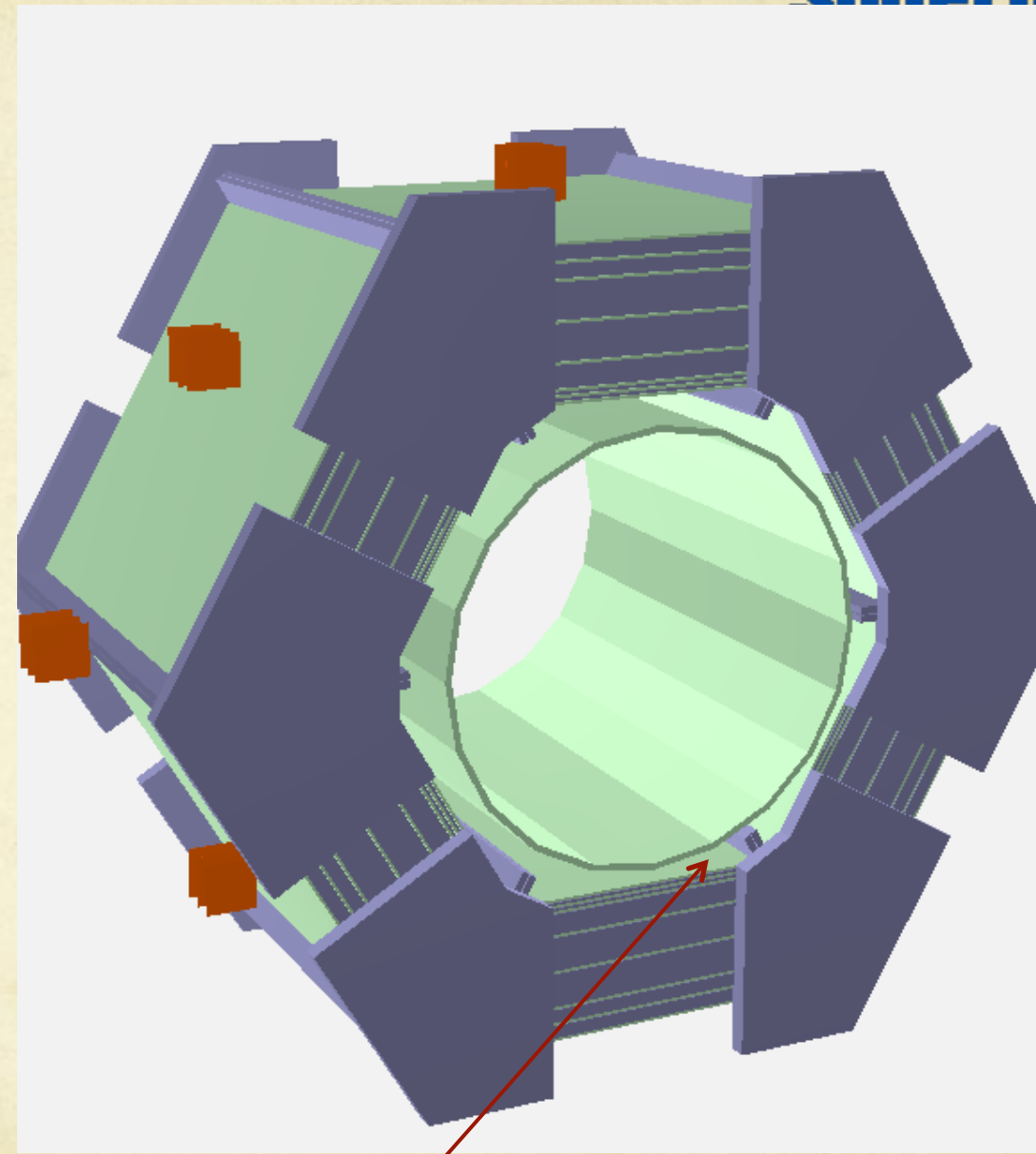
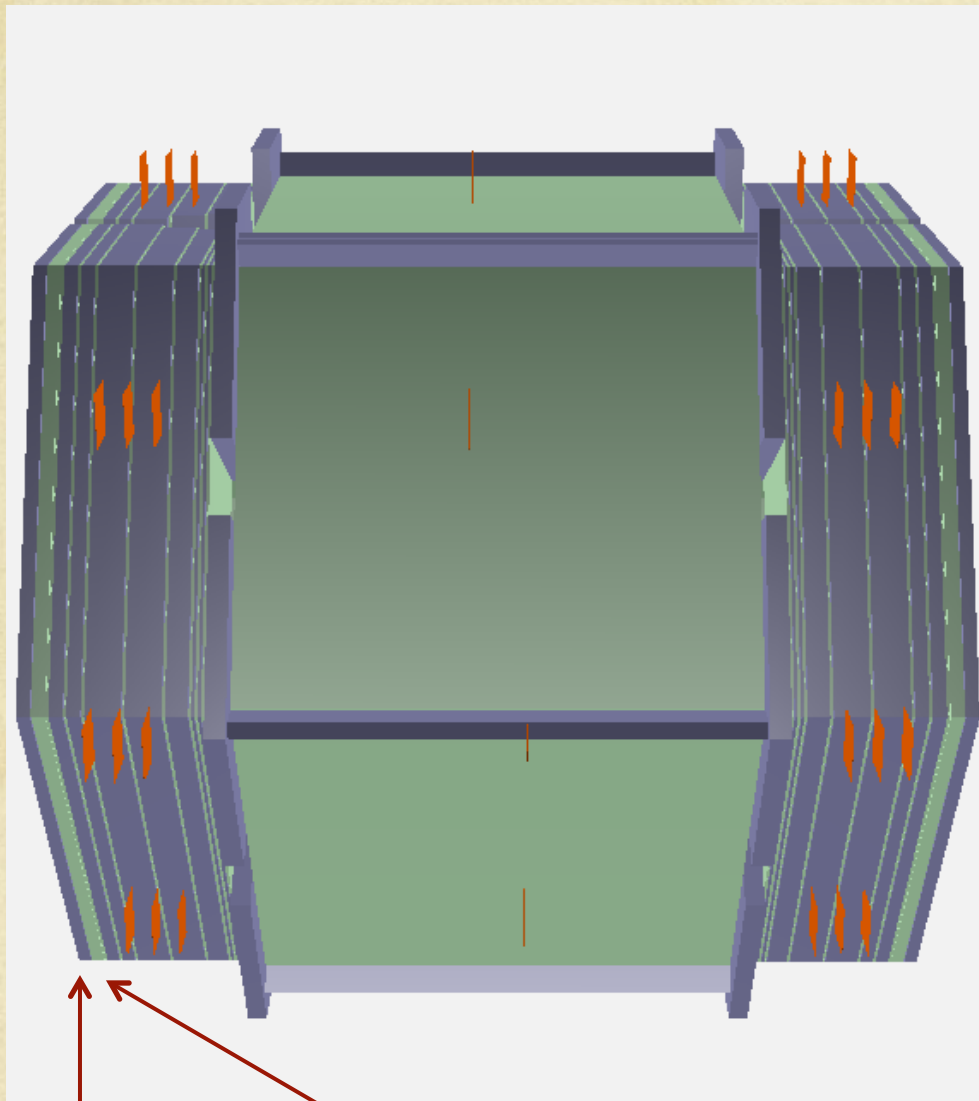
# IFR Background Report

Valentina Santoro  
INFN Ferrara

06/28/2012

SuperB Background Meeting 28 June 2012

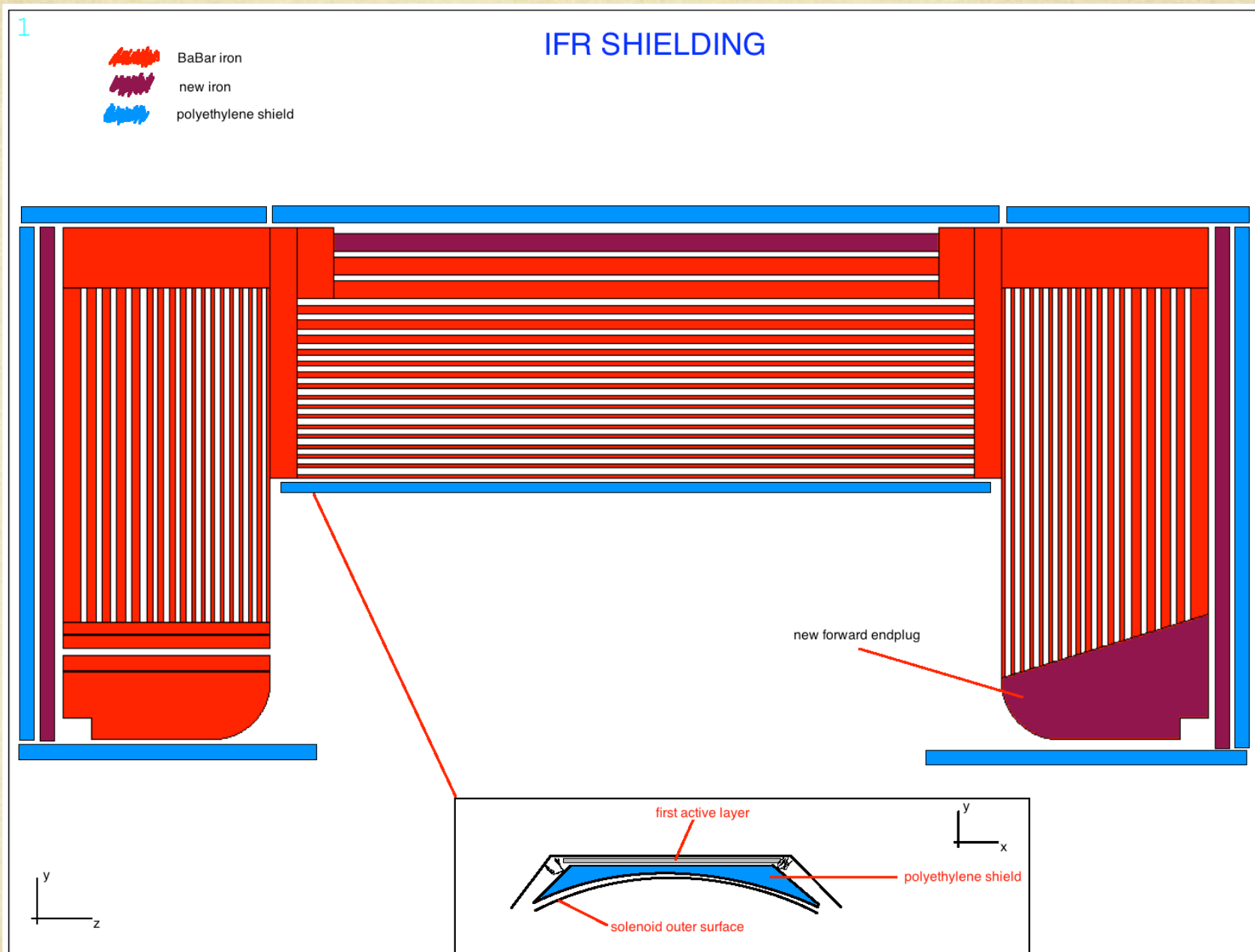
# Our Current Shield Configuration



10 cm of Iron+10 cm PE

5 cm PE

# Shielding conceptual design



This is the proposed design we have still finalized the design since there can be some mechanical difficulties to implement a structure like that