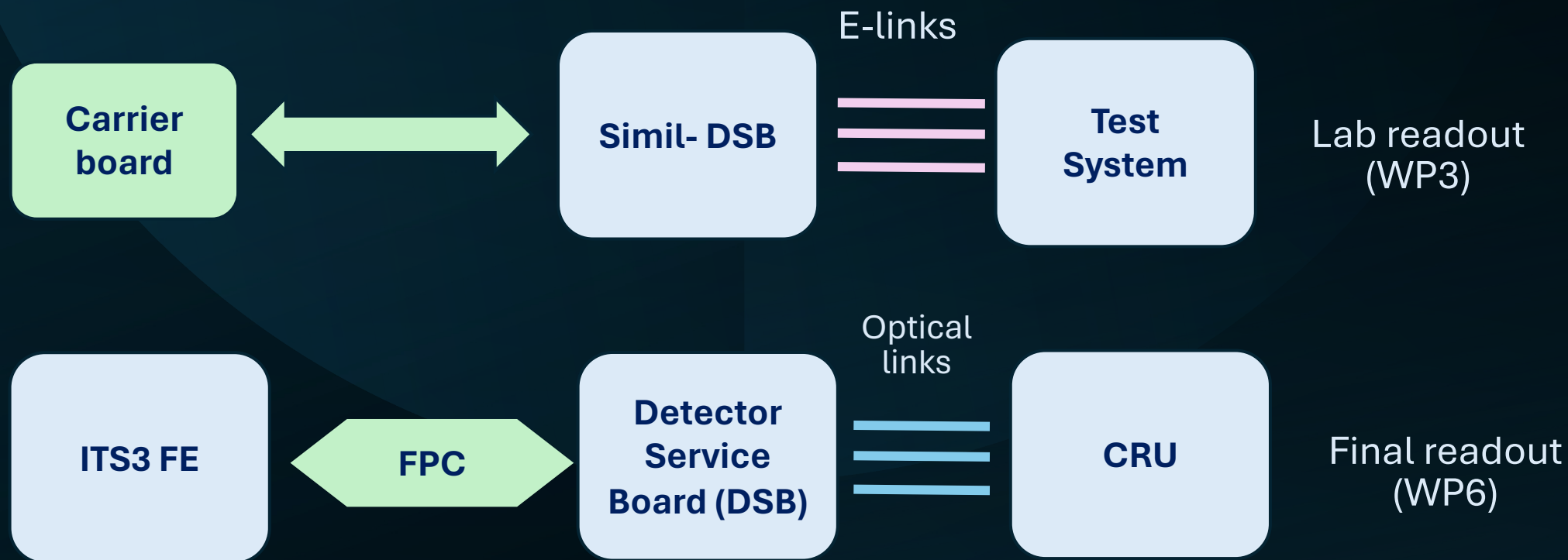


ITS3 readout

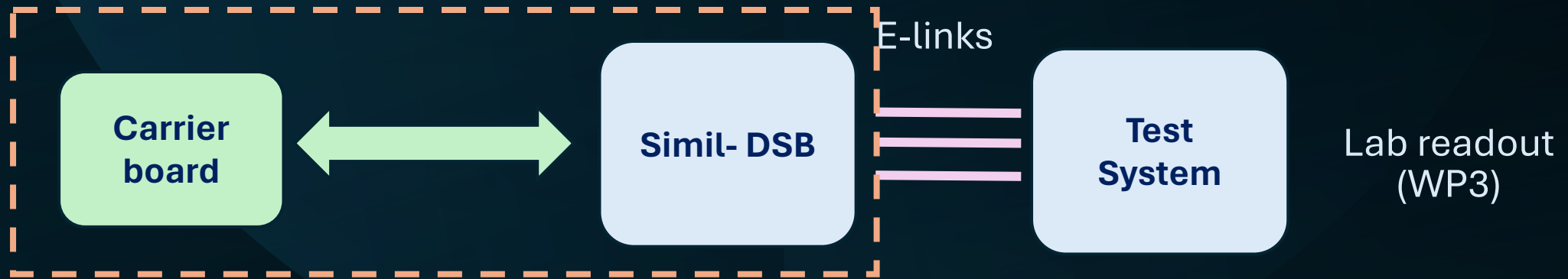
- new proposals from ALICE Italy
(based on internal meetings in the last month)

Piero Giubilato, Sabyasachi Siddhanta

General readout scheme



WP3 readout proposal - Carrier + proximity card



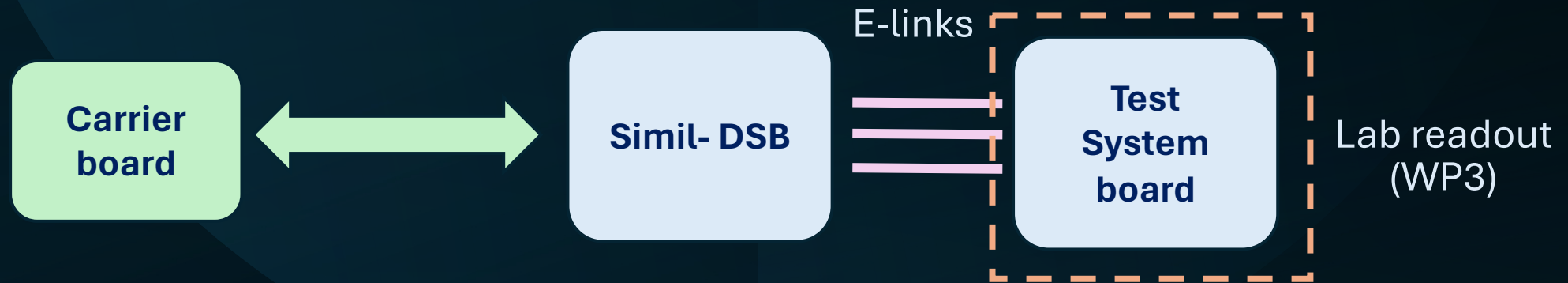
INFN Proposal

Design and test
(BA, PD)

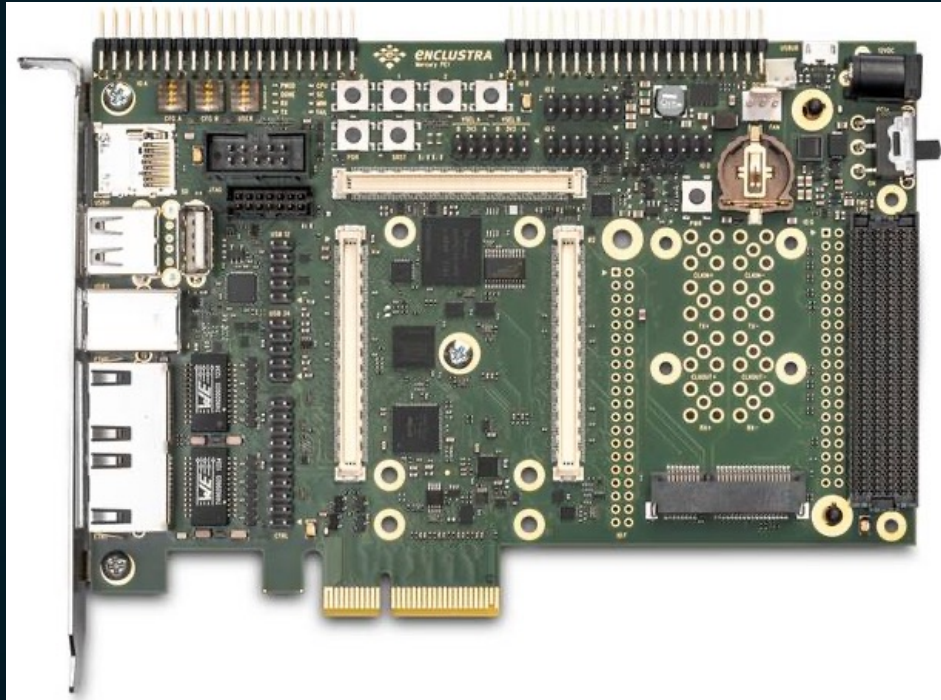
0.85 FTE (2024)

0.75 FTE (2025)

WP3 readout proposal – Test system board



WP3 readout proposal – Test system board



Commercial board

INFN Proposal

S/W, F/W

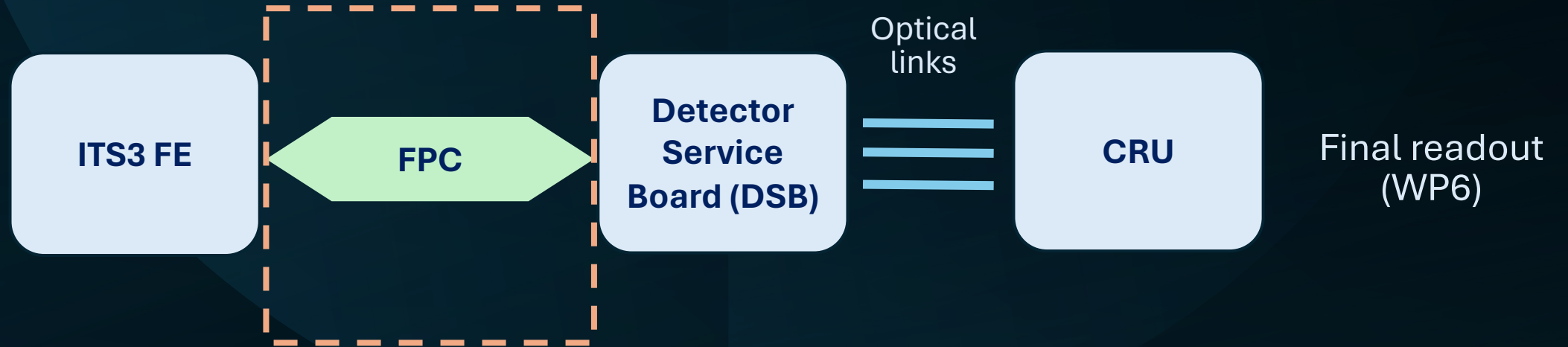
(CA, PD, TO)

2.1 FTE (2024)

1.6 FTE (2025)

0.85 FTE (2026)

WP6 readout proposal - FPC



WP6 readout proposal - FPC

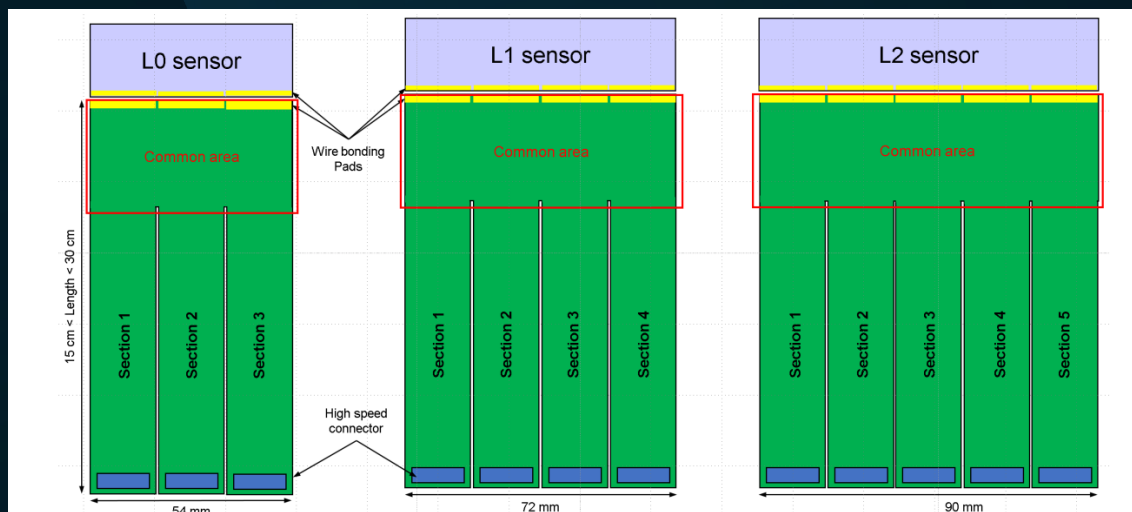
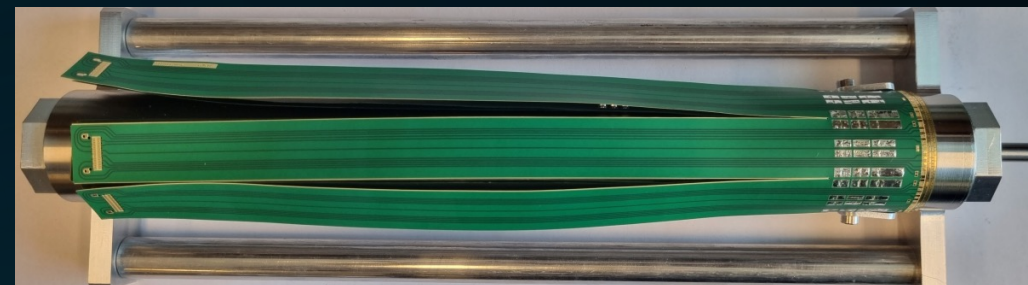


Fig: From WP6 presentation



INFN proposal:

Test and
characterization
(TS)

0.6 FTE (2024)

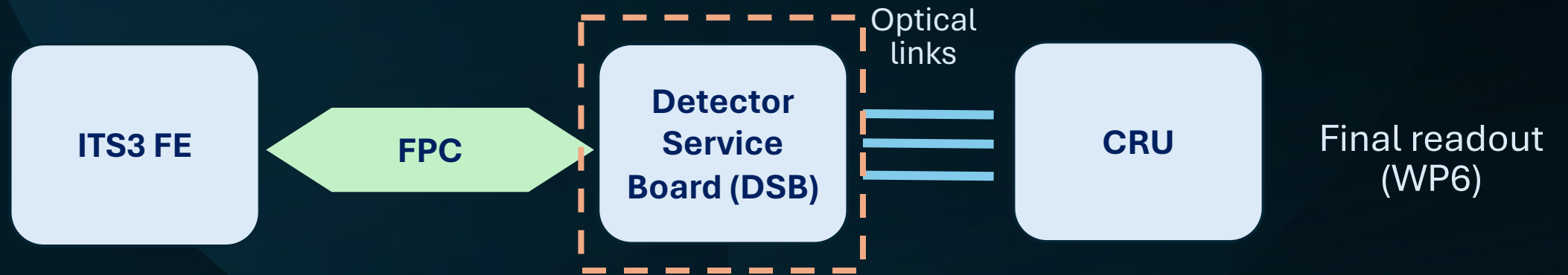
1.2 FTE (2025)

1.0 FTE (2026)

Current status (non-INFN):

- Simulation studies
- 1st prototypes being produced

WP6 readout proposal - DSB



WP6 readout proposal - DSB

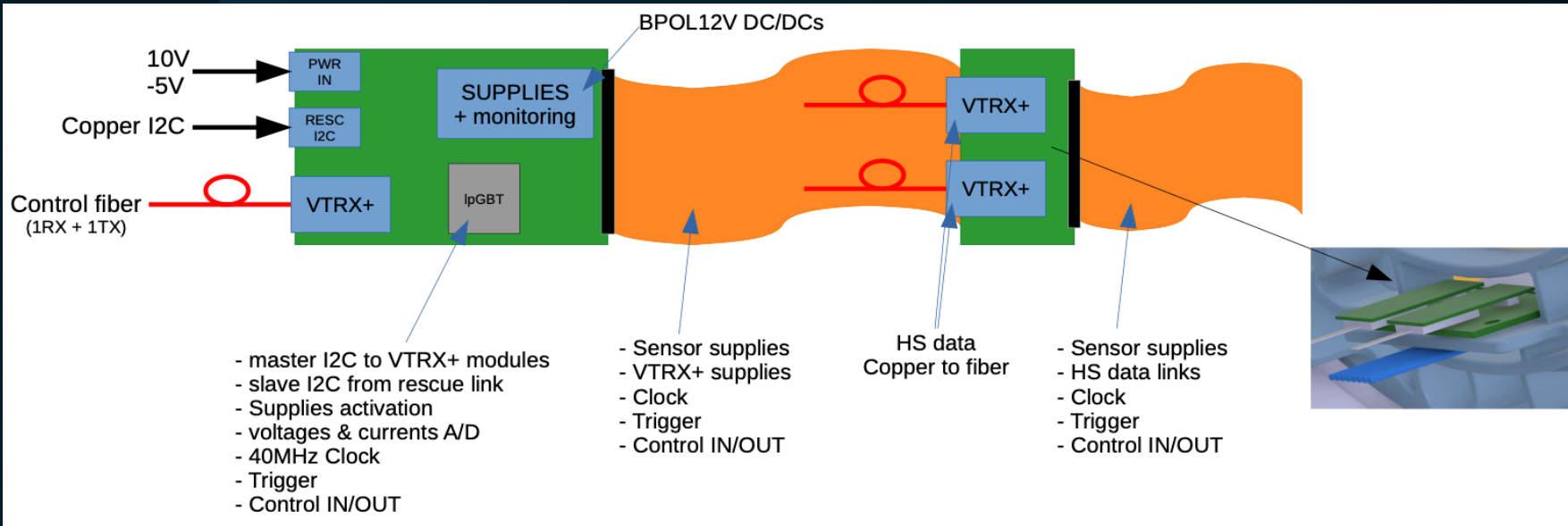
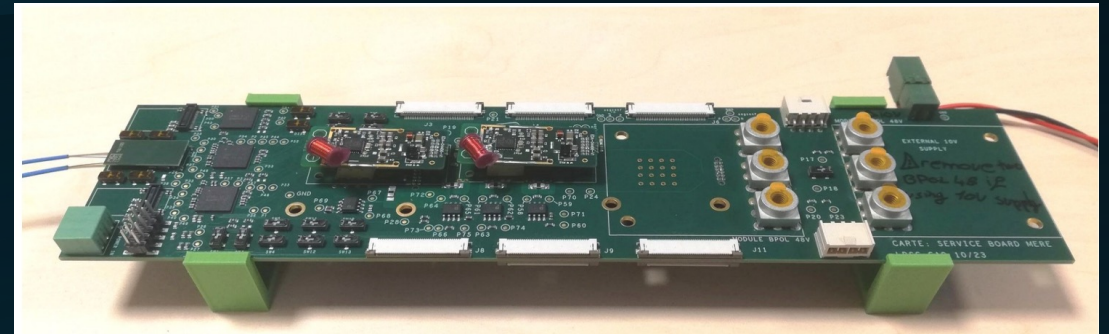


Fig: From WP6 presentation

Current status (non-INFN):

- 1st demonstrator prototypes being tested (right)
- 1st qualifying model overview proposed (top)



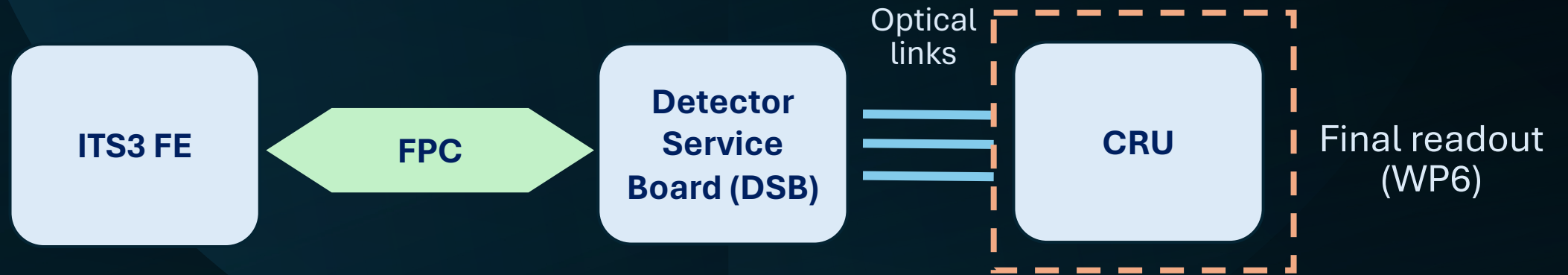
INFN proposal

Design and test
(CA, PD)

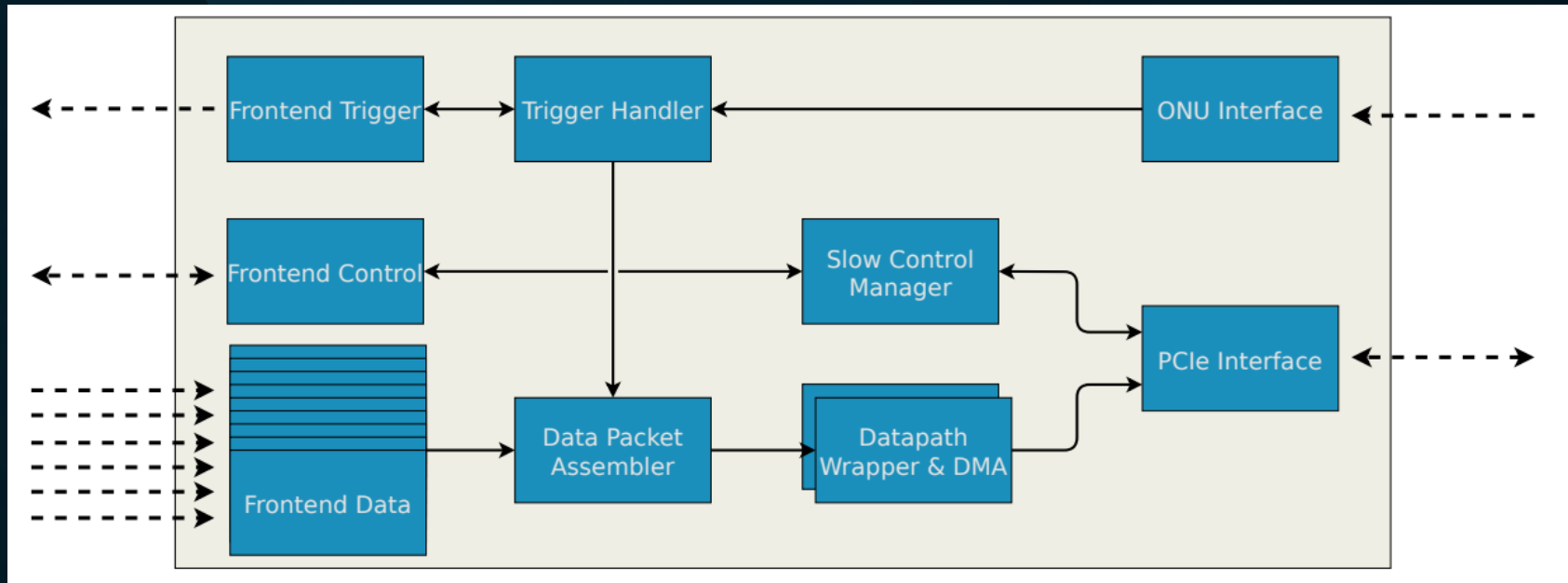
0.7 FTE (2024)

0.8 FTE (2025)

WP6 readout proposal - CRU



WP6 readout proposal - CRU



INFN proposal

F/W
(CA)

0.6 FTE (2024)

0.8 FTE (2025)

0.8 FTE (2026)

0.7 FTE (2027)

0.4 FTE (2028)

Summary

- ▶ Substantial commitment proposed in terms of tasks and FTE on top of (and not affecting) existing commitments (increase by ~ 4FTE/year)
- ▶ Non-INFN groups have already made significant progress on multiple items proposed
- ▶ Proposed FTE commitment to be revisited based on approval decisions from the project